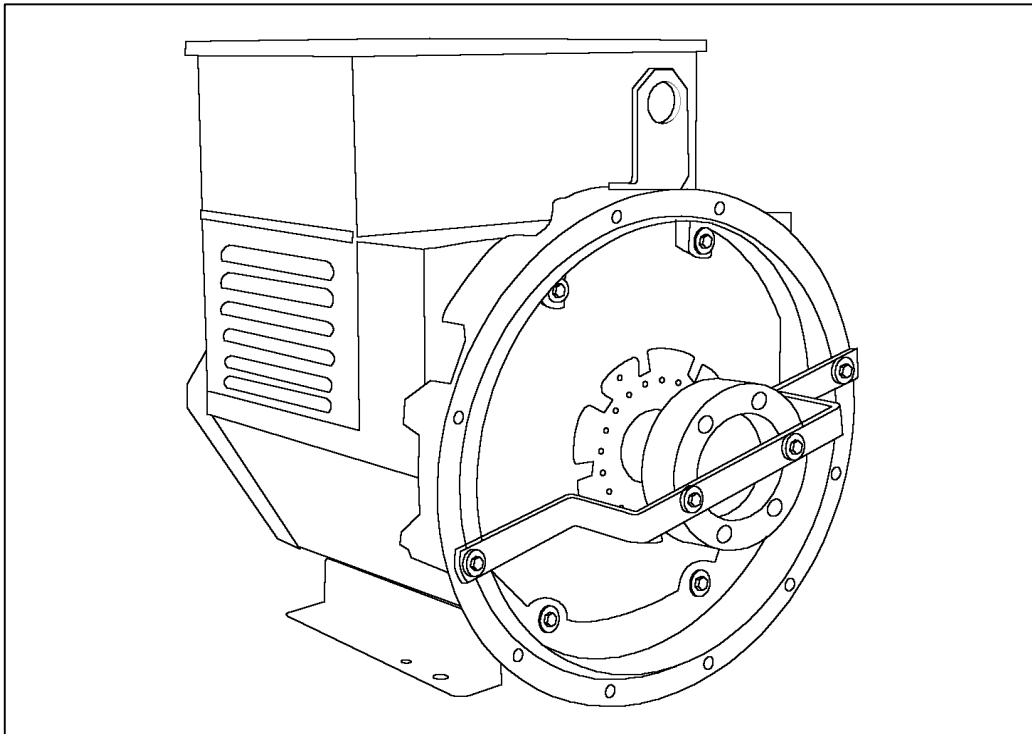


BCL184F - Technical Data Sheet



BCL184F

SPECIFICATIONS & OPTIONS



STANDARDS

Newage Stamford industrial generators meet the requirements of BS EN 60034 and the relevant section of other international standards such as BS5000, VDE 0530, NEMA MG1-32, IEC34, CSA C22.2-100, AS1359.

Other standards and certifications can be considered on request.

VOLTAGE REGULATORS

SX460 AVR - STANDARD

With this self excited control system the main stator supplies power via the Automatic Voltage Regulator (AVR) to the exciter stator. The high efficiency semiconductors of the AVR ensure positive build-up from initial low levels of residual voltage.

The exciter rotor output is fed to the main rotor through a three phase full wave bridge rectifier. This rectifier is protected by a surge suppressor against surges caused, for example, by short circuit.

SA465 AVR

The SA465 shares all the features of the SX460, but additionally will support a range of electronic accessories, such as a 'droop' Current Transformer (CT) to permit parallel operation with other ac generators.

Voltage regulation is improved by use of this AVR.

SX421 AVR

When the SX421 AVR is supplied for use with a BC generator, it will be supplied loose for fitting in the set builder's control panel.

This AVR also operates in a self-excited system. It combines all the features of the SA465 with, additionally, three-phase rms sensing for improved regulation and performance. Over voltage protection is provided via a separate circuit breaker. An engine relief load acceptance feature is built in as standard..

WINDINGS & ELECTRICAL PERFORMANCE

All generator stators are wound to 2/3 pitch. This eliminates triplen (3rd, 9th, 15th ...) harmonics on the voltage waveform and is found to be the optimum design for trouble-free supply of non-linear loads. The 2/3 pitch design avoids excessive neutral currents sometimes seen with higher winding pitches, when in parallel with the mains. A fully connected damper winding reduces oscillations during paralleling. This winding, with the 2/3 pitch and carefully selected pole and tooth designs, ensures very low waveform distortion.

TERMINALS & TERMINAL BOX

Standard generators are 3-phase reconnectable with 12 ends brought out to the terminals, which are mounted on a cover at the non-drive end of the generator. A sheet steel terminal box contains the AVR and provides ample space for the customers' wiring and gland arrangements. It has removable panels for easy access.

SHAFT & KEYS

All generator rotors are dynamically balanced to better than BS6861:Part 1 Grade 2.5 for minimum vibration in operation.

INSULATION/IMPREGNATION

The insulation system is class 'H'.

All wound components are impregnated with materials and processes designed specifically to provide the high build required for static windings and the high mechanical strength required for rotating components.

QUALITY ASSURANCE

Generators are manufactured using production procedures having a quality assurance level to BS EN ISO 9001.

The stated voltage regulation may not be maintained in the presence of certain radio transmitted signals. Any change in performance will fall within the limits of Criteria 'B' of EN 61000-6-2:2001. At no time will the steady-state voltage regulation exceed 2%.

NB Continuous development of our products entitles us to change specification details without notice, therefore they must not be regarded as binding.

Front cover drawing typical of product range.

BCL184F WINDING 311

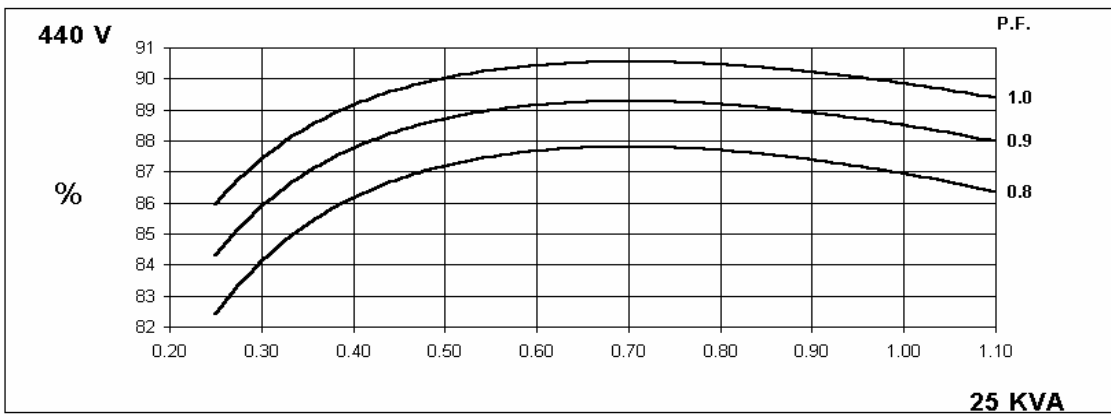
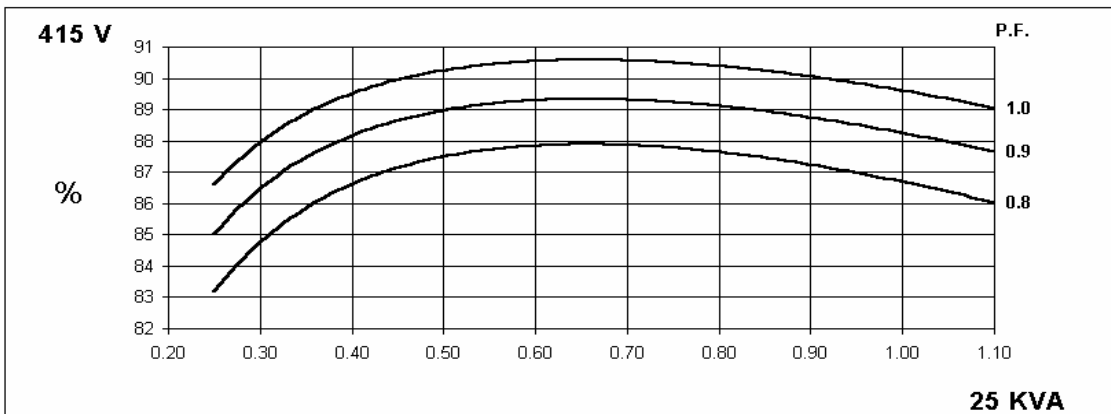
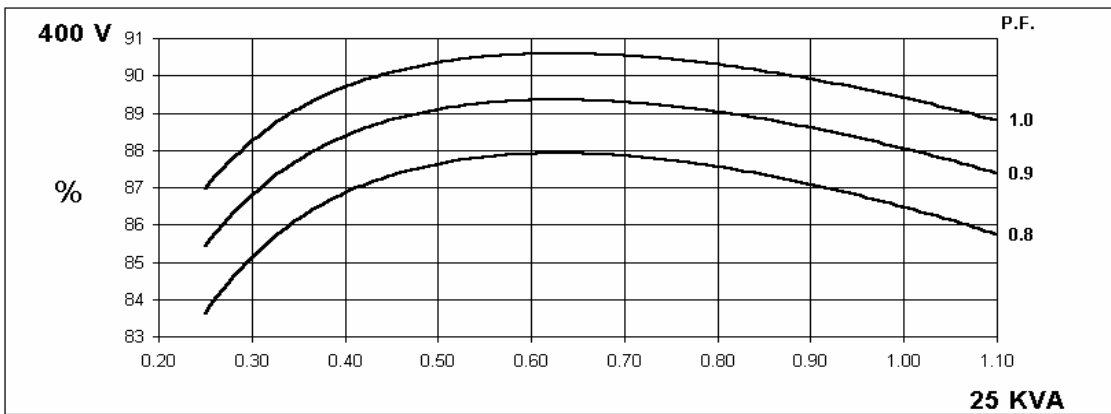
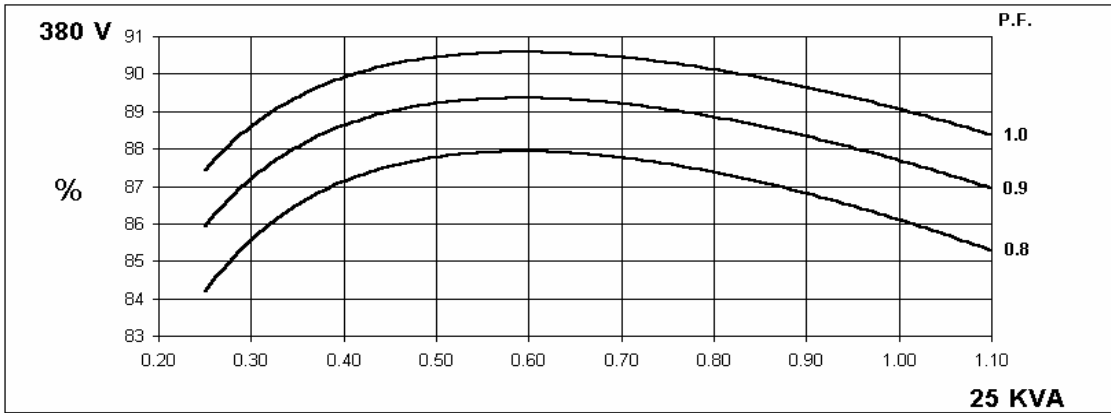
| | | | | | | | | |
|--|--|---------|----------------|---|------------------------|---------|---------|---------|
| CONTROL SYSTEM | SELF EXCITED | | | | | | | |
| A.V.R. | STANDARD SX460 | | OPTIONAL SA465 | | SX421 (SUPPLIED LOOSE) | | | |
| VOLTAGE REGULATION | ± 1.5 % | | ± 1.0 % | | ± 0.5 % | | | |
| SUSTAINED SHORT CIRCUIT | SELF EXCITED MACHINES DO NOT SUSTAIN A SHORT CIRCUIT CURRENT | | | | | | | |
| INSULATION SYSTEM | CLASS H | | | | | | | |
| PROTECTION | IP23 | | | | | | | |
| RATED POWER FACTOR | 0.8 | | | | | | | |
| STATOR WINDING | DOUBLE LAYER CONCENTRIC | | | | | | | |
| WINDING PITCH | TWO THIRDS | | | | | | | |
| WINDING LEADS | 12 | | | | | | | |
| STATOR WDG. RESISTANCE | 0.25 Ohms PER PHASE AT 22°C SERIES STAR CONNECTED | | | | | | | |
| ROTOR WDG. RESISTANCE | 0.74 Ohms at 22°C | | | | | | | |
| EXCITER STATOR RESISTANCE | 22 Ohms at 22°C | | | | | | | |
| EXCITER ROTOR RESISTANCE | 0.115 Ohms PER PHASE AT 22°C | | | | | | | |
| R.F.I. SUPPRESSION | BS EN 61000-6-2 & BS EN 61000-6-4, VDE 0875G, VDE 0875N. refer to factory for others | | | | | | | |
| WAVEFORM DISTORTION | NO LOAD < 1.5% NON-DISTORTING BALANCED LINEAR LOAD < 5.0% | | | | | | | |
| MAXIMUM OVERSPEED | 2250 Rev/Min | | | | | | | |
| BEARING NON-DRIVE END | BALL. 6306 - 2RS. (ISO) | | | | | | | |
| WEIGHT COMP. GENERATOR | 151 kg | | | | | | | |
| WEIGHT WOUND STATOR | 55 kg | | | | | | | |
| WEIGHT WOUND ROTOR | 49.74 kg | | | | | | | |
| SHIPPING WEIGHTS in a crate | 170 kg | | | | | | | |
| PACKING CRATE SIZE | 64 x 54 x 72 (cm) | | | | | | | |
| | 50 Hz | | | | 60 Hz | | | |
| TELEPHONE INTERFERENCE | THF<2% | | | | TIF<50 | | | |
| COOLING AIR | 0.071 m³/sec 150 cfm | | | | 0.09 m³/sec 191 cfm | | | |
| VOLTAGE SERIES STAR | 380/220 | 400/231 | 415/240 | 440/254 | 416/240 | 440/254 | 460/266 | 480/277 |
| VOLTAGE PARALLEL STAR | 190/110 | 200/115 | 208/120 | 220/127 | 208/120 | 220/127 | 230/133 | 240/138 |
| VOLTAGE SERIES DELTA | 220/110 | 230/115 | 240/120 | 254/127 | 240/120 | 254/127 | 266/133 | 277/138 |
| KVA BASE RATING FOR REACTANCE VALUES | 25 | 25 | 25 | 20.5 | 27 | 30 | 30 | 30 |
| X _d DIR. AXIS SYNCHRONOUS | 1.662 | 1.500 | 1.394 | 1.512 | 1.797 | 1.784 | 1.633 | 1.500 |
| X' _d DIR. AXIS TRANSIENT | 0.172 | 0.155 | 0.144 | 0.156 | 0.175 | 0.173 | 0.158 | 0.145 |
| X'' _d DIR. AXIS SUBTRANSIENT | 0.111 | 0.100 | 0.093 | 0.100 | 0.123 | 0.122 | 0.111 | 0.103 |
| X _q QUAD. AXIS REACTANCE | 0.836 | 0.755 | 0.701 | 0.760 | 0.903 | 0.898 | 0.822 | 0.755 |
| X'' _q QUAD. AXIS SUBTRANSIENT | 0.192 | 0.174 | 0.161 | 0.174 | 0.205 | 0.203 | 0.187 | 0.171 |
| X _L LEAKAGE REACTANCE | 0.066 | 0.060 | 0.055 | 0.061 | 0.073 | 0.072 | 0.065 | 0.061 |
| X ₂ NEGATIVE SEQUENCE | 0.151 | 0.136 | 0.126 | 0.138 | 0.164 | 0.164 | 0.149 | 0.137 |
| X ₀ ZERO SEQUENCE | 0.073 | 0.066 | 0.061 | 0.066 | 0.078 | 0.077 | 0.071 | 0.065 |
| REACTANCES ARE SATURATED | | | | VALUES ARE PER UNIT AT RATING AND VOLTAGE INDICATED | | | | |
| T' _d TRANSIENT TIME CONST. | 0.022 s | | | | | | | |
| T'' _d SUB-TRANSTIME CONST. | 0.0035 s | | | | | | | |
| T' _{do} O.C. FIELD TIME CONST. | 0.45 s | | | | | | | |
| T _a ARMATURE TIME CONST. | 0.0065 s | | | | | | | |
| SHORT CIRCUIT RATIO | 1/X _d | | | | | | | |

**50
Hz**

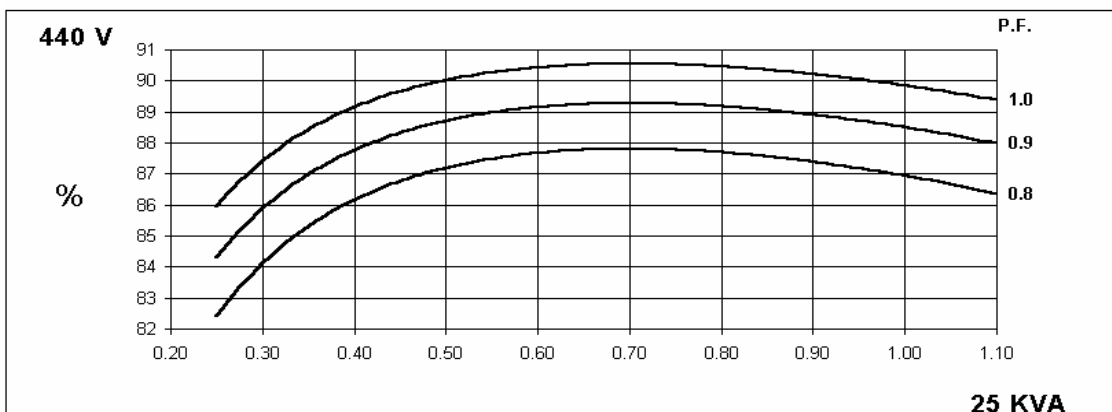
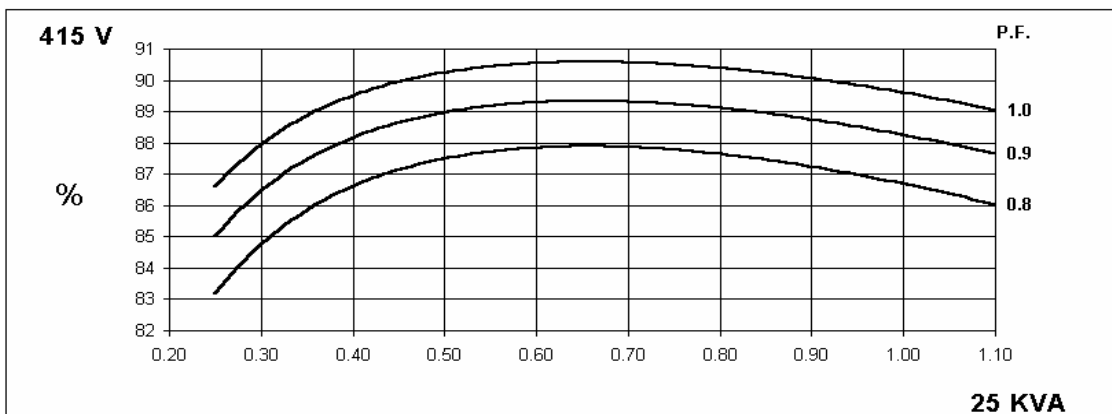
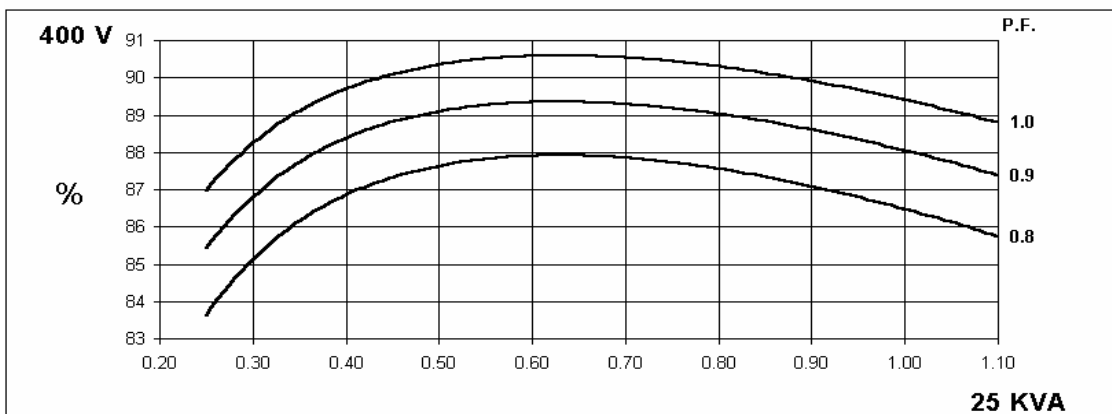
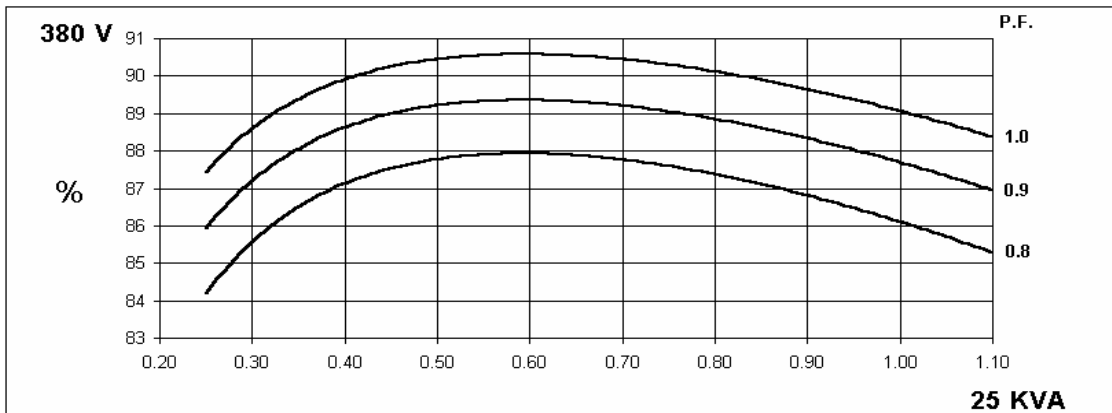
BCL184F
Winding 311



THREE PHASE EFFICIENCY CURVES



THREE PHASE EFFICIENCY CURVES

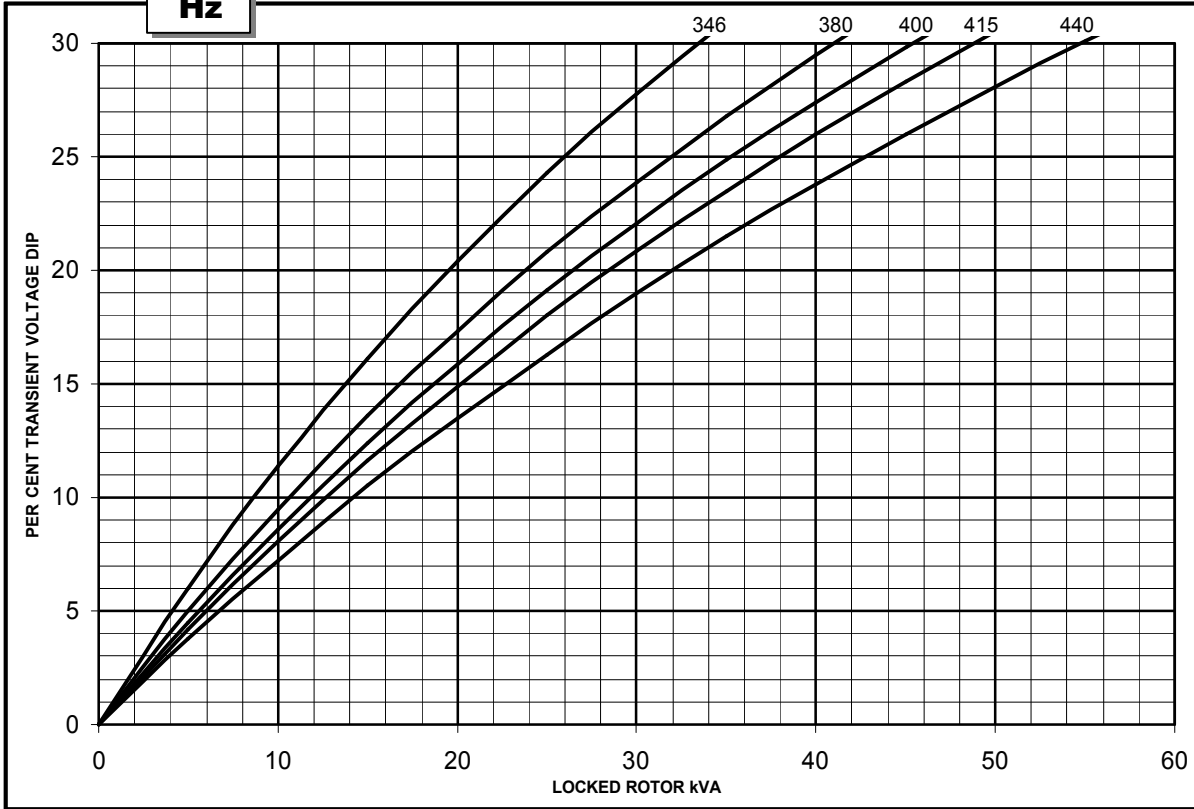


BCL184F
Winding 311

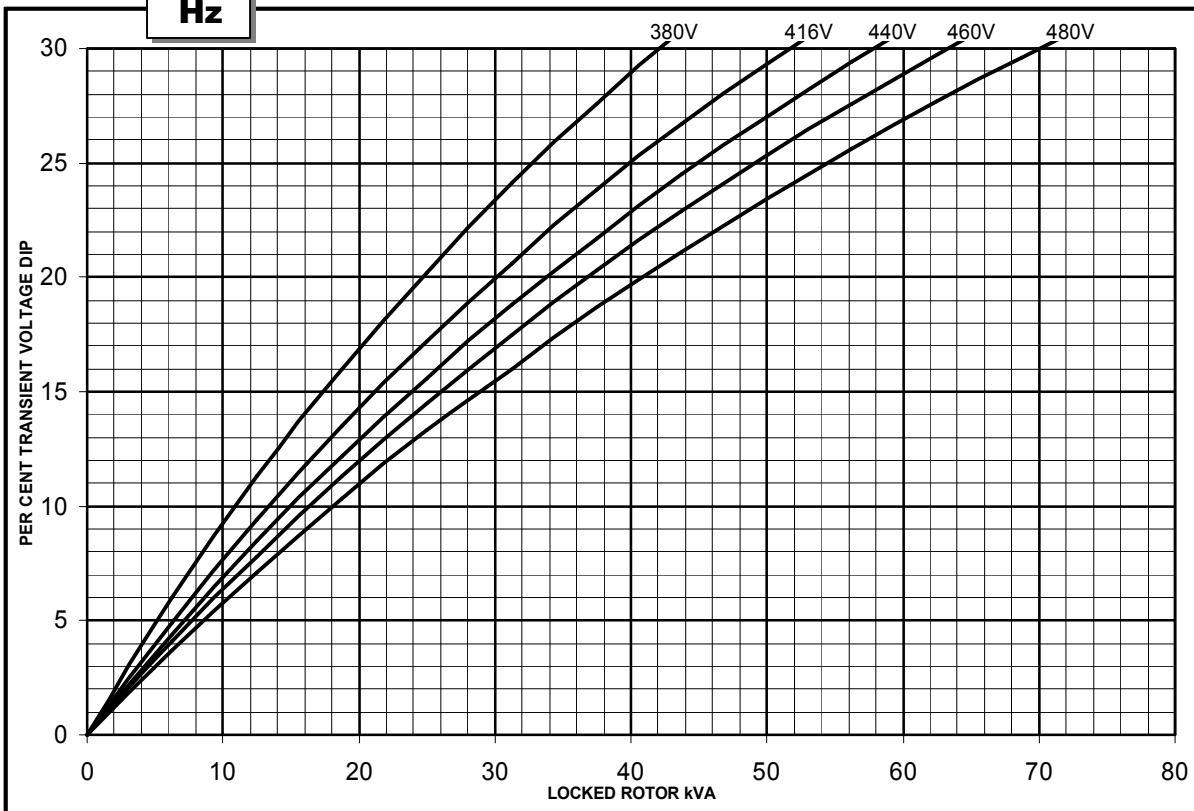


Locked Rotor Motor Starting Curve

**50
Hz**



**60
Hz**



Page left blank intentionally

BCL184F

Winding 311 / 0.8 Power Factor

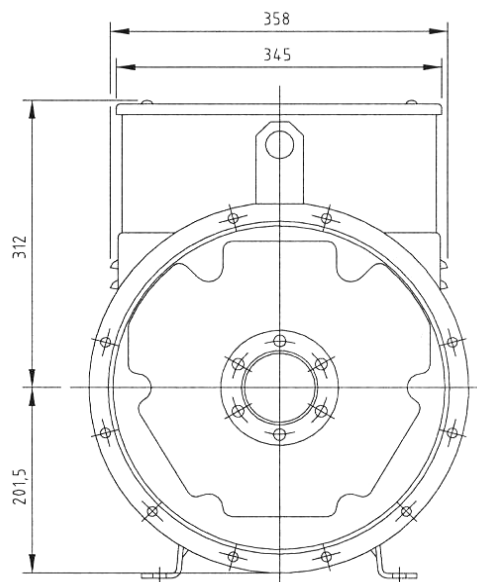
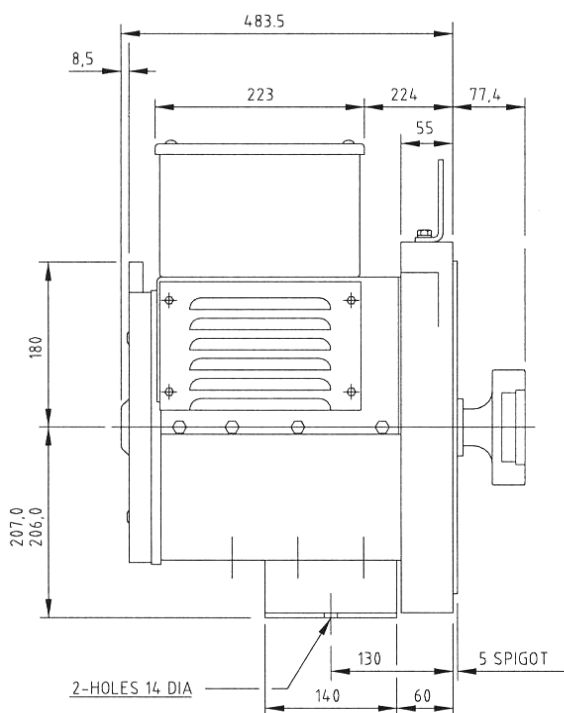


RATINGS

| Class - Temp Rise | Cont. F - 105/40°C | | | | Cont. H - 125/40°C | | | | Standby - 150/40°C | | | | Standby - 163/27°C | | | | |
|-------------------|--------------------|------|------|------|--------------------|------|------|------|--------------------|-----|-----|-----|--------------------|-----|-----|-----|-----|
| 50 Hz | Series Star (V) | 380 | 400 | 415 | 440 | 380 | 400 | 415 | 440 | 380 | 400 | 415 | 440 | 380 | 400 | 415 | 440 |
| | Parallel Star (V) | 190 | 200 | 208 | 220 | 190 | 200 | 208 | 220 | 190 | 200 | 208 | 220 | 190 | 200 | 208 | 220 |
| | Series Delta (V) | 220 | 230 | 240 | 254 | 220 | 230 | 240 | 254 | 220 | 230 | 240 | 254 | 220 | 230 | 240 | 254 |
| kVA | 22.9 | 22.9 | 22.9 | 16.8 | 25.0 | 25.0 | 25.0 | 20.5 | N/A | | | | N/A | | | | |
| kW | 18.3 | 18.3 | 18.3 | 13.4 | 20.0 | 20.0 | 20.0 | 16.4 | | | | | | | | | |
| Efficiency (%) | 86.7 | 87.0 | 87.2 | 87.3 | 86.1 | 86.5 | 86.7 | 86.9 | | | | | | | | | |
| kW Input | 21.1 | 21.1 | 21.0 | 21.0 | 23.2 | 23.1 | 23.1 | 23.0 | | | | | | | | | |

| | | | | | | | | | | | | | | | | | |
|----------------|-------------------|------|------|------|------|------|------|------|-----|-----|-----|-----|-----|-----|-----|-----|-----|
| 60 Hz | Series Star (V) | 416 | 440 | 460 | 480 | 416 | 440 | 460 | 480 | 416 | 440 | 460 | 480 | 416 | 440 | 460 | 480 |
| | Parallel Star (V) | 208 | 220 | 230 | 240 | 208 | 220 | 230 | 240 | 208 | 220 | 230 | 240 | 208 | 220 | 230 | 240 |
| | Series Delta (V) | 240 | 254 | 266 | 277 | 240 | 254 | 266 | 277 | 240 | 254 | 266 | 277 | 240 | 254 | 266 | 277 |
| kVA | 24.7 | 27.5 | 27.5 | 27.5 | 27.0 | 30.0 | 30.0 | 30.0 | N/A | | | | N/A | | | | |
| kW | 19.8 | 22.0 | 22.0 | 22.0 | 21.6 | 24.0 | 24.0 | 24.0 | | | | | | | | | |
| Efficiency (%) | 87.2 | 87.1 | 87.3 | 87.5 | 86.8 | 86.6 | 86.9 | 87.1 | | | | | | | | | |
| kW Input | 22.7 | 25.3 | 25.2 | 25.1 | 24.9 | 27.7 | 27.6 | 27.6 | | | | | | | | | |

DIMENSIONS



Barnack Road • Stamford • Lincolnshire • PE9 2NB
Tel: 00 44 (0)1780 484000 • Fax: 00 44 (0)1780 484100
Website: www.newage-avkseg.com