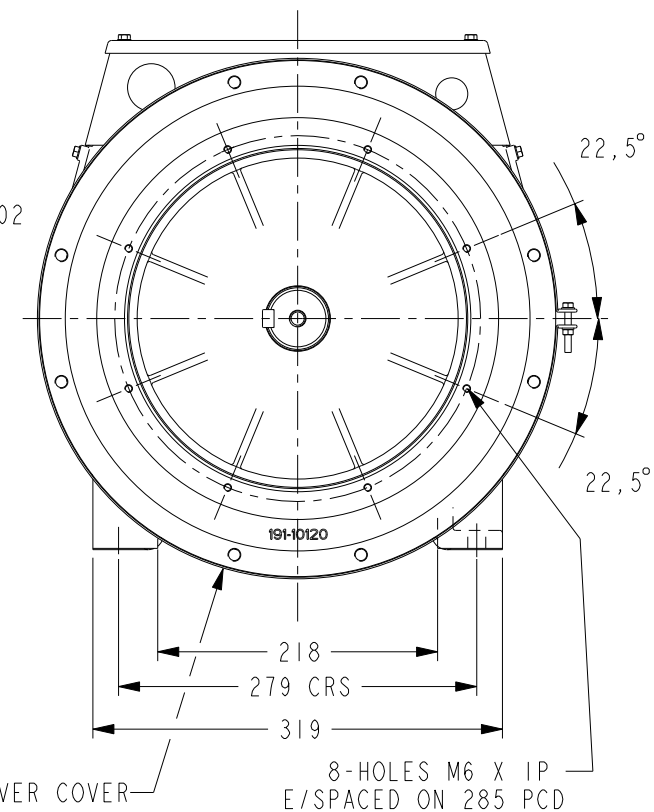
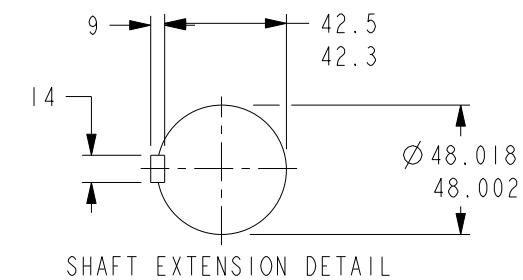
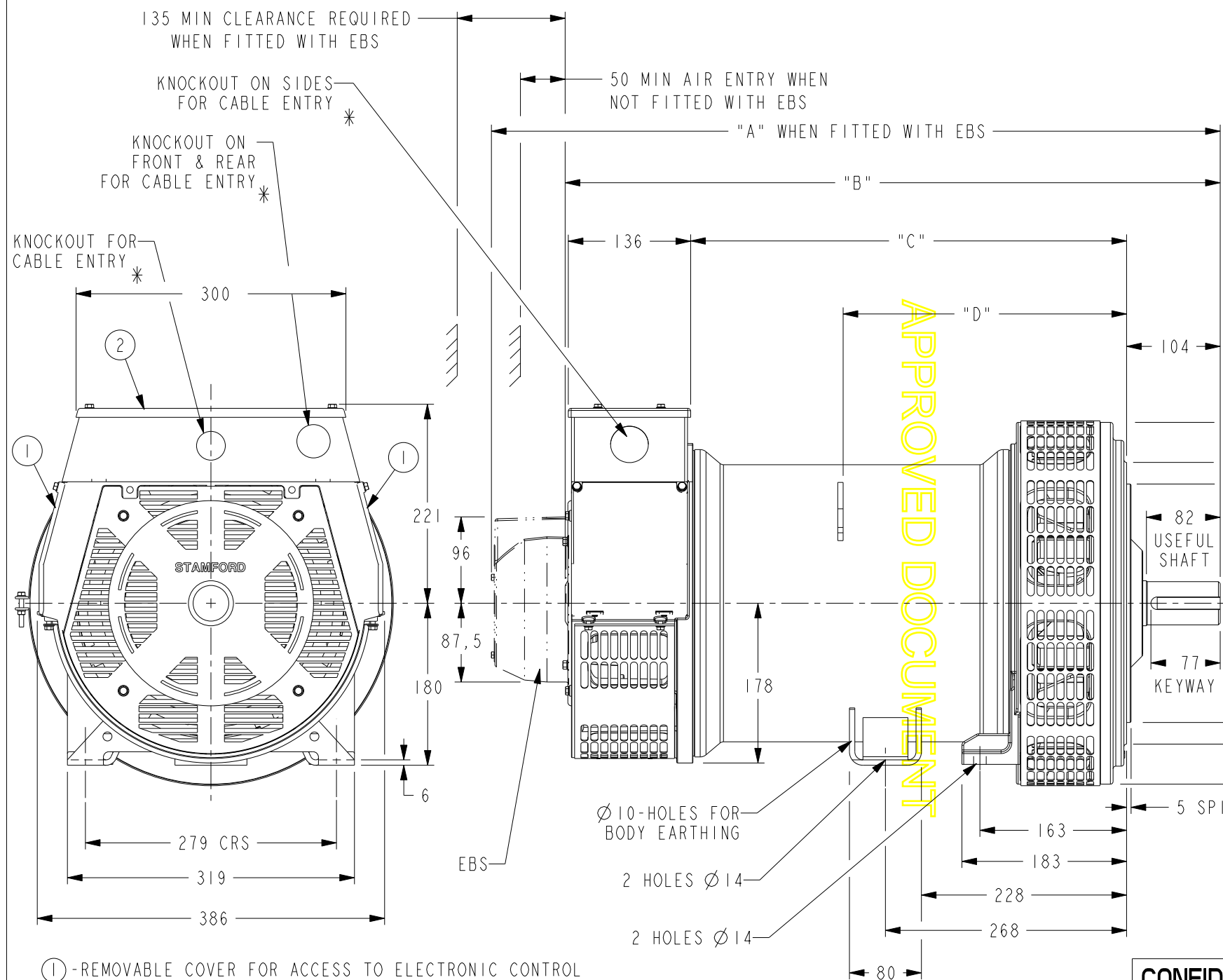


DRG. SIZE C	REL. PHASE P	PART No 19-1037	ISSUE D
----------------	-----------------	--------------------	------------

IF IN DOUBT-ASK
DO NOT SCALE

DIMENSIONS					
FRAME	"A"	"B"	"C"	"D"	NETT WT. (Kg)
PI4H2 / PI2H2	780	698	455	300	175.5
PI4J2 / PI2J2	810	728	485	315	187
PI4K2	825	743	500	321	196



- ① - REMOVABLE COVER FOR ACCESS TO ELECTRONIC CONTROL
- ② - REMOVABLE COVER FOR ACCESS TO MAIN TERMINALS
- * FOR KNOCKOUT DETAILS REFER TERMINAL BOX DRAWING

MOD.	ISSUE	DRAWN	DATE	MODIFICATION
4-9346-54	D	BSR	20/02/08	NOTE FOR KNOCKOUT DETAILS ADDED
4-9346-21	C	DW	21/1/08	CORRECTED DIM 'D', UPDATED T/BOX
4-9111-10	B	DW	9/7/07	ADDED 2-POLE DETAILS TO TABLE
4-8440-97	A	BSR	21.06.07	ORIGINAL ISSUE

CONFIDENTIAL	PROPERTY OF CUMMINS GENERATOR TECHNOLOGIES LTD.		PI H/J/K	
	DIMENSIONS IN MILLIMETRES (MM) AT 20°C		2-BRG ALTERNATOR	
UNLIMITED DIMS ± --	PROJECTION 		DRG. SIZE C	SCALE 3:10
	DRAWN BSR 21.06.07	CHECKED DW 21/1/08	REL. PHASE P	PART No 19-1037
APPROVED SMH 21/1/08		PRO/ENGINEER	SHEET 1 OF 1	ISSUE D SHEETS