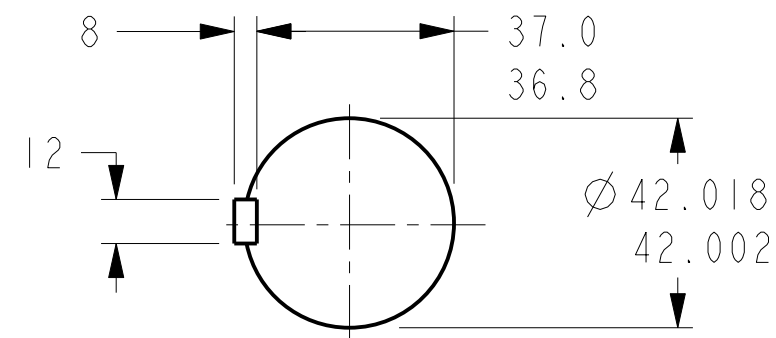


DRG. SIZE C	REL. PHASE P	PART No 19-1046	ISSUE B
----------------	-----------------	--------------------	------------

IF IN DOUBT-ASK  
DO NOT SCALE

FRAME	A	B	C	D	NETT WT. (Kg)
P02E2	520	310	221	602	93
P04F2	520	310	221	602	98
P02F2	520	310	221	602	99
P04G2	520	310	221	602	105
P02G2	535	325	236	617	104
P04H2	535	325	236	617	116



SHAFT EXTENSION DETAIL

ADAPTOR DIMENSIONS

SAE	"M"	"N"	"P"	"U"	"V"	"W"	"X"
2	12	11	466.7	15°	432	447.6	495
3	12	11	428.6	15°	396	409.5	451
4	12	11	381.0	15°	352	361.9	403
5	8	11	333.3	22.5°	301	314.3	356

135 MIN CLEARANCE REQUIRED  
WHEN FITTED WITH EBS

KNOCKOUT ON SIDES  
FOR CABLE ENTRY \*

50 MIN AIR ENTRY WHEN  
NOT FITTED WITH EBS

KNOCKOUT ON FRONT  
AND REAR OR CABLE ENTRY \*

\* KNOCKOUT  
FOR CABLE  
ENTRY

"D" WHEN FITTED WITH EBS

"A"

"B"

"C"

6 SPIGOT

12 FLANGE

Ø "X"  
FLANGE FACE

Ø "W"

Ø "V"

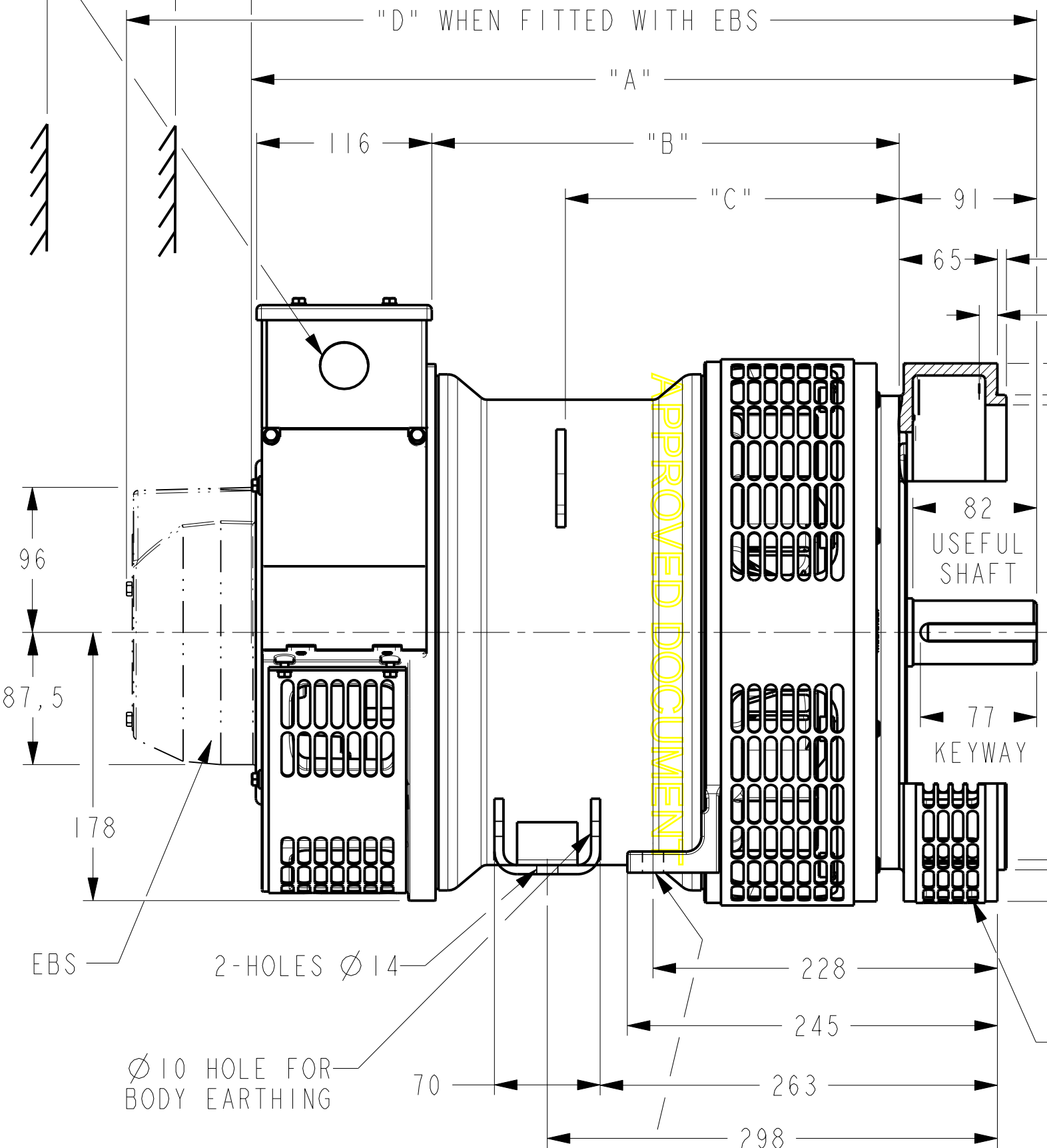
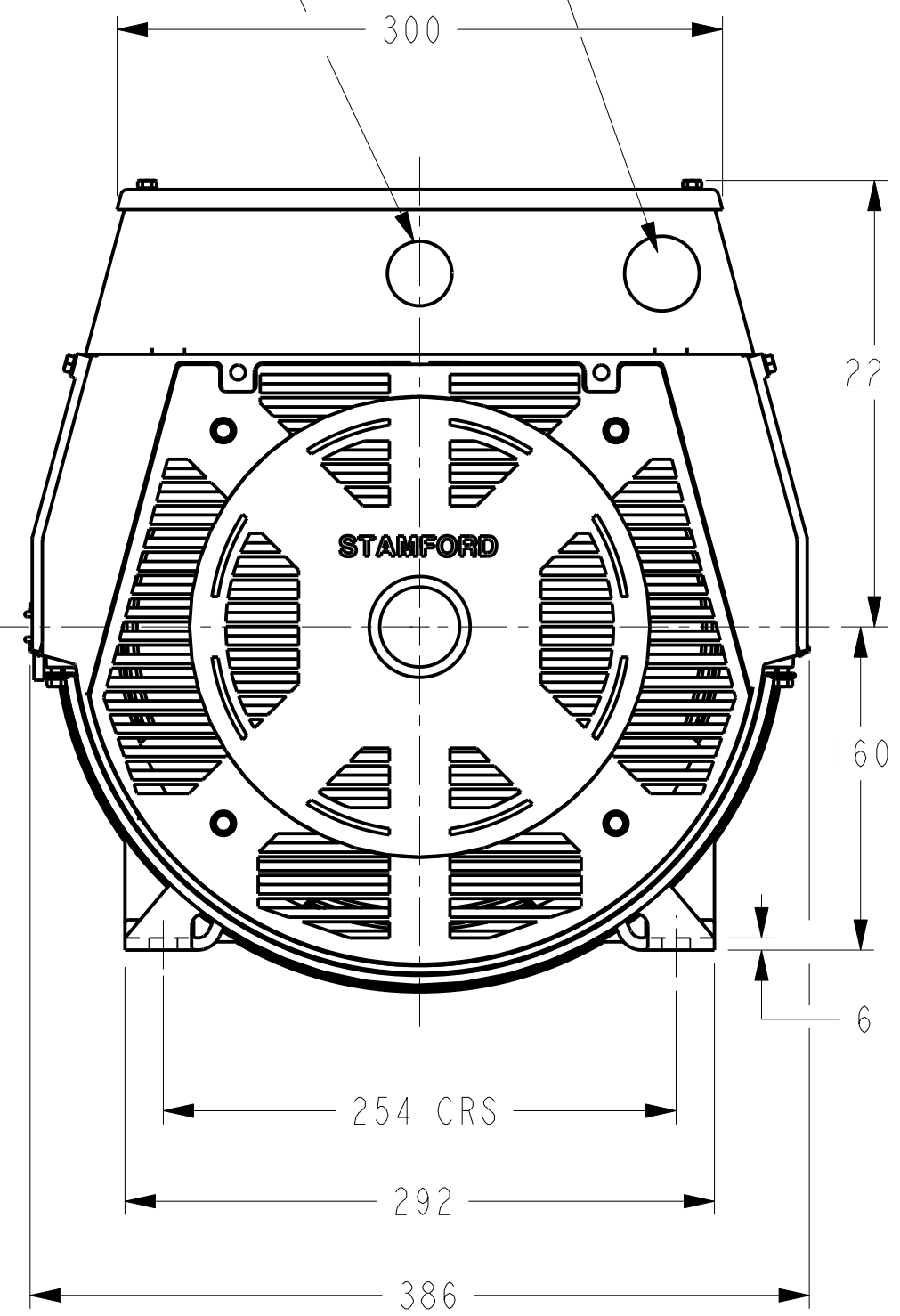
82  
USEFUL  
SHAFT

77  
KEYWAY

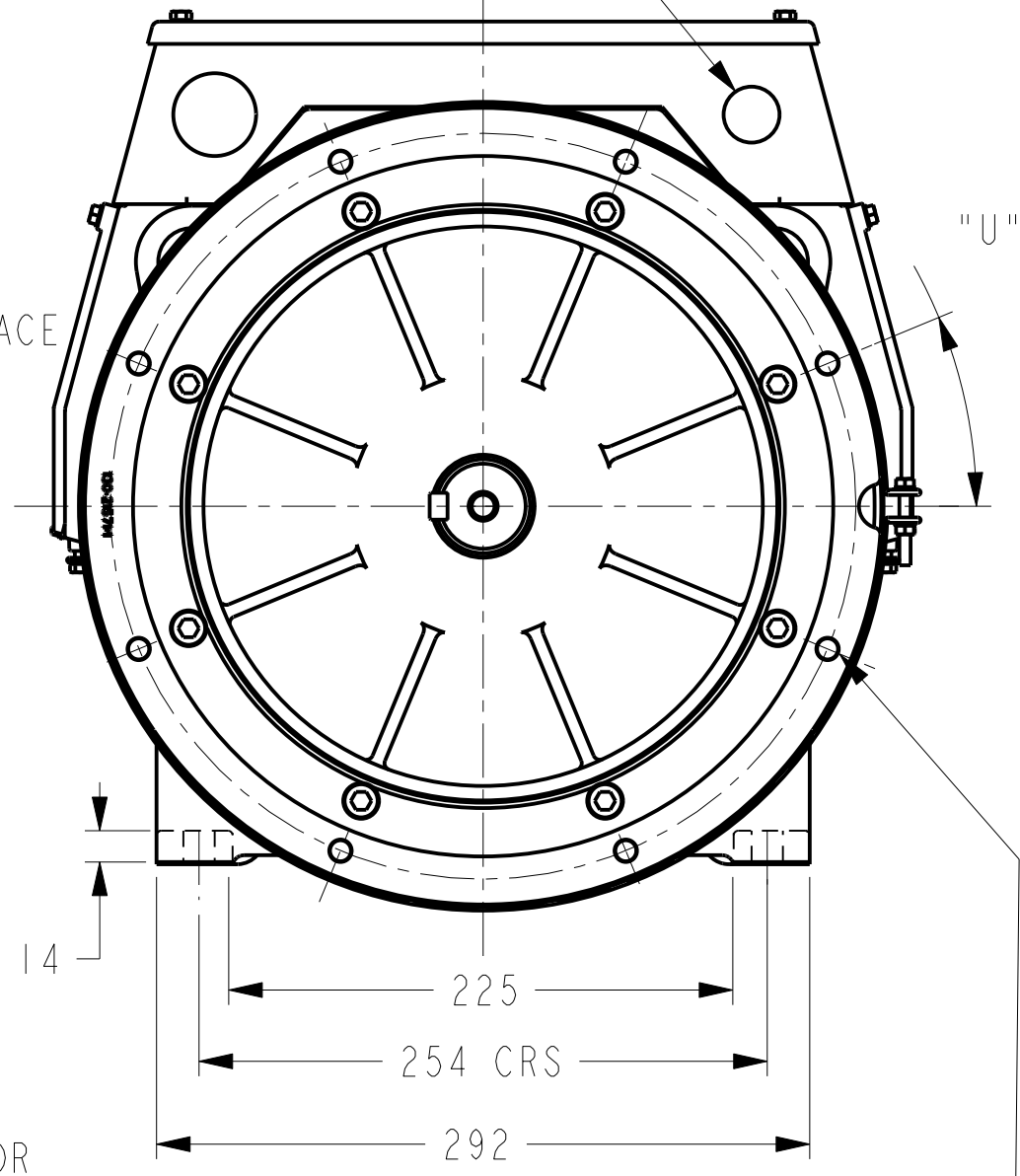
KNOCKOUT  
FOR CABLE ENTRY \*

"U"

"M"- HOLES Ø "N"  
EQUI- SPACED ON "P"- PCD



NOTE:  
ADAPTOR COVERS FOR  
SAE2,3 & 5 ARE SOLID  
BUT! FOR SAE4 ARE  
SCREENED WITH A FREE  
VENT AREA OF 202 SQ CM

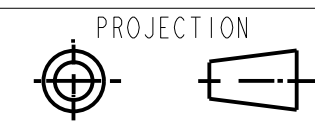


- ① - REMOVABLE COVERS FOR ACCESS TO ELECTRONIC CONTROL
- ② - REMOVABLE COVER FOR ACCESS TO MAIN TERMINALS
- \* FOR KNOCKOUT DETAILS REFER TERMINAL BOX DRAWING

**CONFIDENTIAL** PROPERTY OF  
CUMMINS GENERATOR TECHNOLOGIES LTD.

P0 F/G/H 4-POLE  
P0 E/F/G 2 POLE  
2-BEARING ALTERNATOR  
WITH COUPLING ADAPTORS

DIMENSIONS IN MILLIMETRES  
(MM) AT 20°C



UNLIMITED DIMS ± --

DRAWN	BSR	06.07.07
CHECKED	DW	17/3/08
APPROVED	SMH	17/3/08

DRG. SIZE C	SCALE 3:10
REL. PHASE P	PART No 19-1046
PRO/ENGINEER	SHEET 1 OF 1 SHEETS

MOD.	ISSUE	DRAWN	DATE	MODIFICATION
4-9346-30	B	BJ	22/02/08	NOTES FOR KNOCKOUT DETAILS ADDED
4-9111-10	A	BSR	06.07.07	ORIGINAL ISSUE