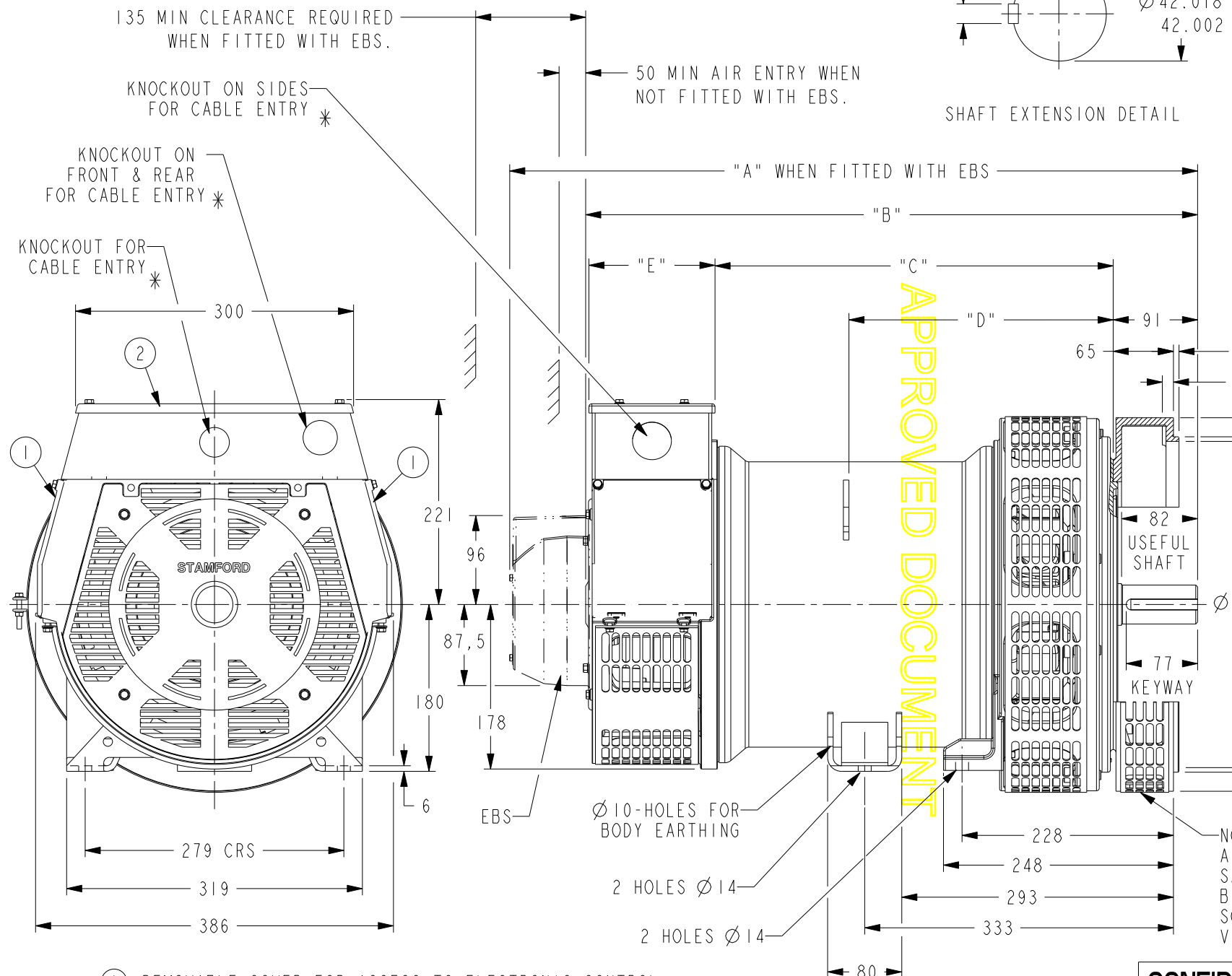


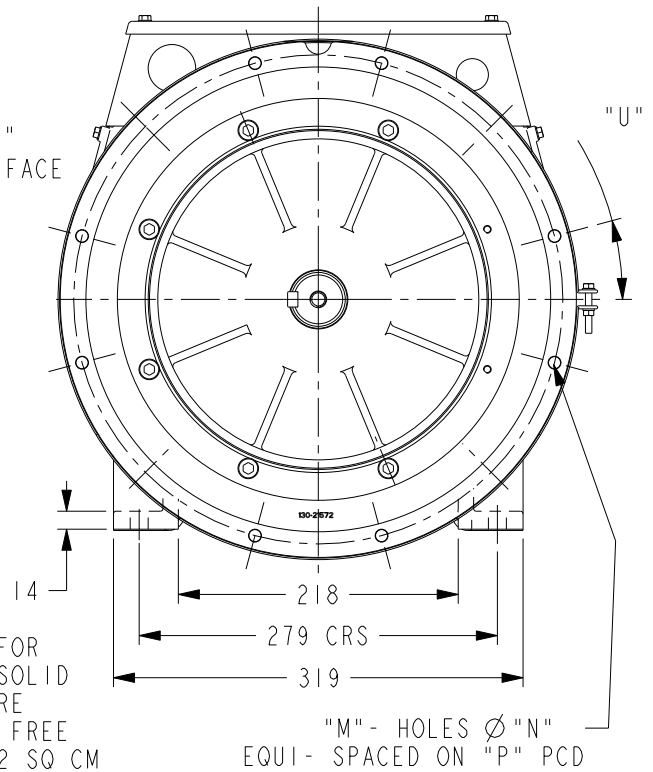
DRG. SIZE C	REL. PHASE P	PART No 19-1047	ISSUE C
----------------	-----------------	--------------------	------------

IF IN DOUBT-ASK  
DO NOT SCALE



DIMENSIONS						
FRAME	"A"	"B"	"C"	"D"	"E"	NETT WT. (Kg)
PI4D2 / PI2D2	642	560	350	240	116	130
PI2E2	667	585	375	251	116	144
PI4E2	687	605	375	251	136	144
PI2F2	682	600	390	265	116	153
PI4F2	702	620	390	265	136	153
PI2G2	722	640	430	285	116	169
PI4G2	742	660	430	285	136	169

ADAPTOR DIMENSIONS							
SAE	"M"	"N"	"P"	"U"	"V"	"W"	"X"
2	12	11	466.7	15°	432	447.6	495
3	12	11	428.6	15°	396	409.5	451
4	12	11	381.0	15°	352	361.9	403
5	8	11	333.3	22.5°	301	314.3	356



NOTE:  
ADAPTOR COVERS FOR SAE2,3 & 5 ARE SOLID BUT! FOR SAE4 ARE SCREENED WITH A FREE VENT AREA OF 202 SQ CM

- ① -REMOVABLE COVER FOR ACCESS TO ELECTRONIC CONTROL
- ② -REMOVABLE COVER FOR ACCESS TO MAIN TERMINALS
- \* FOR KNOCKOUT DETAILS REFER TERMINAL BOX DRAWING

MOD.	ISSUE	DRAWN	DATE	MODIFICATION
4-9346-54	C	BSR	20/02/08	NOTE FOR KNOCKOUT DETAILS ADDED
4-9346-21	B	DW	21/1/08	CHANGED LENGTH OF PI F/G 2-POLE,CORRECTED DIM "D", UPDATED T/BOX
4-9111-10	A	BSR	09.07.07	ORIGINAL ISSUE

**CONFIDENTIAL** PROPERTY OF CUMMINS GENERATOR TECHNOLOGIES LTD.

DIMENSIONS IN MILLIMETRES (MM) AT 20°C

UNLIMITED DIMS ± --

PROJECTION

DRAWN BSR 09.07.07

CHECKED DW 21/1/08

APPROVED SMH 21/1/08

PI D/E/F/G  
2-BRG ALTERNATOR  
WITH COUPLING ADAPTOR

DRG. SIZE C SCALE 3:10

PART No 19-1047 ISSUE C

SHEET 1 OF 1 SHEETS