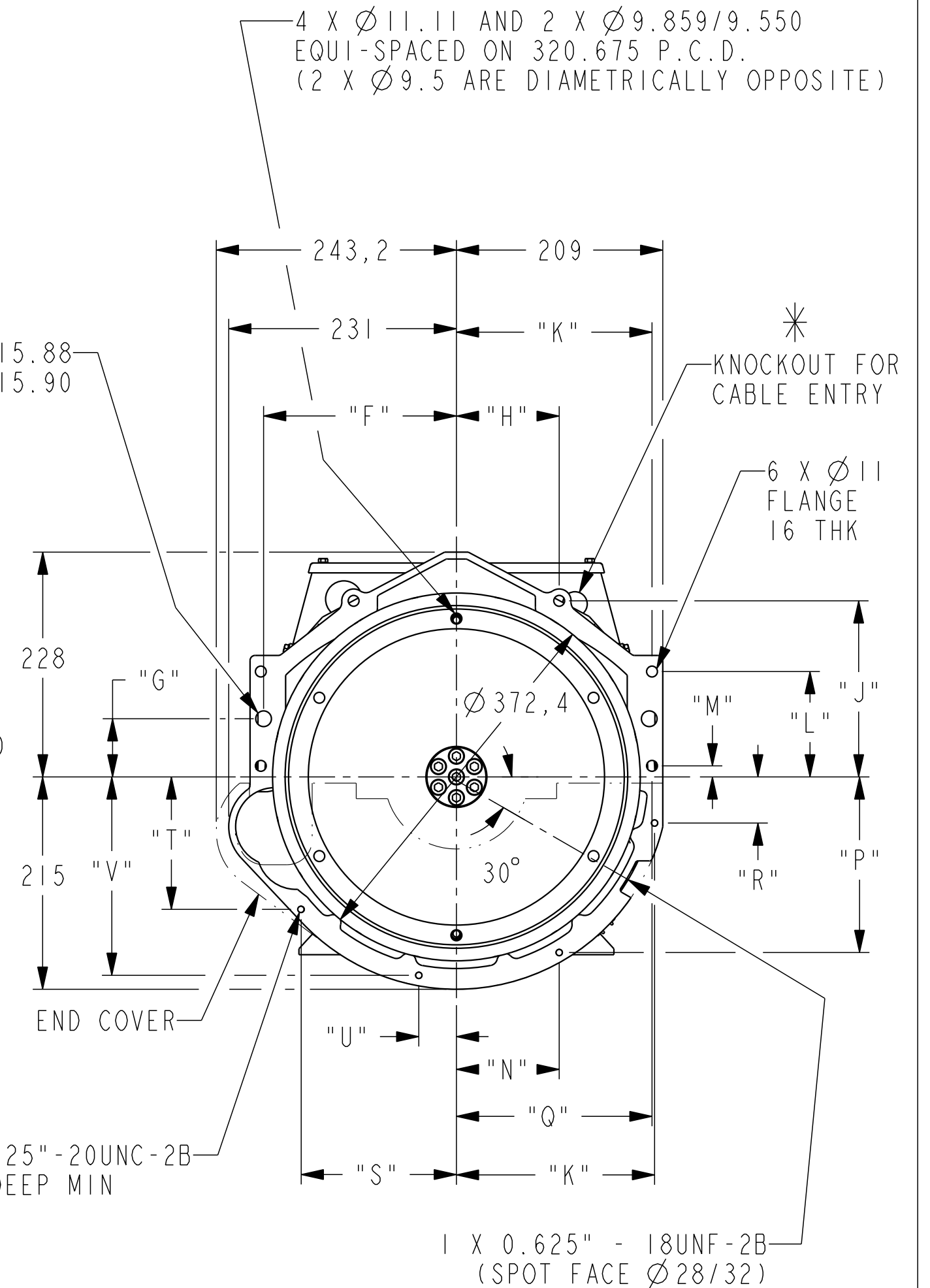
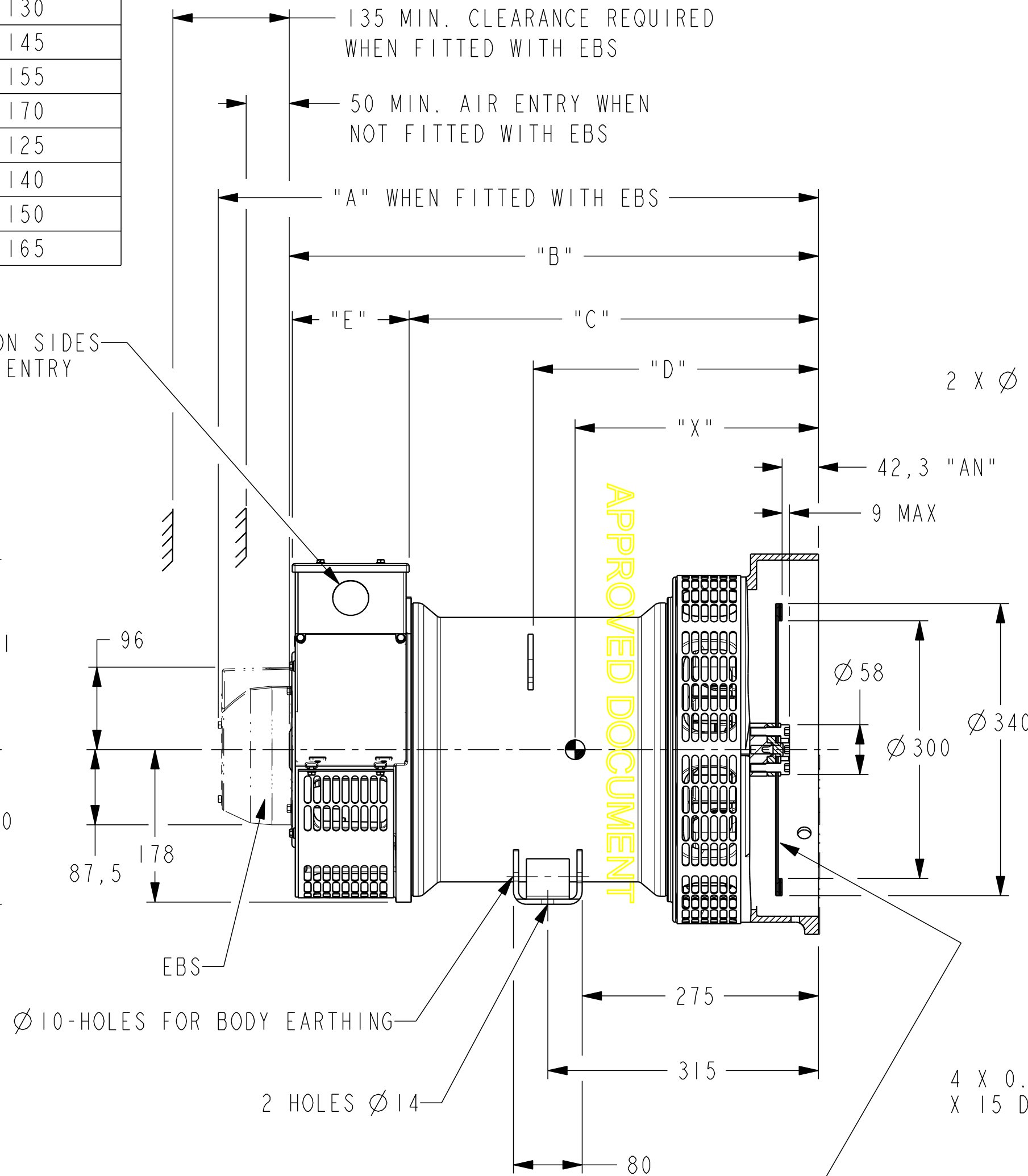
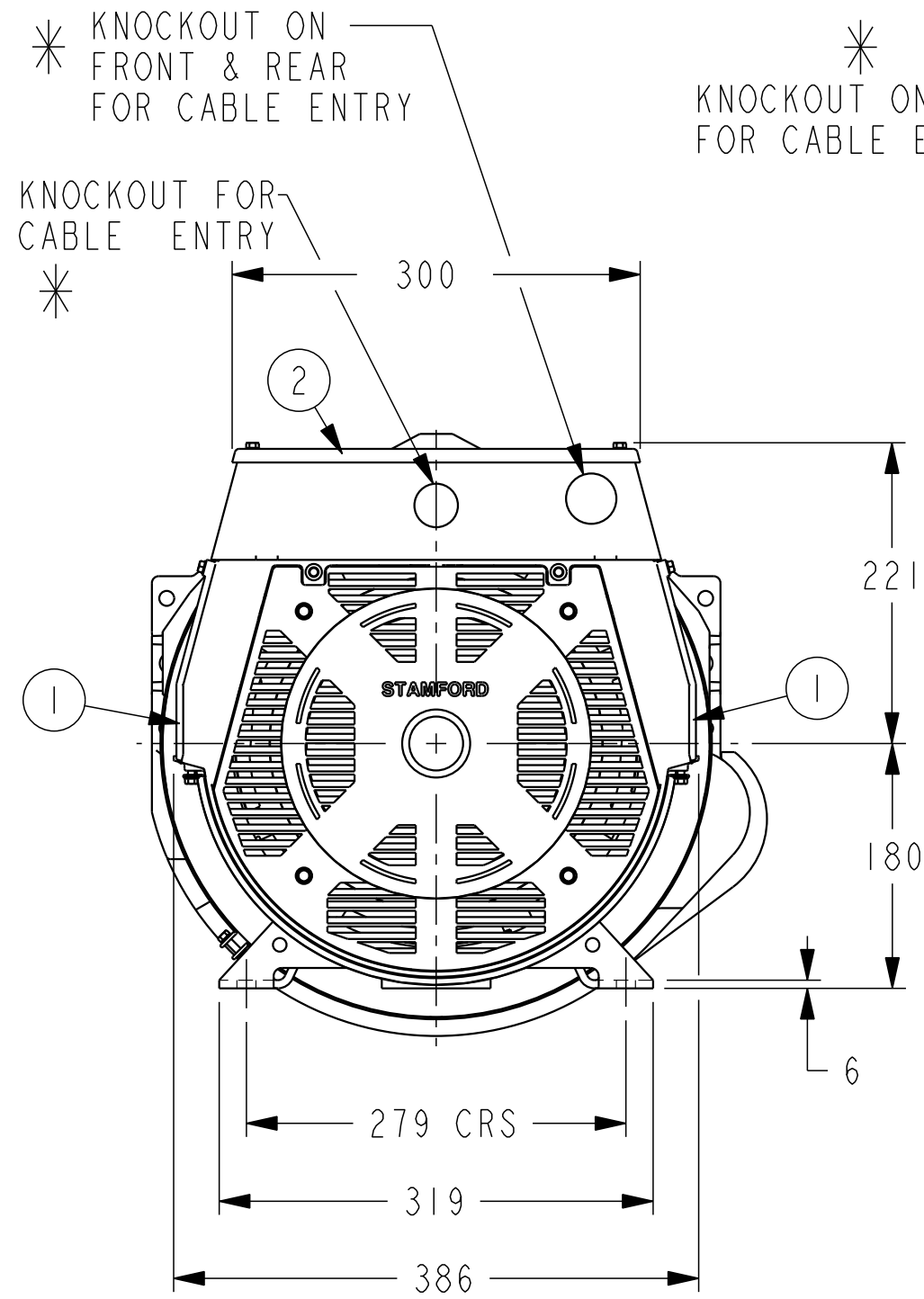


DRG. SIZE C	REL. PHASE P	PART No 19-1070	ISSUE C
----------------	-----------------	--------------------	------------

IF IN DOUBT-ASK
DO NOT SCALE

F	G	H	J	K	L	M	N	P	Q	R	S	T	U	V
195.3	58.9	104.1	178.3	198.1	106.7	11.2	104.1	177.8	200.7	46.7	157.5	134.1	38.1	200.9

FRAME	"A"	"B"	"C"	"D"	"E"	"X"	NETT. WT (Kg)
P14DI	598	516	396.5	287	116	285	130
P14EI	643	561	421.5	298	136	290	145
P14FI	658	576	436.5	312	136	305	155
P14GI	698	616	476.5	332	136	325	170
P12DI	598	516	396.5	287	116	280	125
P12EI	623	541	421.5	298	116	285	140
P12FI	638	576	436.5	312	116	300	150
P12GI	678	616	476.5	332	116	320	165



- ① - REMOVABLE COVER FOR ACCESS TO ELECTRONIC CONTROL
- ② - REMOVABLE COVER FOR ACCESS TO MAIN TERMINALS
- * - FOR KNOCKOUT DETAILS REFER TO TERMINAL BOX DRAWING

2 PLATE COUPLING 3mm THICK: 3-DISC
SPACER 4.5mm THICK: TOTAL THICKNESS
7.5mm: HUB SECURING SCREWS TO BE
TIGHTENED TO A TORQUE OF 7.6 kgfm(75Nm)

MOD.	ISSUE	DRAWN	DATE	MODIFICATION
4-9667-48	C	DW	06/03/09	NOTES FOR KNOCKOTS MODIFIED
4-9346-43	B	DW	14/02/08	UPDATED T/BOX AND ADAPTOR
4-9111-32	A	BSR	02.08.07	ORIGINAL ISSUE

CONFIDENTIAL PROPERTY OF
CUMMINS GENERATOR TECHNOLOGIES LTD.

DIMENSIONS IN MILLIMETRES (MM) AT 20°C	PROJECTION		
	DRAWN	BSR	02.08.07
	CHECKED	DW	06/03/09
UNLIMITED DIMS ± --	APPROVED	SMH	06/03/09

PI D/E/F/G 4-POLE & 2-POLE
I- BEARING ALTERNATOR WITH
ADAPTOR/COUPLING
TO SUIT 'GM' ENGINES
STANDARD TERMINAL BOX

DRG. SIZE C	SCALE 1:5
REL. PHASE P	PART No 19-1070
PRO/ENGINEER	ISSUE C
SHEET 1 OF 1 SHEETS	