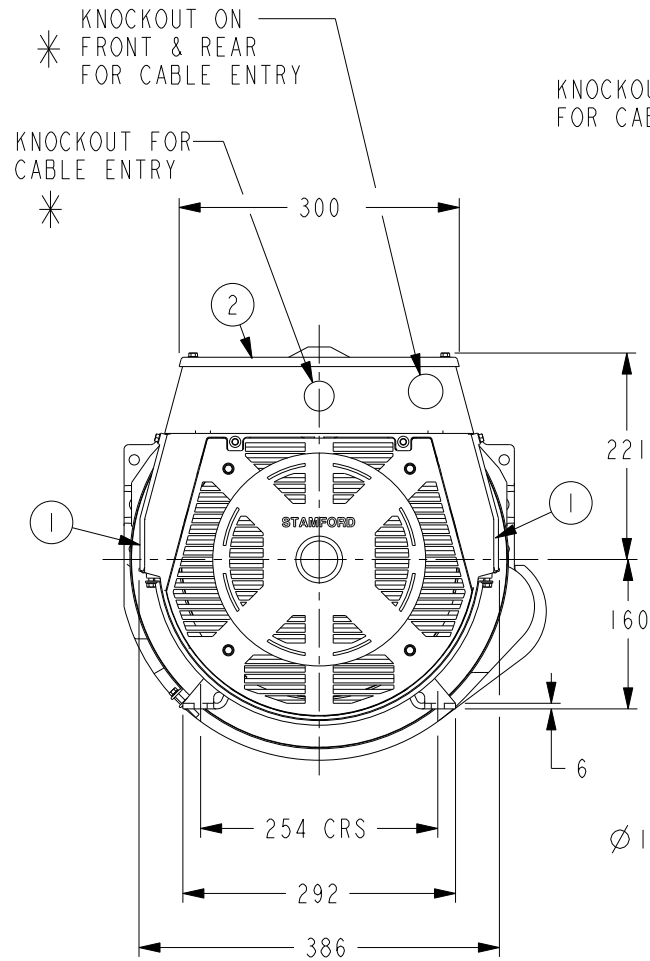


DRG. SIZE	REL. PHASE	PART No	ISSUE
C	P	19-1073	C

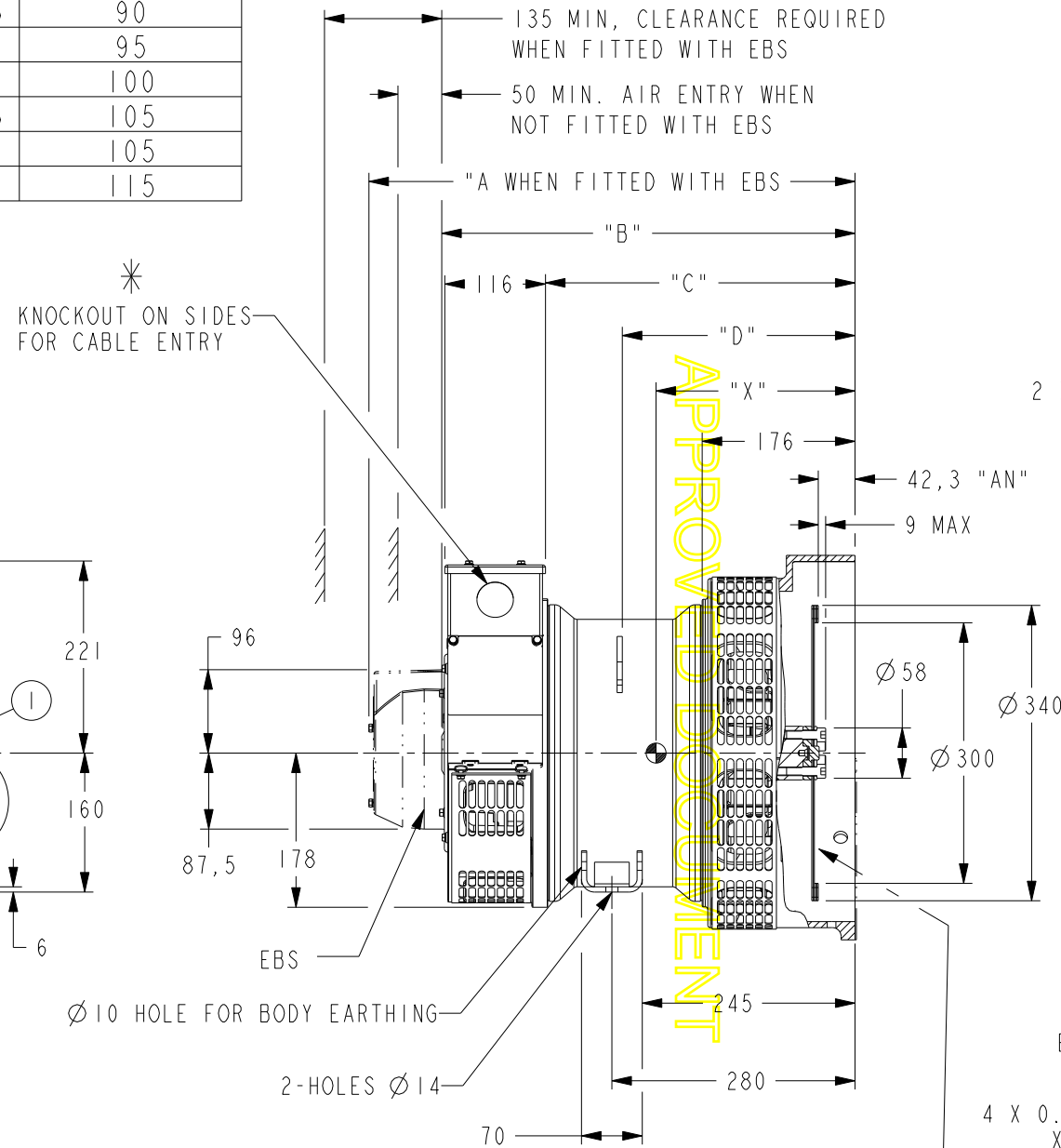
IF IN DOUBT-ASK  
DO NOT SCALE

F	G	H	J	K	L	M	N	P	Q	R	S	T	U	V
195.3	58.9	104.1	178.3	198.1	106.7	11.2	104.1	177.8	200.7	46.7	157.5	134.1	38.1	200.9

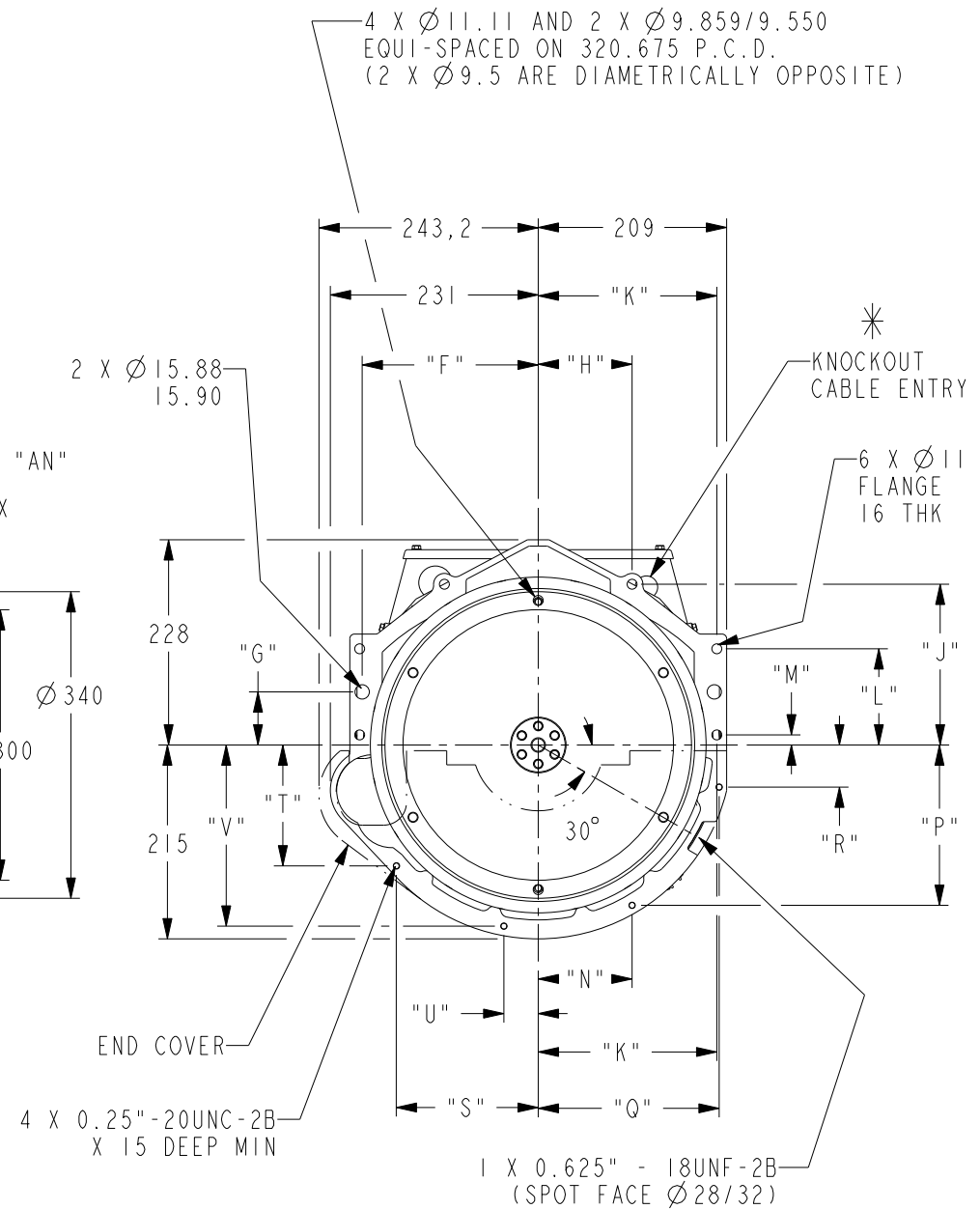
FRAME	"A"	"B"	"C"	"D"	"X"	NETT.WT. (Kg)
P02E1	558	476	356.5	268	245	90
P04F1	558	476	356.5	268	240	95
P02F1	558	476	356.5	268	240	100
P04G1	558	476	356.5	268	235	105
P02G1	573	491	371.5	278	250	105
P04H1	573	491	371.5	278	240	115



- ① - REMOVABLE COVERS FOR ACCESS TO ELECTRONIC CONTROL
- ② - REMOVABLE COVER FOR ACCESS TO MAIN TERMINALS
- \* - FOR KNOCKOUT DEATAILS REFER TO TERMINAL BOX DRAWING



2 PLATE COUPLING 3mm THICK:3-DISC SPACER  
4.5mm THICK:TOTAL THICKNESS 7.5mm:HUB  
SECURING SCREWS TO BE TIGHTENED TO A TORQUE  
OF 7.6 kgfm(75Nm)



<b>CONFIDENTIAL</b>		PROPERTY OF CUMMINS GENERATOR TECHNOLOGIES LTD.		POF/G/H 4-POLE - POE/F/G 2-POLE I-BEARING ALTERNATOR WITH ADAPTOR / COUPLING TO SUIT 'GM' ENGINES STANDARD TERMINAL BOX	
DIMENSIONS IN MILLIMETRES (MM) AT 20°C		PROJECTION 		DRG. SIZE C	SCALE 1:5
UNLIMITED DIMS ± --		DRAWN BSR	02.08.07	REL. PHASE P	PART No 19-1073
		CHECKED DW	06/03/09	PRO/ENGINEER	ISSUE C
		APPROVED SMH	06/03/09	SHEET 1 OF 1 SHEETS	

4-9667-48	C	DW	06/03/09	NOTES FOR KNOCKOUTS MODIFIED
4-9346-43	B	DW	14/02/08	UPDATED T/BOX AND ADAPTOR
4-9111-32	A	BSR	02.08.07	ORIGINAL ISSUE
MOD.	ISSUE	DRAWN	DATE	MODIFICATION