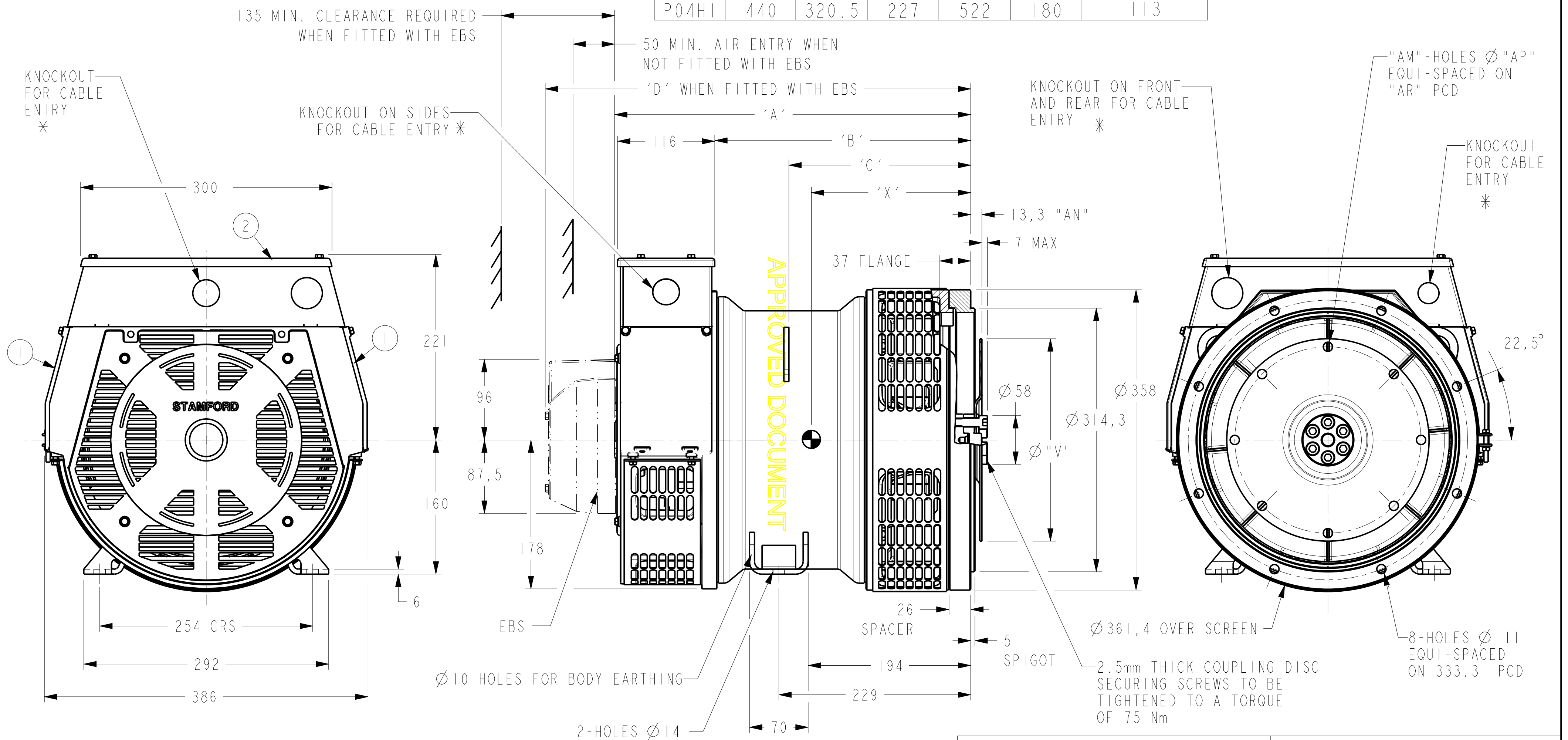


DRG. SIZE C	REL. PHASE P	PART No 19-1085	ISSUE B
----------------	-----------------	--------------------	------------

IF IN DOUBT-ASK  
DO NOT SCALE

FRAME	A	B	C	D	X	NETT WT. (Kg)
P02E1	425	305.5	217	507	180	90
P04F1	425	305.5	217	507	175	95
P02F1	425	305.5	217	507	173	96
P04G1	425	305.5	217	507	155	102
P02G1	440	320.5	227	522	190	101
P04H1	440	320.5	227	522	180	113

COUPLING DISC				
SAE	"AM"	"AP"	"AR"	"V"
6.5	6	8.7	200.0	215.8
7.5	8	8.7	222.2	241.2



- ① - REMOVABLE COVERS FOR ACCESS TO ELECTRONIC CONTROL
- ② - REMOVABLE COVER FOR ACCESS TO MAIN TERMINALS
- \* FOR KNOCKOUT DETAILS REFER TERMINAL BOX DRAWING

<b>CONFIDENTIAL</b>		PROPERTY OF CUMMINS GENERATOR TECHNOLOGIES LTD.		P0F/G/H 4P P0E/F/G 2P 1-BRG ALTERNATOR SAE 5 ADAPTOR 6.5/7.5 COUPLING LISTER ALPHA (LIGHT FLY WHEEL) AUTO-FLYWHEEL HOUSING	
DIMENSIONS IN MILLIMETRES (MM) AT 20°C		PROJECTION		DRG. SIZE C	
UNLIMITED DIMS ± --				SCALE 3:10	
		DRAWN DW 10/10/07		PART No 19-1085	
		CHECKED DW 17/3/08		ISSUE B	
		APPROVED SMH 17/3/08		SHEET 1 OF 1 SHEETS	
		Pro/ENGINEER			

MOD.	ISSUE	DRAWN	DATE	MODIFICATION
4-9346-30	B	BJ	22/02/08	NOTES FOR KNOCKOUT DETAILS ADDED
4-9111-64	A	DW	10/10/07	ORIGINAL ISSUE