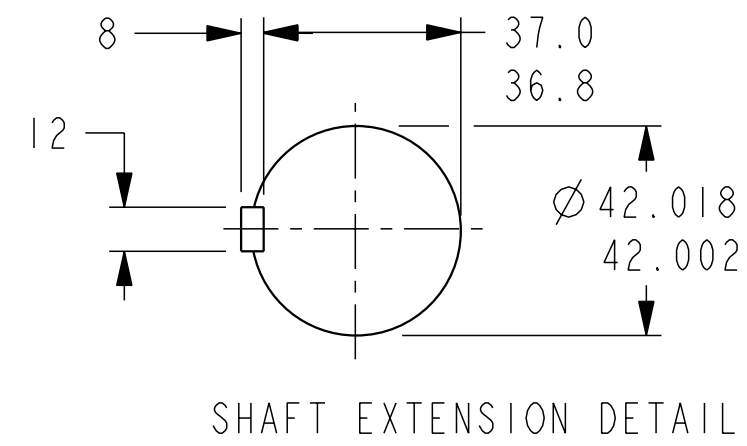


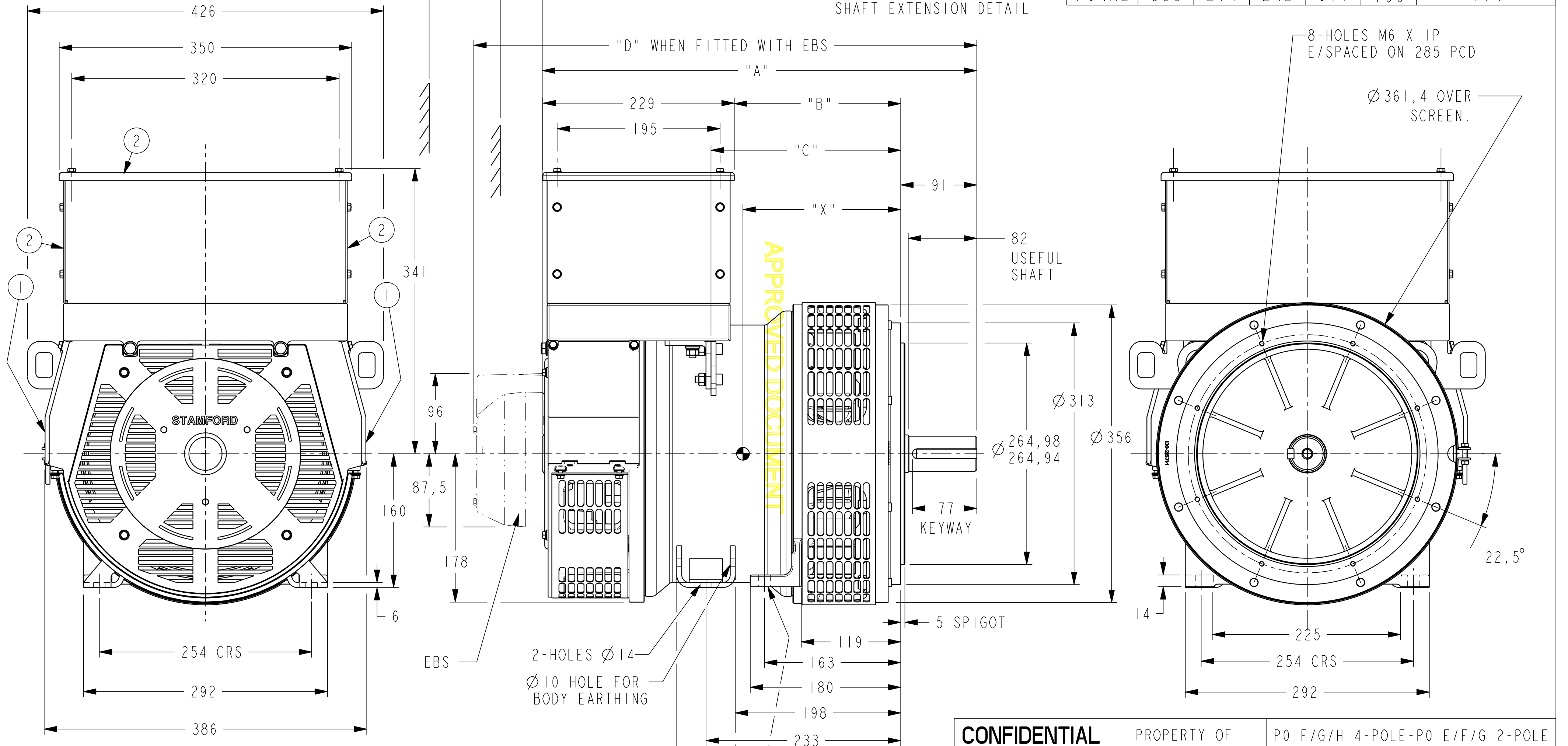
IF IN DOUBT-ASK  
DO NOT SCALE

FRAME	A	B	C	D	X	NETT WT. (Kg)
P02E2	520	199	227	602	160	91
P04F2	520	199	227	602	157	95
P02F2	520	199	227	602	155	97
P04G2	520	199	227	602	150	103
P02G2	535	214	242	617	170	101
P04H2	535	214	242	617	160	114



135 MIN. CLEARANCE REQUIRED  
WHEN FITTED WITH EBS

50 MIN. AIR ENTRY WHEN  
NOT FITTED WITH EBS



APPROVED DOCUMENT

- ① - REMOVABLE COVERS FOR ACCESS TO ELECTRONIC CONTROL
- ② - REMOVABLE COVER FOR ACCESS TO MAIN TERMINALS

<b>CONFIDENTIAL</b>		PROPERTY OF CUMMINS GENERATOR TECHNOLOGIES LTD.		P0 F/G/H 4-POLE-P0 E/F/G 2-POLE 2-BEARING ALTERNATOR LARGE TERMINAL BOX REMOVABLE SIDE PANELS	
DIMENSIONS IN MILLIMETRES (MM) AT 20°C		PROJECTION 		DRG. SIZE C	SCALE 3:10
UNLIMITED DIMS ±	--	DRAWN DW	5/11/07	REL. PHASE P	PART No 19-1110
		CHECKED DW	5/11/07	PRO/ENGINEER	ISSUE A
		APPROVED DPC	5/11/07	SHEET 1 OF 1 SHEETS	

4-9111-81	A	DW	5/11/07	ORIGINAL ISSUE
MOD.	ISSUE	DRAWN	DATE	MODIFICATION