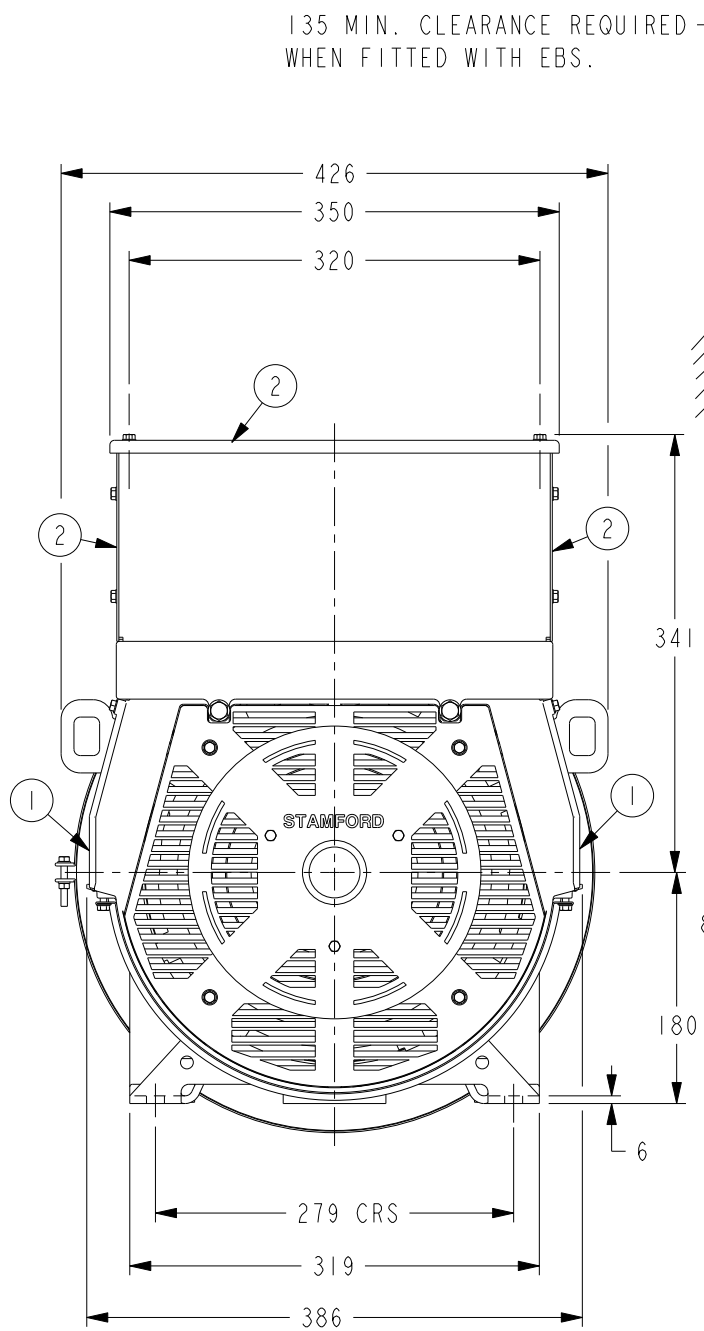


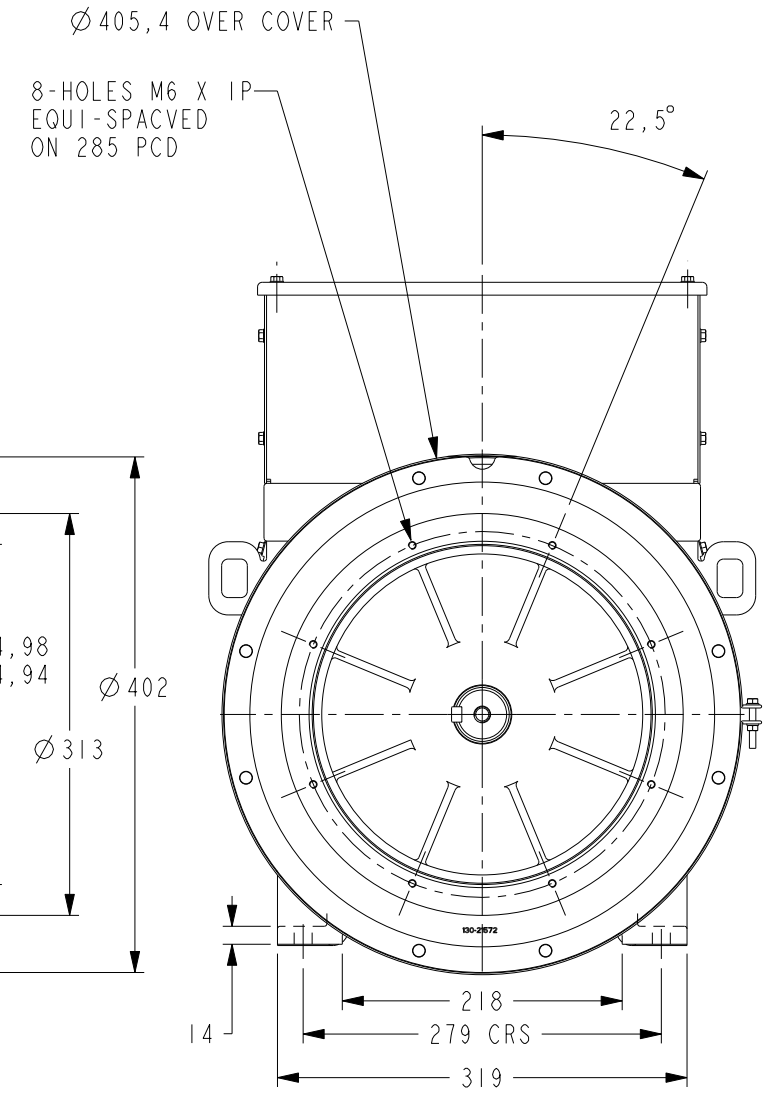
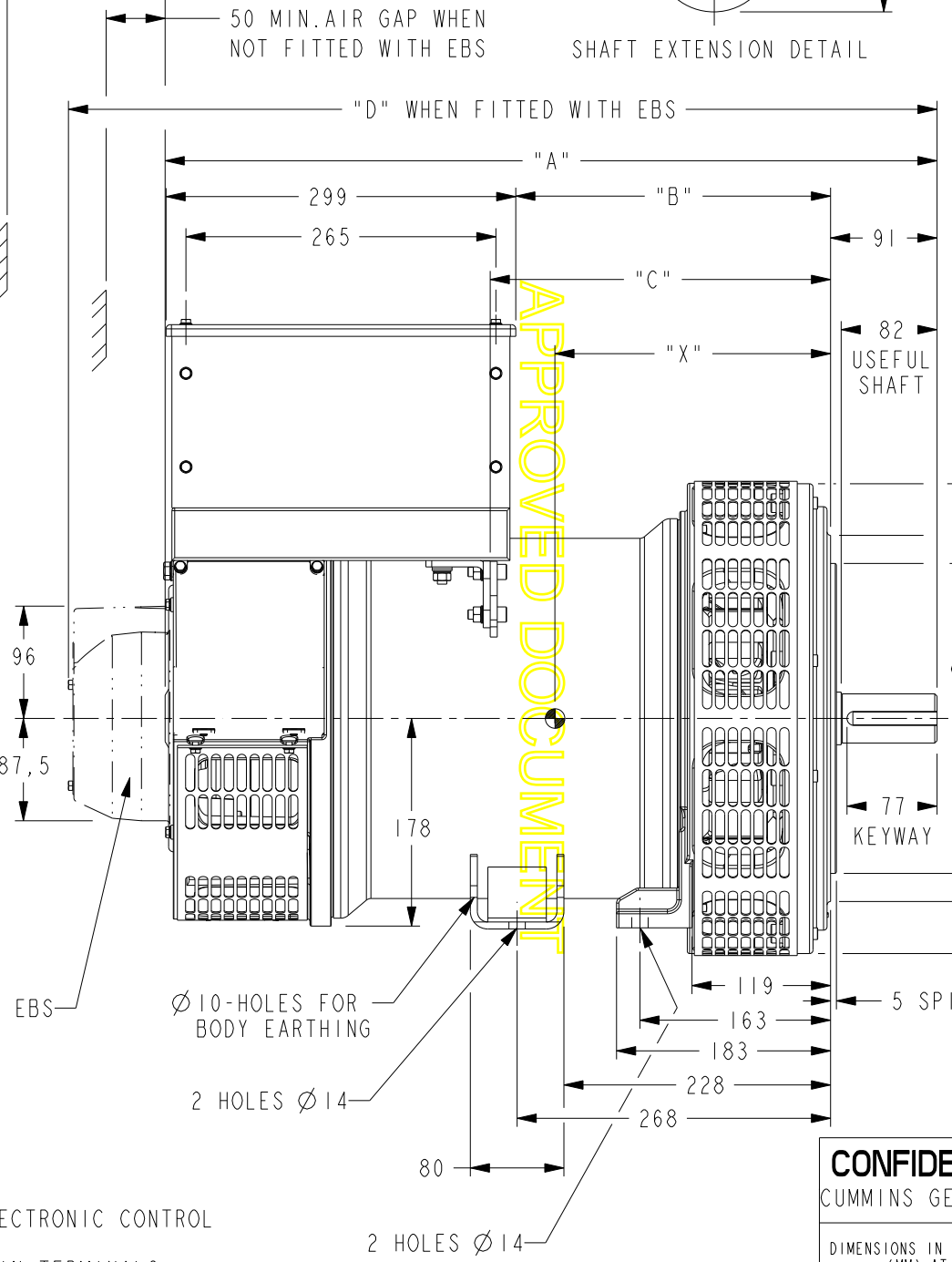
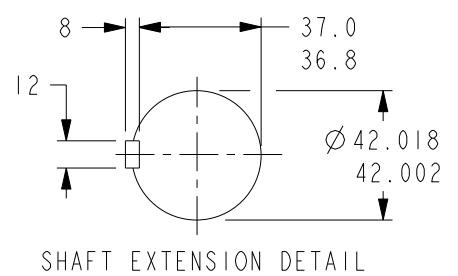
DRG. SIZE C	REL. PHASE P	PART No 19-1112	ISSUE B
----------------	-----------------	--------------------	------------

IF IN DOUBT-ASK  
DO NOT SCALE

DIMENSIONS						
FRAME	"A"	"B"	"C"	"D"	"X"	NETT WT. (Kg)
PI4E2	605	215	257	687	215	142
PI4F2	620	229	271	702	230	150
PI4G2	660	269	291	742	250	167



- ① - REMOVABLE COVER FOR ACCESS TO ELECTRONIC CONTROL
- ② - REMOVABLE COVER FOR ACCESS TO MAIN TERMINALS

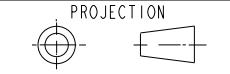


APPROVED DOCUMENT

**CONFIDENTIAL** PROPERTY OF  
CUMMINS GENERATOR TECHNOLOGIES LTD.

PI E/F/G 4-POLE  
2-BEARING ALTERNATOR  
LARGE TERMINAL BOX  
REMOVABLE SIDE PANELS

DIMENSIONS IN MILLIMETRES  
(MM) AT 20°C



UNLIMITED DIMS ± --

DRAWN	DW	5/11/07
CHECKED	DW	25/2/09
APPROVED	JB	25/2/09

DRG. SIZE C	SCALE 3:10
REL. PHASE P	PART No 19-1112
PRO/ENGINEER	ISSUE B
SHEET 1 OF 1 SHEETS	

4-9667-48	B	DW	25/2/09	DIMENSION "D" WAS 678,703 AND 743 NOW 687,702 AND 742
4-9111-81	A	DW	5/11/07	ORIGINAL ISSUE
MOD.	ISSUE	DRAWN	DATE	MODIFICATION