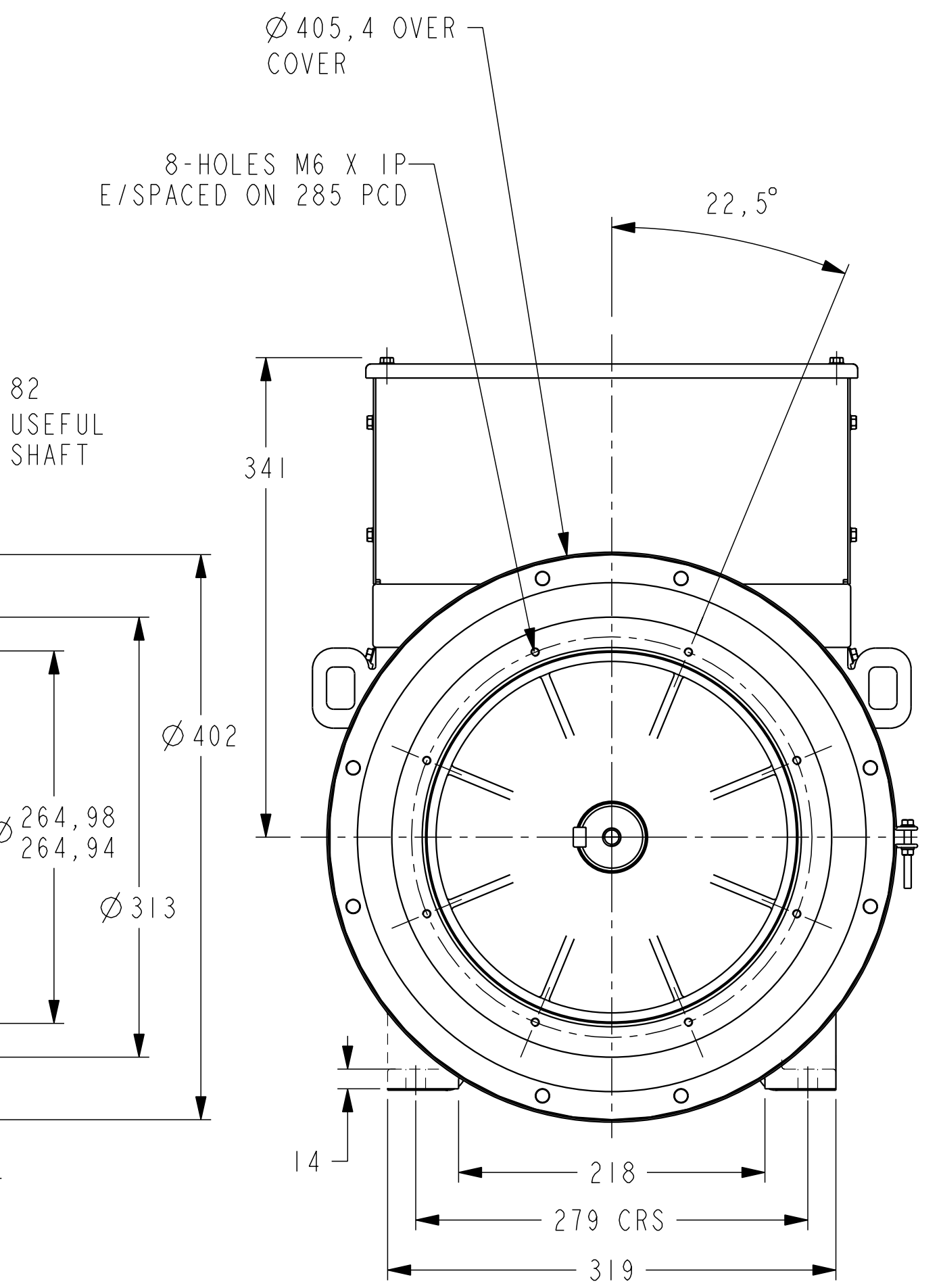
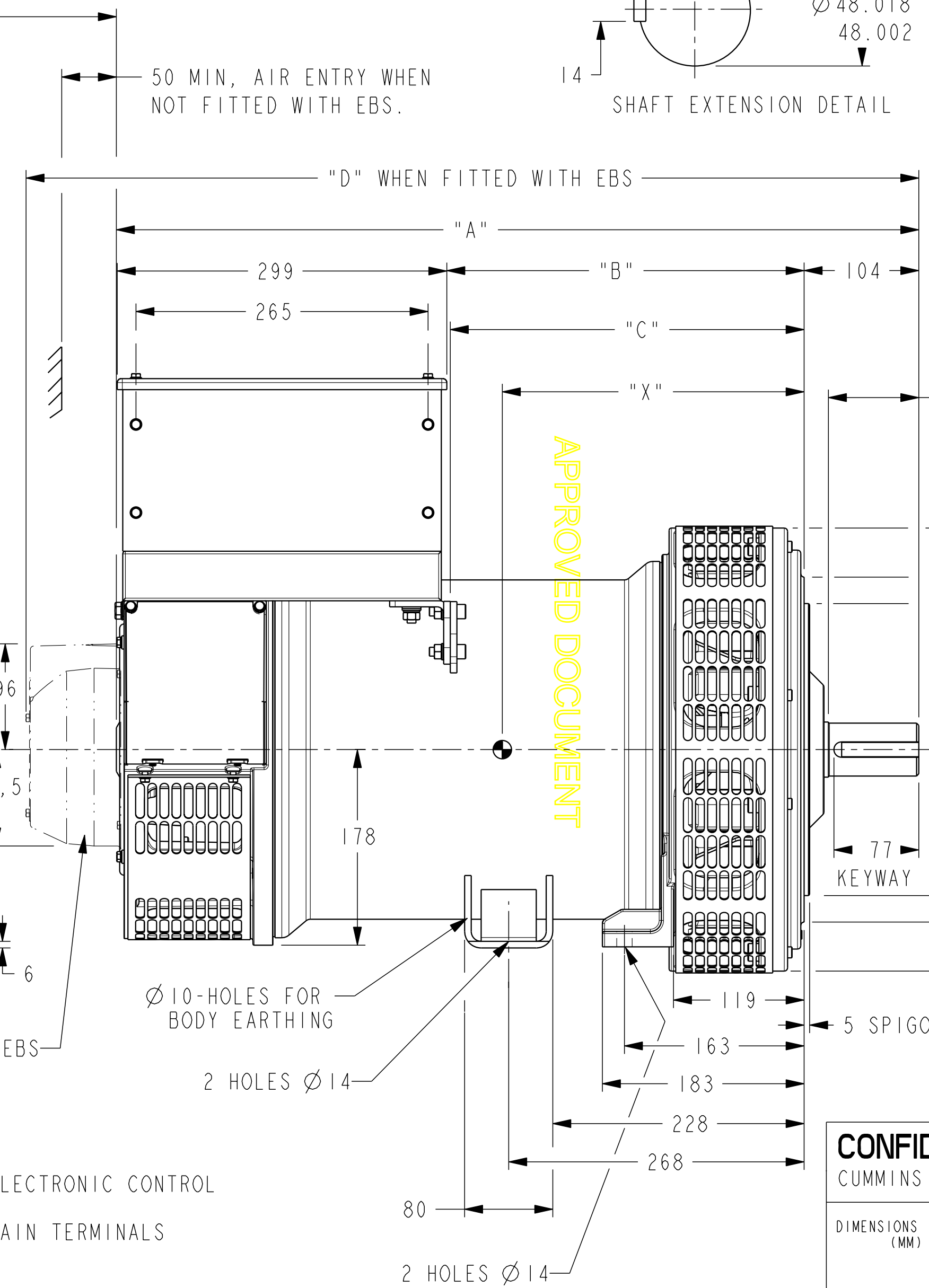
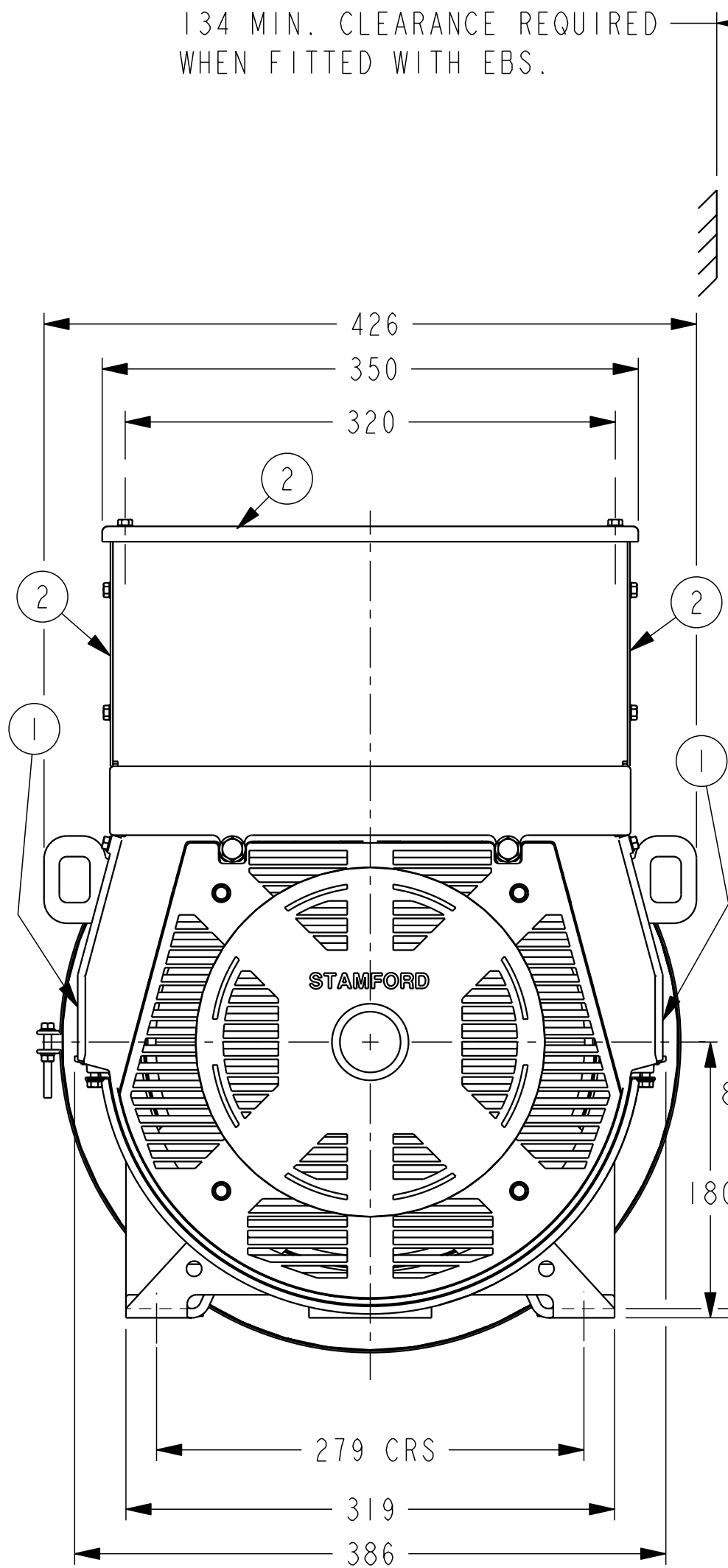
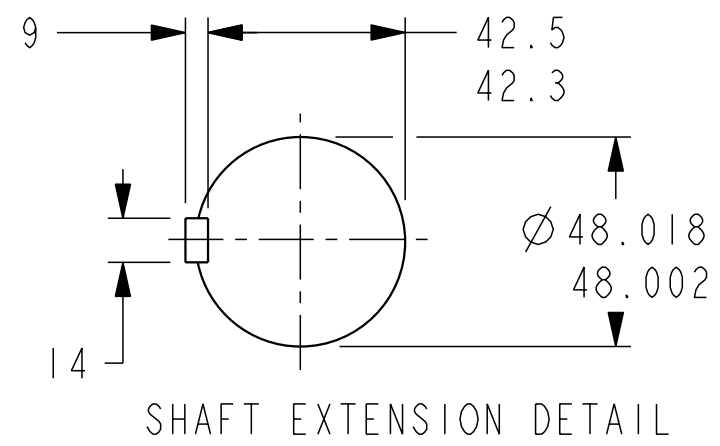


DRG. SIZE C	REL. PHASE P	PART No 19-1113	ISSUE A
----------------	-----------------	--------------------	------------

IF IN DOUBT-ASK
DO NOT SCALE

DIMENSIONS						
FRAME	"A"	"B"	"C"	"D"	"X"	NETT WT. (Kg)
PI4H2	698	294	306	780	265	178
PI4J2	728	324	321	810	280	189
PI4K2	743	339	327	825	285	198



APPROVED DOCUMENT

CONFIDENTIAL PROPERTY OF
CUMMINS GENERATOR TECHNOLOGIES LTD.

PI H/J/K 4-POLE
2-BEARING ALTERNATOR
LARGE TERMINAL BOX
REMOVABLE SIDE PANELS

DIMENSIONS IN MILLIMETRES (MM) AT 20°C			PROJECTION 	
DRAWN	DW	5/11/07	DRG. SIZE	C
CHECKED	DW	5/11/07	REL. PHASE	P
APPROVED	DPC	5/11/07	SCALE	3:10
UNLIMITED DIMS ± --			PART No	19-1113
			PRO/ENGINEER	A

DRG. SIZE	C	SCALE	3:10
REL. PHASE	P	PART No	19-1113
PRO/ENGINEER		ISSUE	A
SHEET		I OF I SHEETS	

4-9111-81	A	DW	5/11/07	ORIGINAL ISSUE
MOD.	ISSUE	DRAWN	DATE	MODIFICATION

- ① - REMOVABLE COVER FOR ACCESS TO ELECTRONIC CONTROL
- ② - REMOVABLE COVER FOR ACCESS TO MAIN TERMINALS

134 MIN. CLEARANCE REQUIRED
WHEN FITTED WITH EBS.

50 MIN. AIR ENTRY WHEN
NOT FITTED WITH EBS.

EBS

Ø 10-HOLES FOR
BODY EARTHING

2 HOLES Ø 14

2 HOLES Ø 14

82
USEFUL
SHAFT

77
KEYWAY

5 SPIGOT