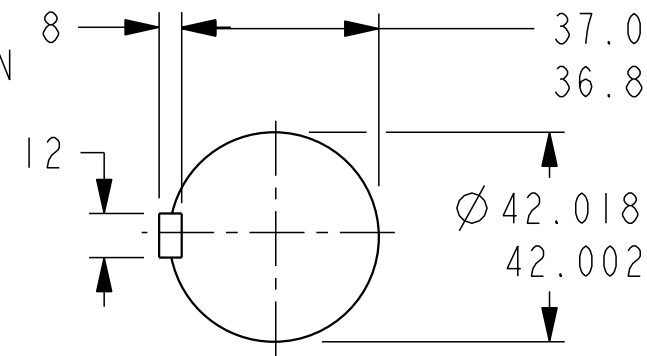


IF IN DOUBT-ASK  
DO NOT SCALE

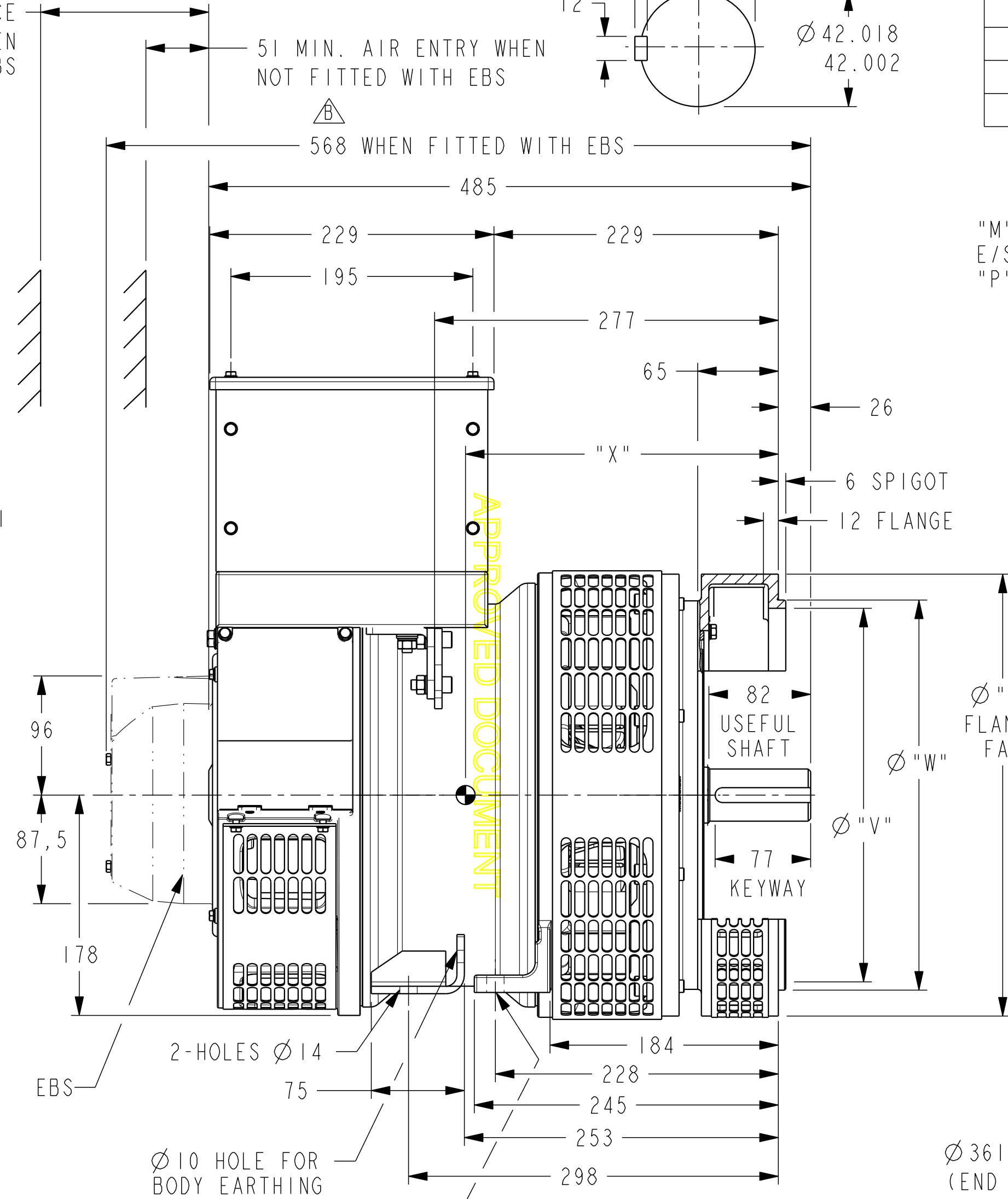
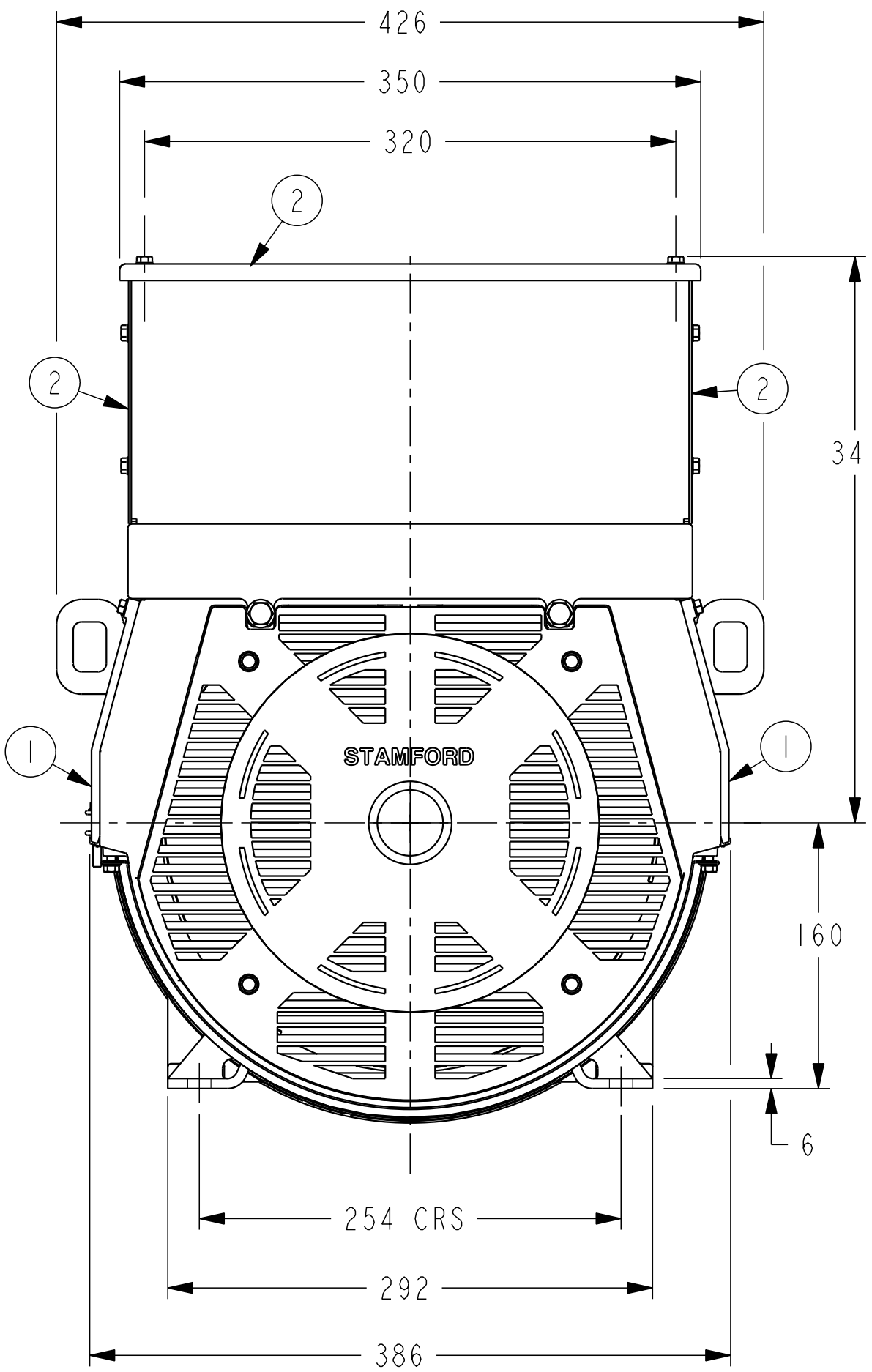
| FRAME | "X" | NETT WT. (Kg) |
|-------|-----|---------------|
| P04D2 | 170 | 88            |
| P02D2 | 165 | 89            |
| P04E2 | 160 | 93            |

135 MIN. CLEARANCE  
REQUIRED WHEN  
FITTED WITH EBS

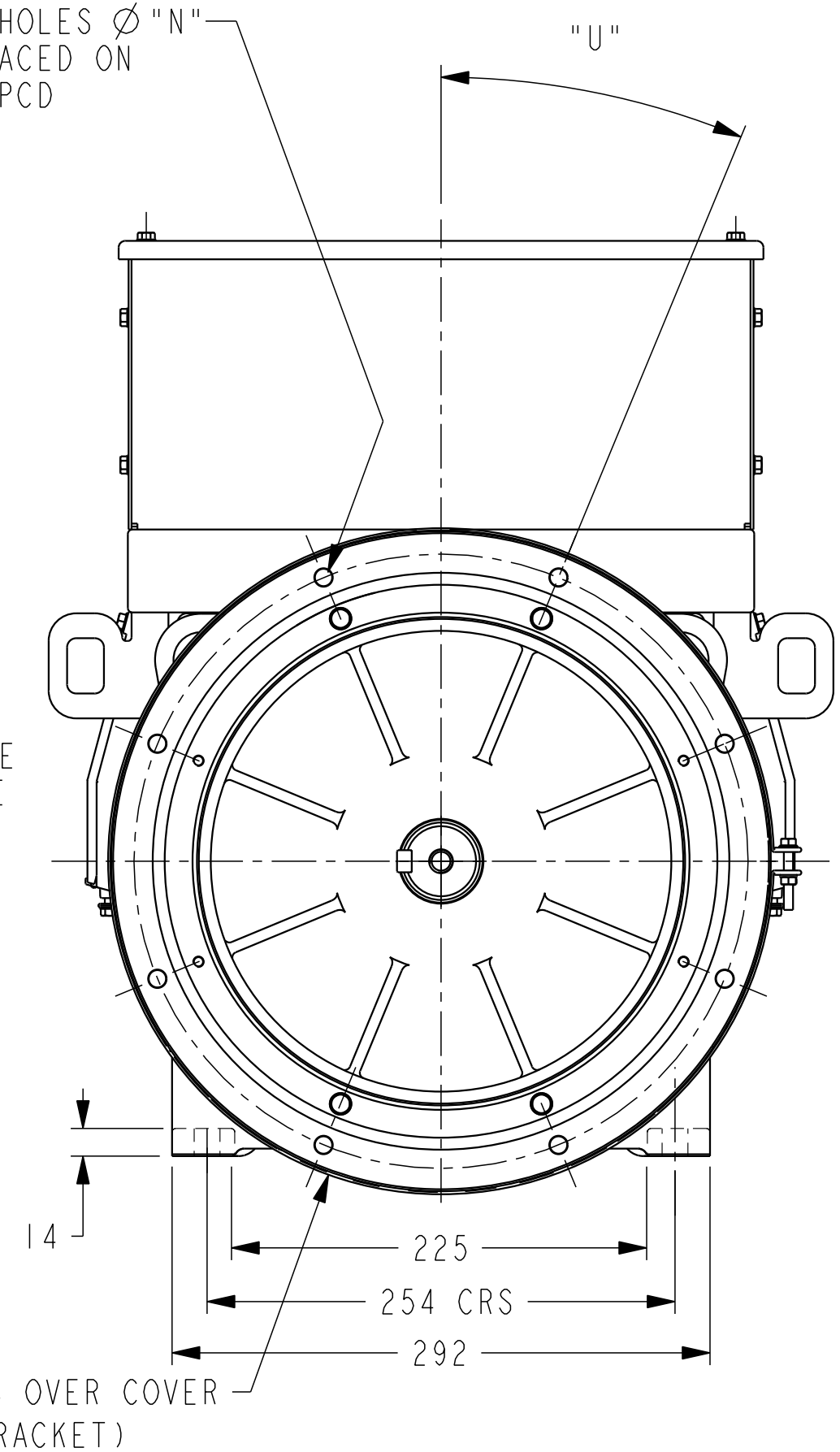
SHAFT EXTENSION  
DETAIL



| ADAPTOR DIMENSIONS |     |     |       |       |     |       |     |
|--------------------|-----|-----|-------|-------|-----|-------|-----|
| SAE                | "M" | "N" | "P"   | "U"   | "V" | "W"   | "Y" |
| 2                  | 12  | 11  | 466.7 | 15°   | 432 | 447.6 | 495 |
| 3                  | 12  | 11  | 428.6 | 15°   | 396 | 409.5 | 451 |
| 4                  | 12  | 11  | 381.0 | 15°   | 352 | 361.9 | 403 |
| 5                  | 8   | 11  | 333.3 | 22.5° | 301 | 314.3 | 356 |



"M"-HOLES Ø "N"  
E/SPACED ON  
"P" PCD



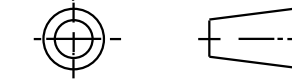
- ① - REMOVABLE COVERS FOR ACCESS TO ELECTRONIC CONTROL
- ② - REMOVABLE COVER FOR ACCESS TO MAIN TERMINALS

**CONFIDENTIAL** PROPERTY OF  
CUMMINS GENERATOR TECHNOLOGIES LTD

P0 D/E 4-POLE/P0 D 2-POLE  
2-BEARING ALTERNATOR  
WITH COUPLING ADAPTOR  
LARGE TERMINAL BOX  
REMOVABLE SIDE PANELS

DIMENSIONS IN MILLIMETRES  
(MM) AT 20°C

PROJECTION



UNLIMITED DIMS ± --

|          |    |         |
|----------|----|---------|
| DRAWN    | DW | 7/11/07 |
| CHECKED  | DW | 25/2/09 |
| APPROVED | JB | 25/2/09 |

|                     |                    |
|---------------------|--------------------|
| DRG. SIZE<br>C      | SCALE<br>3:10      |
| REL. PHASE<br>P     | PART No<br>19-1114 |
| PRO/ENGINEER        | ISSUE<br>B         |
| SHEET 1 OF 1 SHEETS |                    |

|           |       |       |         |   |
|-----------|-------|-------|---------|---|
| 4-9667-48 | B     | DW    | 25/2/09 | DIMENSION - 567 WHEN FITTED WITH EBS WAS 572 WHEN FITTED WITH EBS |
| 4-9111-81 | A     | DW    | 7/11/07 | ORIGINAL ISSUE  |
| MOD.      | ISSUE | DRAWN | DATE    | MODIFICATION  |