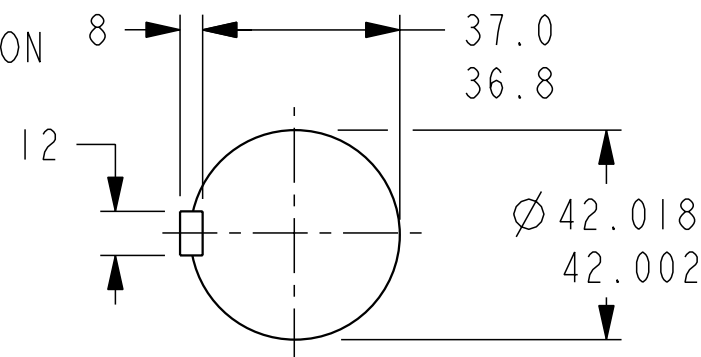


DRG. SIZE C	REL. PHASE P	PART No 19-1115	ISSUE A
----------------	-----------------	--------------------	------------

IF IN DOUBT-ASK
DO NOT SCALE

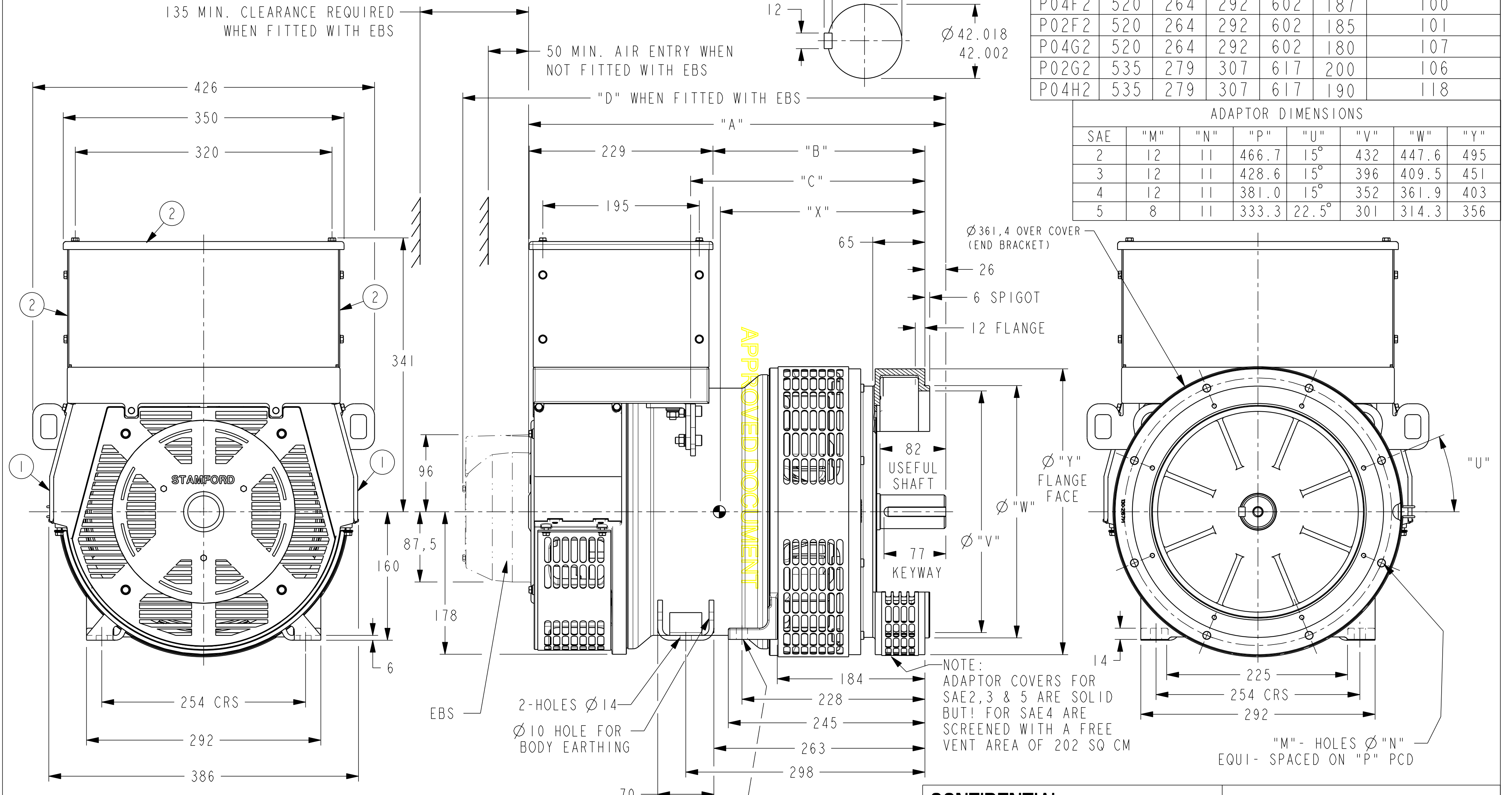
SHAFT EXTENSION
DETAIL



FRAME	A	B	C	D	X	NETT WT. (Kg)
P02E2	520	264	292	602	190	95
P04F2	520	264	292	602	187	100
P02F2	520	264	292	602	185	101
P04G2	520	264	292	602	180	107
P02G2	535	279	307	617	200	106
P04H2	535	279	307	617	190	118

ADAPTOR DIMENSIONS

SAE	"M"	"N"	"P"	"U"	"V"	"W"	"Y"
2	12	11	466.7	15°	432	447.6	495
3	12	11	428.6	15°	396	409.5	451
4	12	11	381.0	15°	352	361.9	403
5	8	11	333.3	22.5°	301	314.3	356

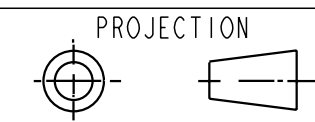


- ① - REMOVABLE COVERS FOR ACCESS TO ELECTRONIC CONTROL
- ② - REMOVABLE COVER FOR ACCESS TO MAIN TERMINALS

CONFIDENTIAL PROPERTY OF
CUMMINS GENERATOR TECHNOLOGIES LTD.

P0 F/G/H 4-P & P0 E/F/G 2-P
2-BEARING ALTERNATOR
WITH COUPLING ADAPTOR
LARGE TERMINAL BOX
REMOVABLE SIDE PANELS

DIMENSIONS IN MILLIMETRES
(MM) AT 20°C



UNLIMITED DIMS ± --

DRAWN	DW	5/11/07
CHECKED	DW	7/11/07
APPROVED	DPC	7/11/07

DRG. SIZE C	SCALE 3:10
REL. PHASE P	PART No 19-1115
PRO/ENGINEER	ISSUE A
SHEET 1 OF 1 SHEETS	

4-9111-81	A	DW	5/11/07	ORIGINAL ISSUE
MOD.	ISSUE	DRAWN	DATE	MODIFICATION