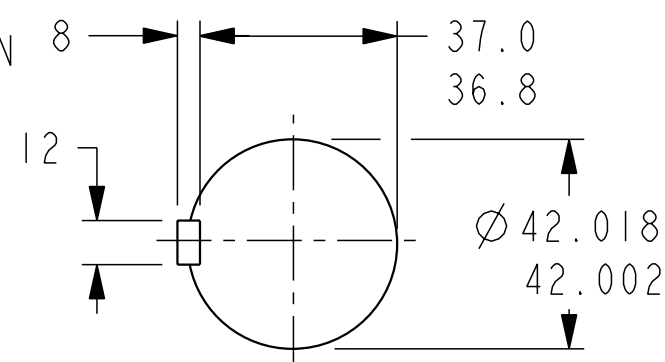


IF IN DOUBT-ASK
DO NOT SCALE

SHAFT EXTENSION
DETAIL



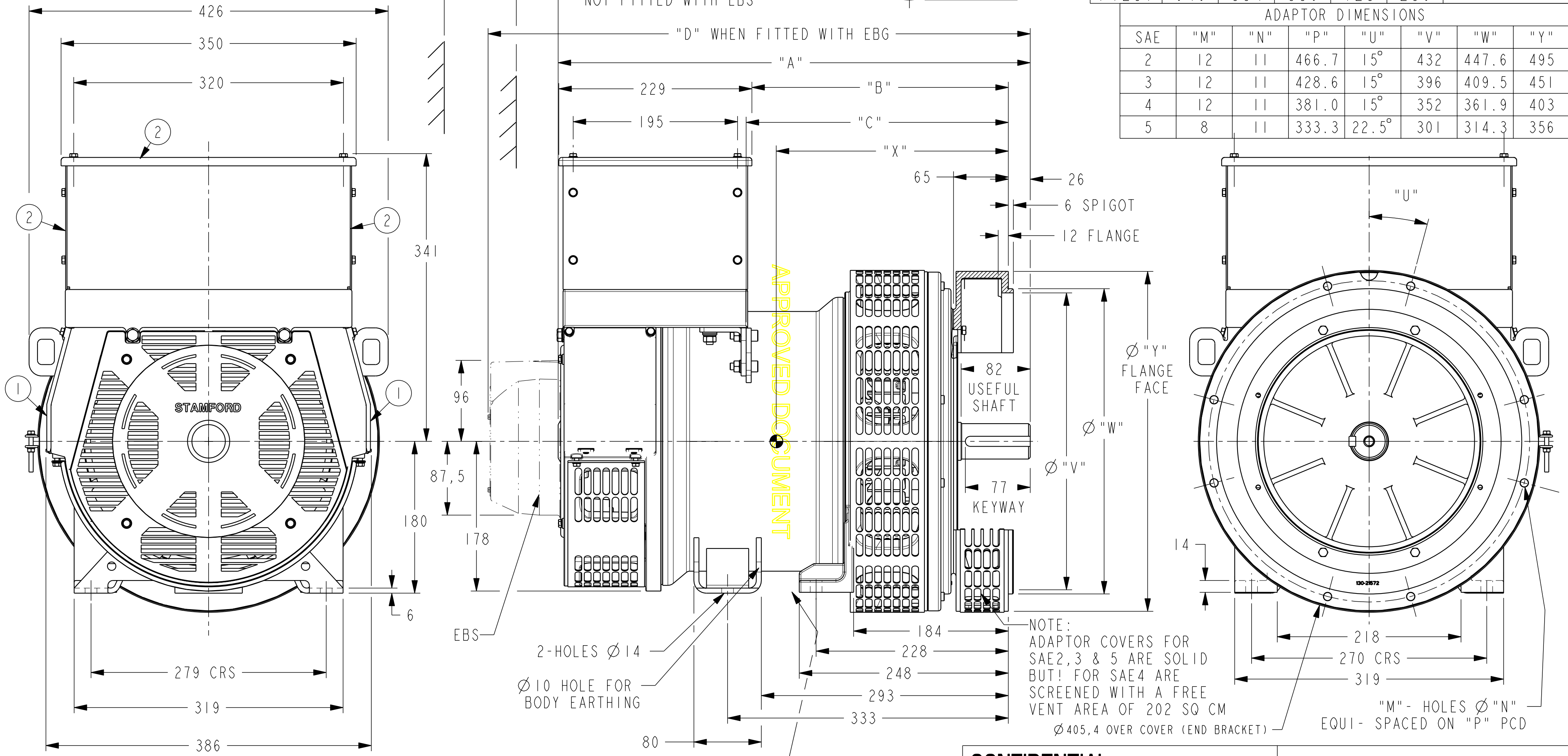
FRAME	A	B	C	D	X	NETT WT. (Kg)
PI2DI	560	304	311	643	232	132
PI4DI	560	304	311	643	232	132
PI2EI	585	329	322	658	245	148
PI2FI	600	344	336	683	260	156
PI2GI	640	384	356	723	280	173

ADAPTOR DIMENSIONS

SAE	"M"	"N"	"P"	"U"	"V"	"W"	"Y"
2	12	11	466.7	15°	432	447.6	495
3	12	11	428.6	15°	396	409.5	451
4	12	11	381.0	15°	352	361.9	403
5	8	11	333.3	22.5°	301	314.3	356

135 MIN. CLEARANCE REQUIRED
WHEN FITTED WITH EBS.

50 MIN. AIR ENTRY WHEN
NOT FITTED WITH EBS



NOTE:
ADAPTOR COVERS FOR
SAE2,3 & 5 ARE SOLID
BUT! FOR SAE4 ARE
SCREENED WITH A FREE
VENT AREA OF 202 SQ CM
Ø405,4 OVER COVER (END BRACKET)

- ① - REMOVABLE COVERS FOR ACCESS TO ELECTRONIC CONTROL
- ② - REMOVABLE COVER FOR ACCESS TO MAIN TERMINALS

CONFIDENTIAL		PROPERTY OF CUMMINS GENERATOR TECHNOLOGIES LTD.		PI D 4-POLE - PI DEFG 2-POLE 2-BEARING ALTERNATOR WITH COUPLING ADAPTOR LARGE TERMINAL BOX REMOVABLE SIDE PANELS	
DIMENSIONS IN MILLIMETRES (MM) AT 20°C		PROJECTION 		DRG. SIZE C	
UNLIMITED DIMS ± --		DRAWN DW 7/11/07		SCALE 3:10	
		CHECKED DW 7/11/07		PART No 19-1116	
		APPROVED DPC 7/11/07		ISSUE A	
		REL. PHASE P		SHEET 1 OF 1 SHEETS	
		Pro/ENGINEER			

4-9111-81	A	DW	7/11/07	ORIGINAL ISSUE
MOD.	ISSUE	DRAWN	DATE	MODIFICATION