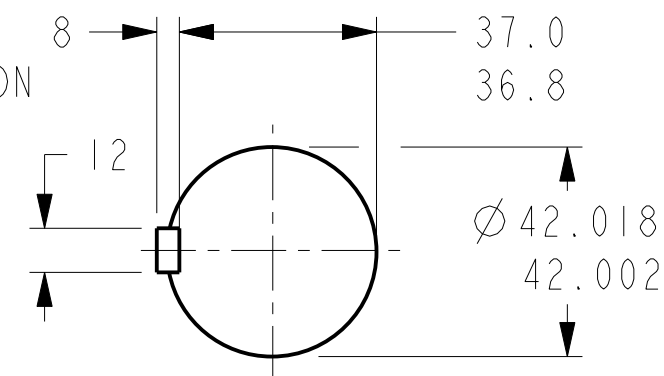


IF IN DOUBT-ASK
DO NOT SCALE

SHAFT EXTENSION
DETAIL

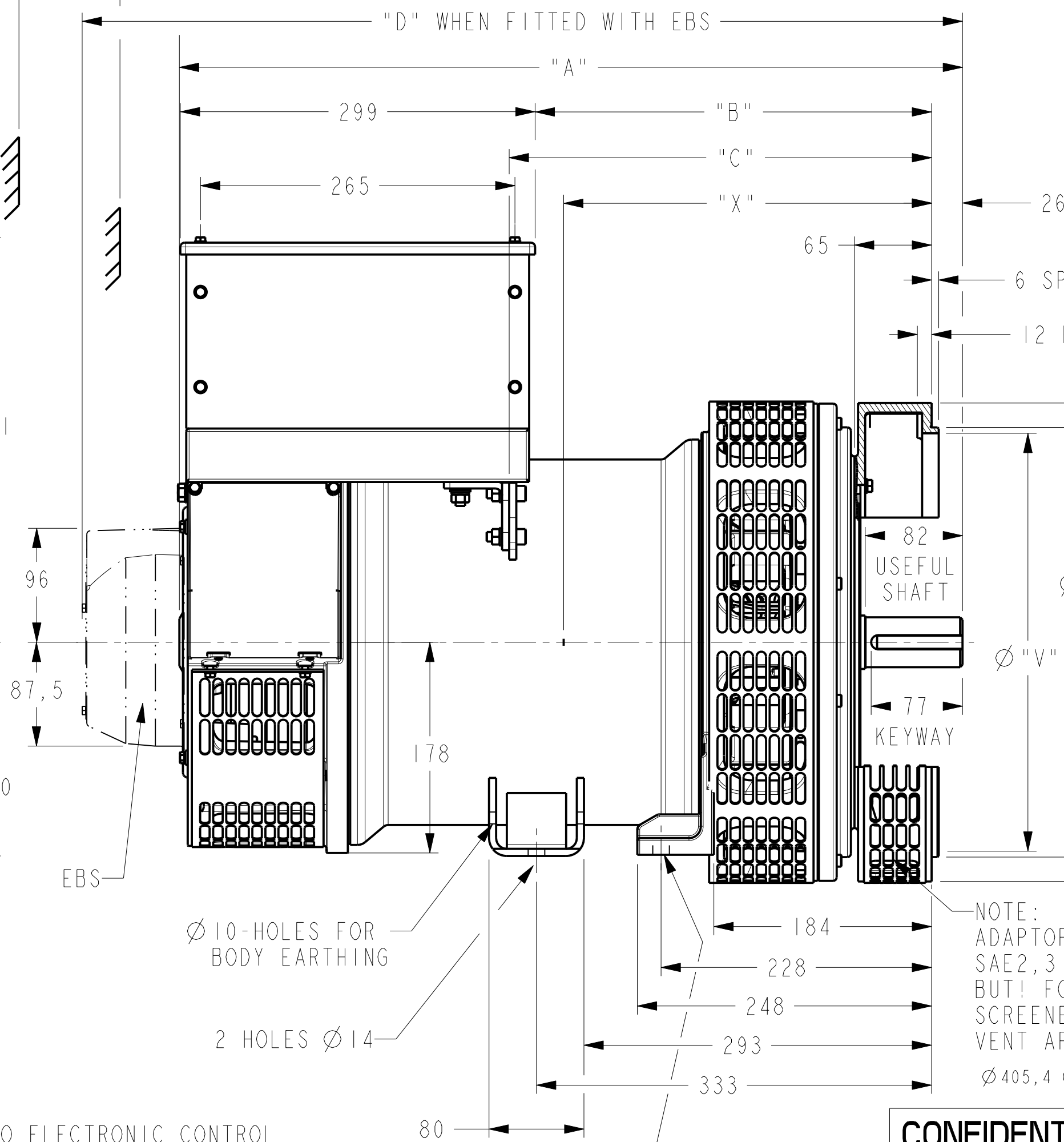
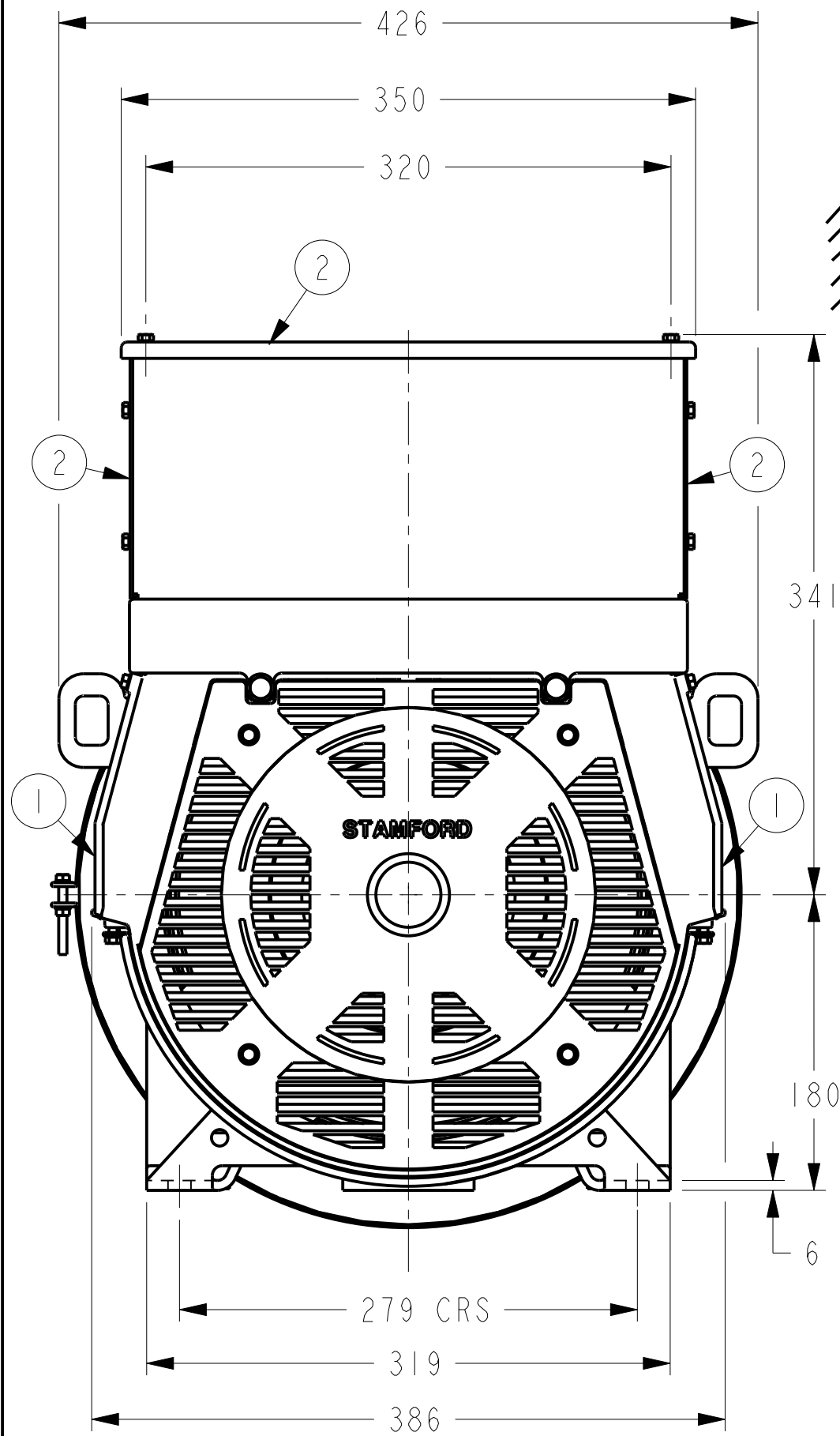


DIMENSIONS						
FRAME	"A"	"B"	"C"	"D"	"X"	NETT WT. (Kg)
PI4E2	605	329	322	678	245	150
PI4F2	620	344	336	703	260	158
PI4G2	660	384	356	743	280	175

ADAPTOR DIMENSIONS							
SAE	"M"	"N"	"P"	"U"	"V"	"W"	"Y"
2	12	11	466.7	15°	432	447.6	495
3	12	11	428.6	15°	396	409.5	451
4	12	11	381.0	15°	352	361.9	403
5	8	11	333.3	22.5°	301	314.3	356

135 MIN. CLEARANCE REQUIRED
WHEN FITTED WITH EBS.

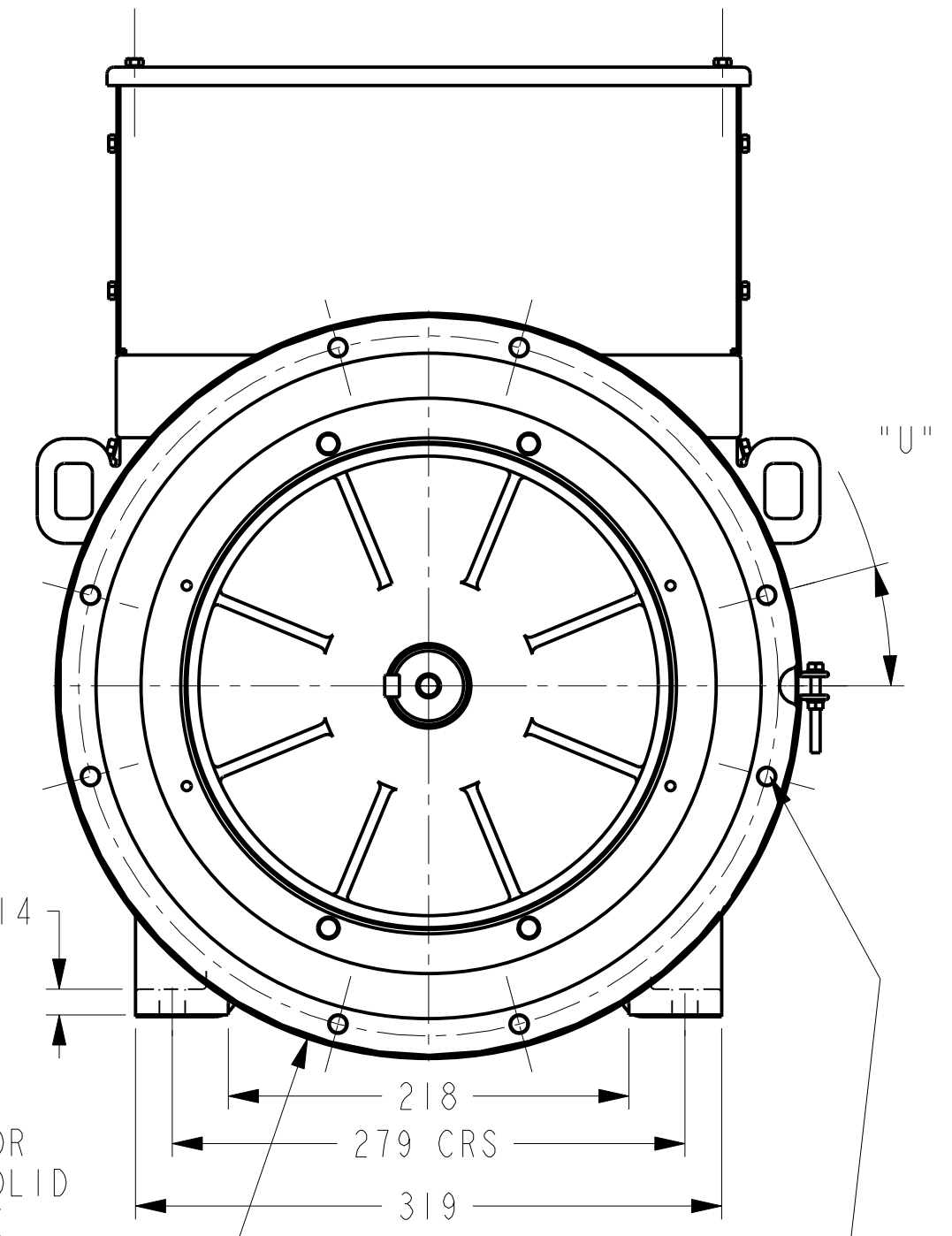
50 MIN. AIR GAP WHEN
NOT FITTED WITH EBS



6 SPIGOT
12 FLANGE

Ø "Y" FLANGE FACE
Ø "W"
Ø "V"

NOTE:
ADAPTOR COVERS FOR
SAE2, 3 & 5 ARE SOLID
BUT! FOR SAE4 ARE
SCREENED WITH A FREE
VENT AREA OF 202 SQ CM
Ø405,4 OVER COVER (END BRACKET)



"M" - HOLES Ø "N"
EQUI- SPACED
ON "P" PCD

- ① -REMOVABLE COVER FOR ACCESS TO ELECTRONIC CONTROL
- ② -REMOVABLE COVER FOR ACCESS TO MAIN TERMINALS

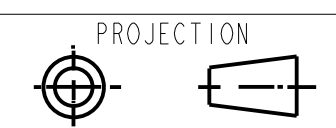
Ø 10-HOLES FOR
BODY EARTHING

2 HOLES Ø 14

2 HOLES Ø 14

CONFIDENTIAL PROPERTY OF
CUMMINS GENERATOR TECHNOLOGIES LTD.

DIMENSIONS IN MILLIMETRES
(MM) AT 20°C



UNLIMITED DIMS ± --

PI E/F/G 4-POLE
2-BEARING ALTERNATOR
WITH COUPLING ADAPTOR
LARGE TERMINAL BOX
REMOVABLE SIDE PANELS

DRG. SIZE C	SCALE 3:10
PART No 19-1117	ISSUE B
SHEET 1 OF 1	SHEETS

MOD.	ISSUE	DRAWN	DATE	MODIFICATION
4-9346-01	B	DW	4/12/07	ADDED DIMENSION 26 (FROM SHAFT END TO ADAPTOR FACE)
4-9111-81	A	DW	7/11/07	ORIGINAL ISSUE