

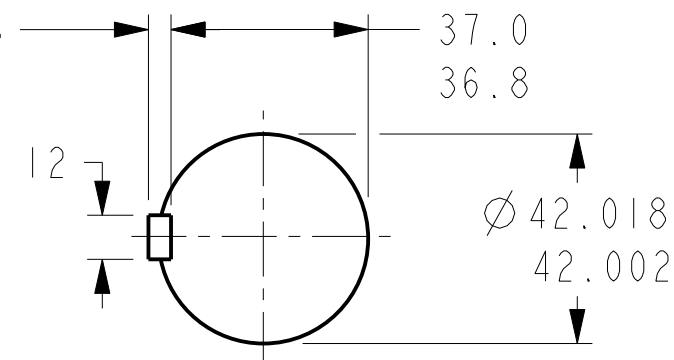
DRG. SIZE C REL. PHASE P PART No 19-1119 ISSUE B

IF IN DOUBT-ASK  
DO NOT SCALE

DIMENSIONS						
FRAME	"A"	"B"	"C"	"D"	"X"	NETT WT. (Kg)
PI2H2	685	294	306	767	265	178
PI2J2	715	324	321	797	280	189

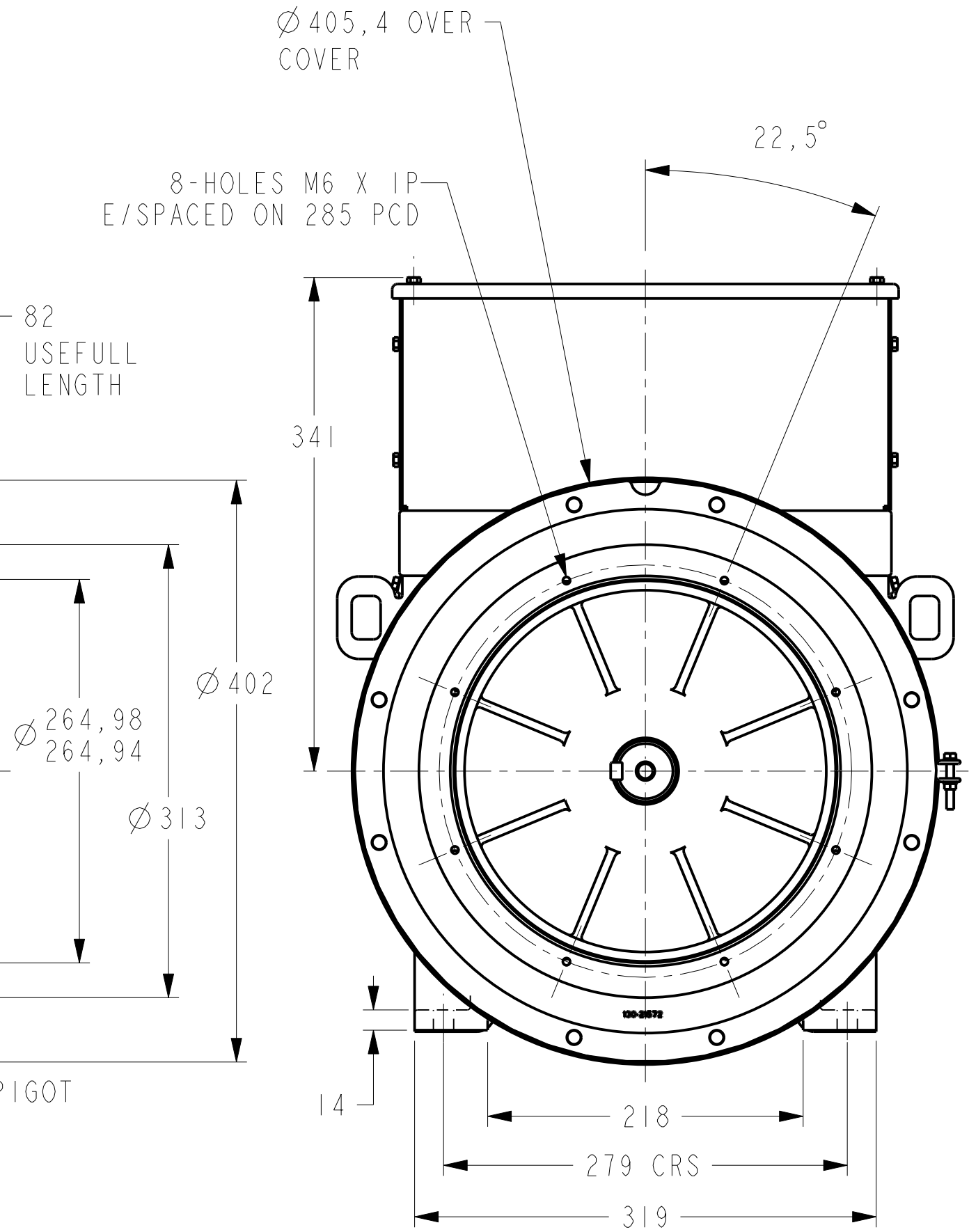
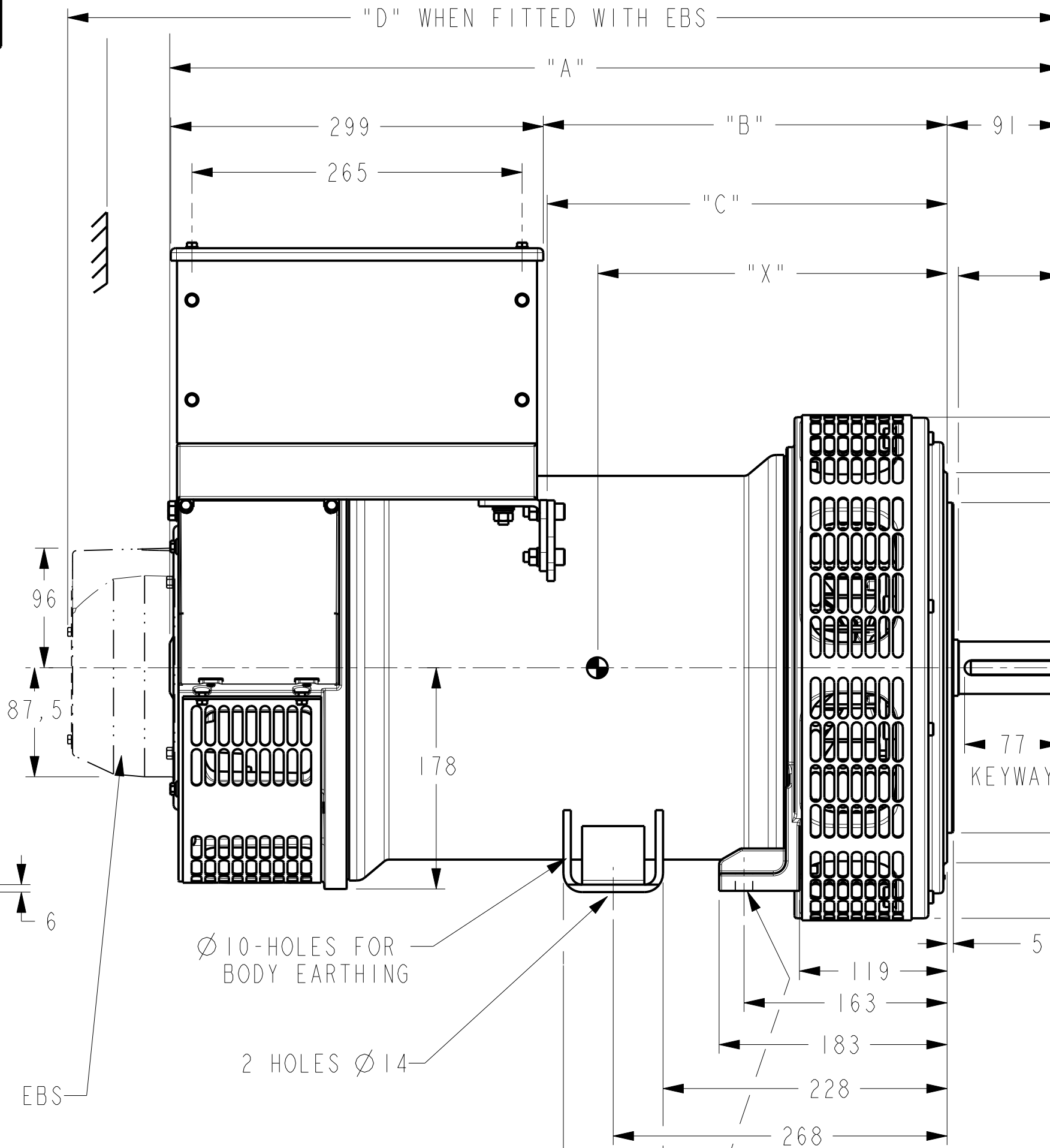
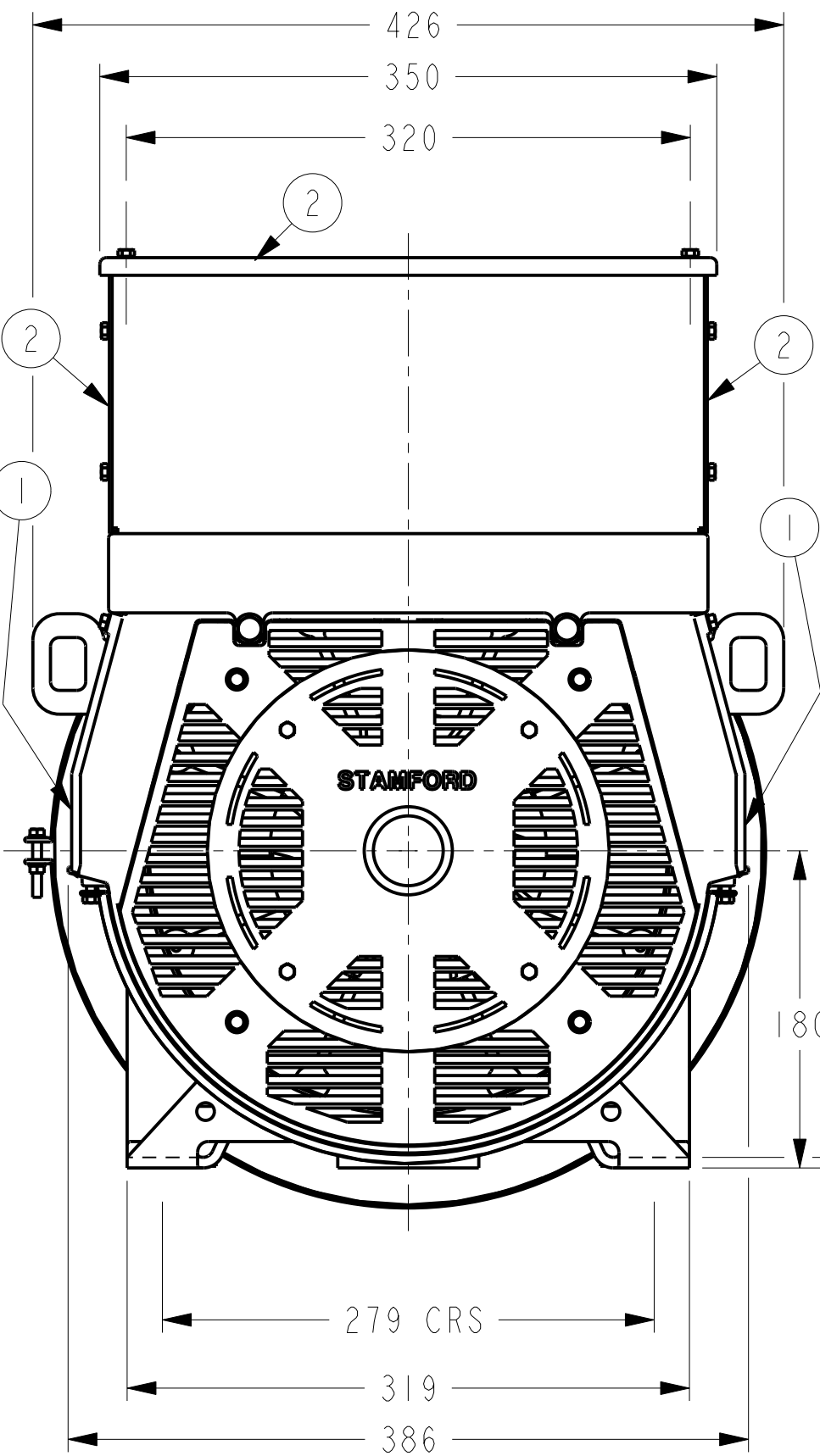
135 MIN. CLEARANCE REQUIRED  
WHEN FITTED WITH EBS.

SHAFT EXTENSION  
DETAIL



50 MIN. AIR ENTRY WHEN  
NOT FITTED WITH EBS.

"D" WHEN FITTED WITH EBS



- ① - REMOVABLE COVER FOR ACCESS TO ELECTRONIC CONTROL
- ② - REMOVABLE COVER FOR ACCESS TO MAIN TERMINALS

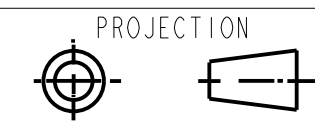
Ø 10-HOLES FOR  
BODY EARTHING

2 HOLES Ø 14

2 HOLES Ø 14

**CONFIDENTIAL** PROPERTY OF  
CUMMINS GENERATOR TECHNOLOGIES LTD.

DIMENSIONS IN MILLIMETRES  
(MM) AT 20°C



UNLIMITED DIMS ± --

DRAWN	DW	4/12/07
CHECKED	DW	4/12/07
APPROVED	DPC	4/12/07

PI H/J 2-POLE  
2-BEARING ALTERNATOR  
LARGE TERMINAL BOX  
REMOVABLE SIDE PANELS

DRG. SIZE	C	SCALE	3:10
REL. PHASE	P	PART No	19-1119
PRO/ENGINEER		SHEET	1 OF 1 SHEETS

4-9346-01	B	DW	4/12/07	ORIGINAL ISSUE
MOD.	ISSUE	DRAWN	DATE	MODIFICATION