

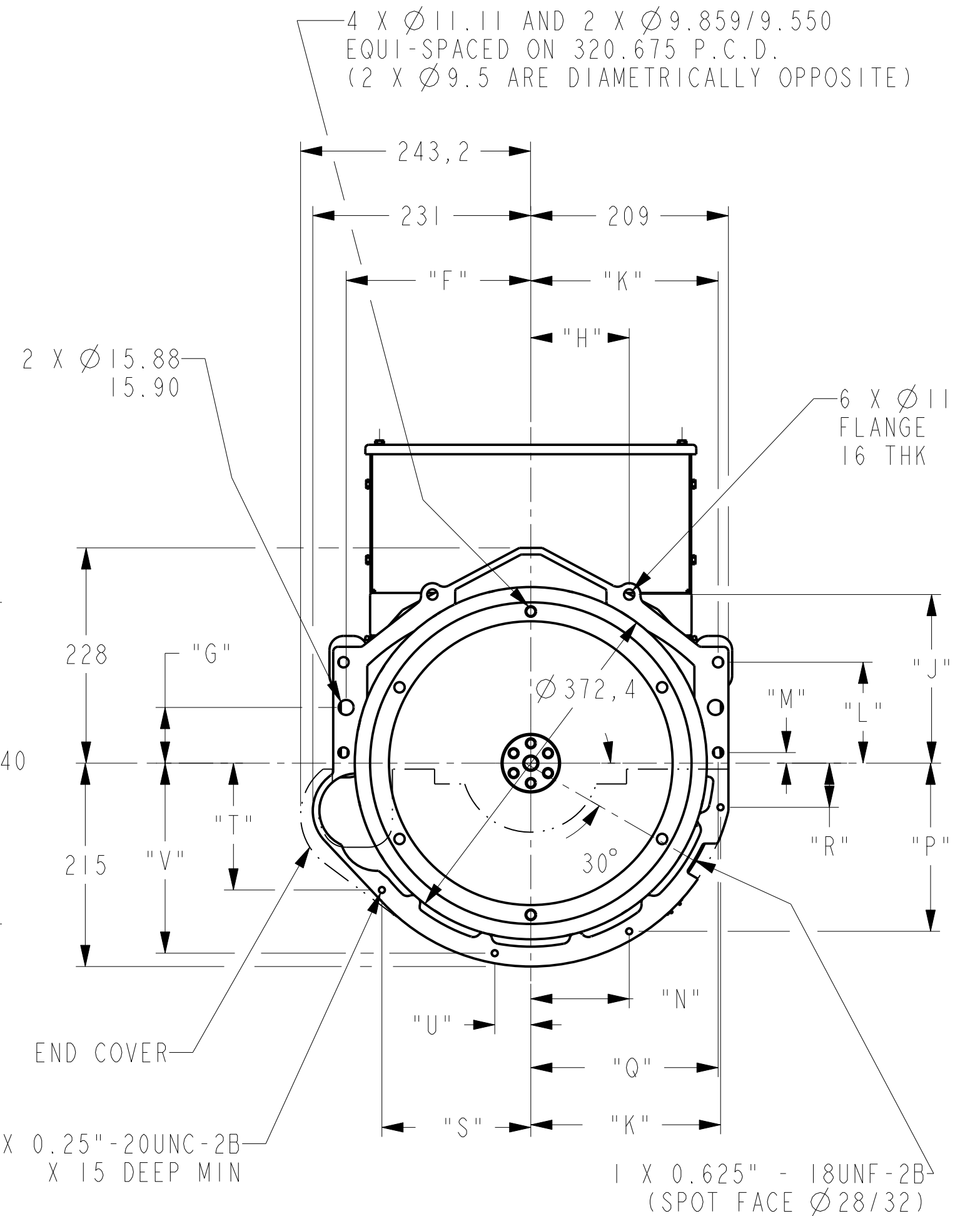
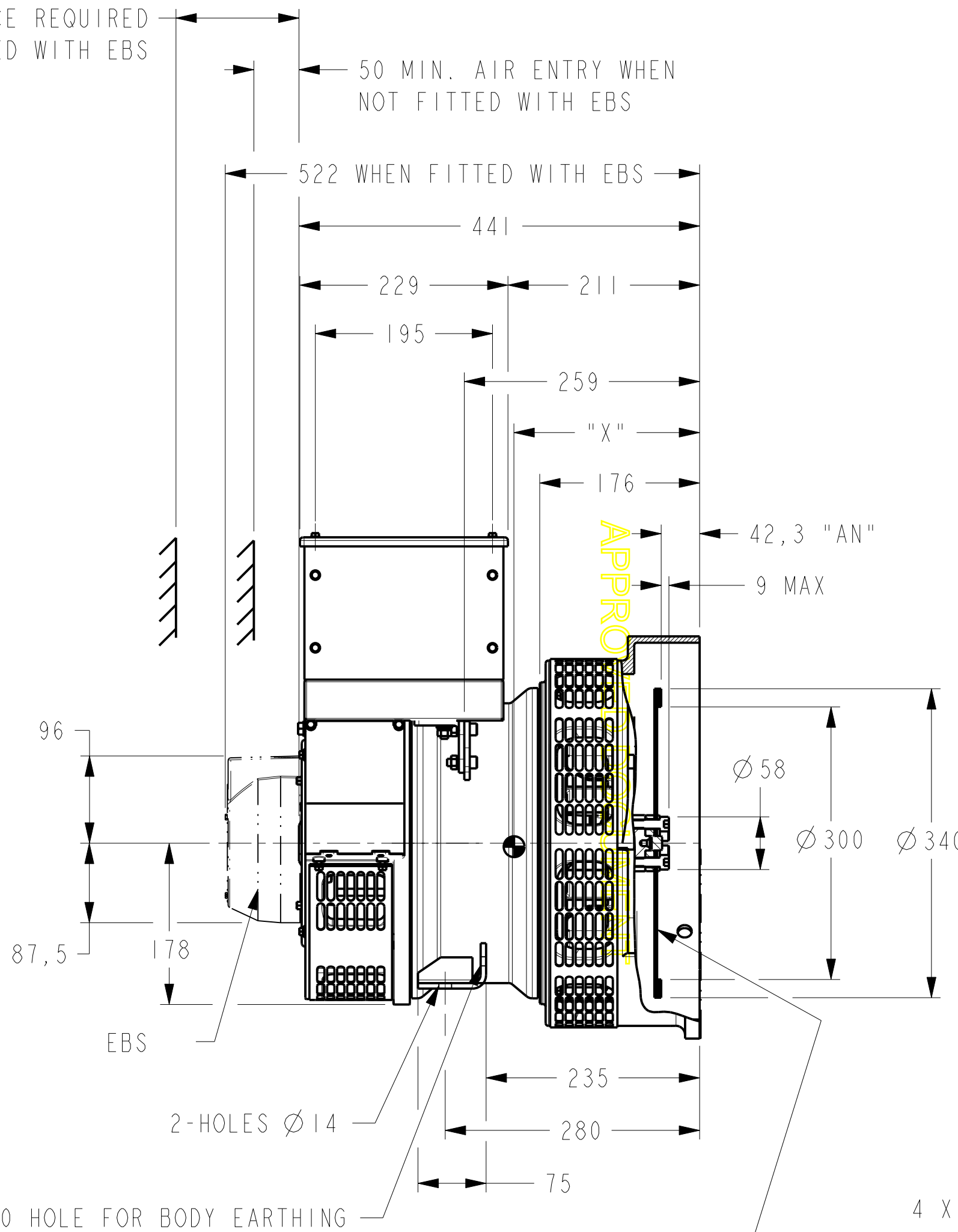
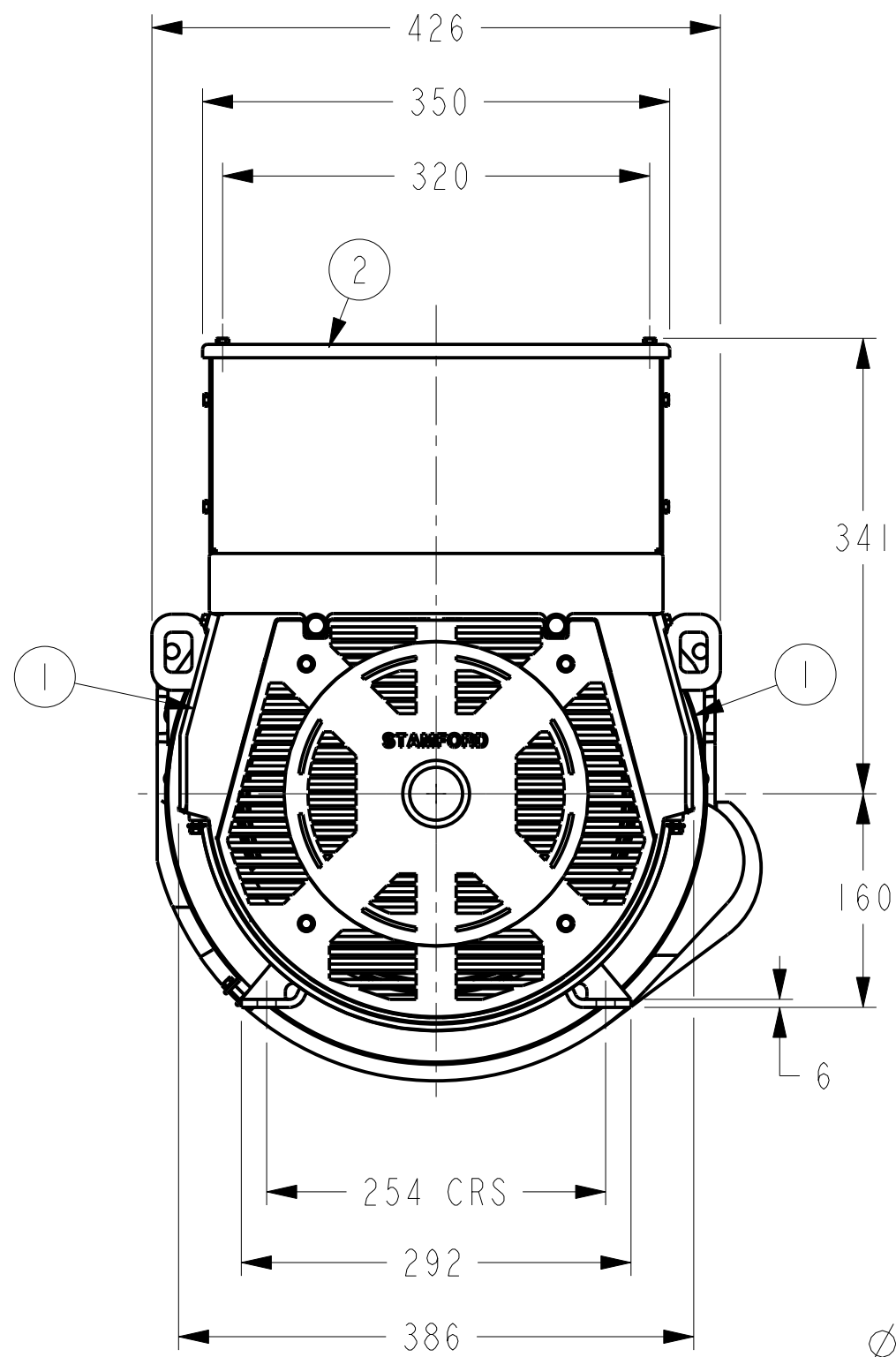
IF IN DOUBT-ASK
DO NOT SCALE

| | | | | | | | | | | | | | | |
|-------|------|-------|-------|-------|-------|------|-------|-------|-------|------|-------|-------|------|-------|
| F | G | H | J | K | L | M | N | P | Q | R | S | T | U | V |
| 195.3 | 58.9 | 104.1 | 178.3 | 198.1 | 106.7 | 11.2 | 104.1 | 177.8 | 200.7 | 46.7 | 157.5 | 134.1 | 38.1 | 200.9 |

| | NETT. WT (Kg) | "X" |
|-------|---------------|-----|
| P04DI | 85 | 205 |
| P02DI | 86 | 200 |
| P04EI | 90 | 195 |

135 MIN. CLEARANCE REQUIRED
WHEN FITTED WITH EBS

50 MIN. AIR ENTRY WHEN
NOT FITTED WITH EBS



2 PLATE COUPLING 3mm THICK: 3-DISC
SPACER 4.5mm THICK: TOTAL THICKNESS
7.5mm: HUB SECURING SCREWS TO BE
TIGHTENED TO A TORQUE OF 7.6 kgfm(75Nm)

- ① - REMOVABLE COVERS FOR ACCESS TO ELECTRONIC CONTROL
- ② - REMOVABLE COVER FOR ACCESS TO MAIN TERMINALS

| | | | | |
|-----------|-------|-------|---------|----------------|
| 4-9346-48 | A | DW | 14/2/08 | ORIGINAL ISSUE |
| MOD. | ISSUE | DRAWN | DATE | MODIFICATION |

| | | | | | |
|---|--|--|---------|--|--------------------|
| CONFIDENTIAL | | PROPERTY OF CUMMINS GENERATOR TECHNOLOGIES LTD. | | POD/E 4-POLE & POD 2-POLE 1-BEARING ALTERNATOR WITH ADAPTOR / COUPLING TO SUIT 'GM' ENGINE LARGE T/BOX - REMOVABLE SIDE PANELS | |
| DIMENSIONS IN MILLIMETRES (MM) AT 20°C | | PROJECTION | | DRG. SIZE C | SCALE 1:5 |
| UNLIMITED DIMS ± -- | | DRAWN DW | 14/2/08 | REL. PHASE P | PART No 19-1122 |
| | | CHECKED DW | 14/2/08 | Pro/ENGINEER | ISSUE A |
| | | APPROVED SMH | 14/2/08 | SHEET 1 OF 1 SHEETS | |