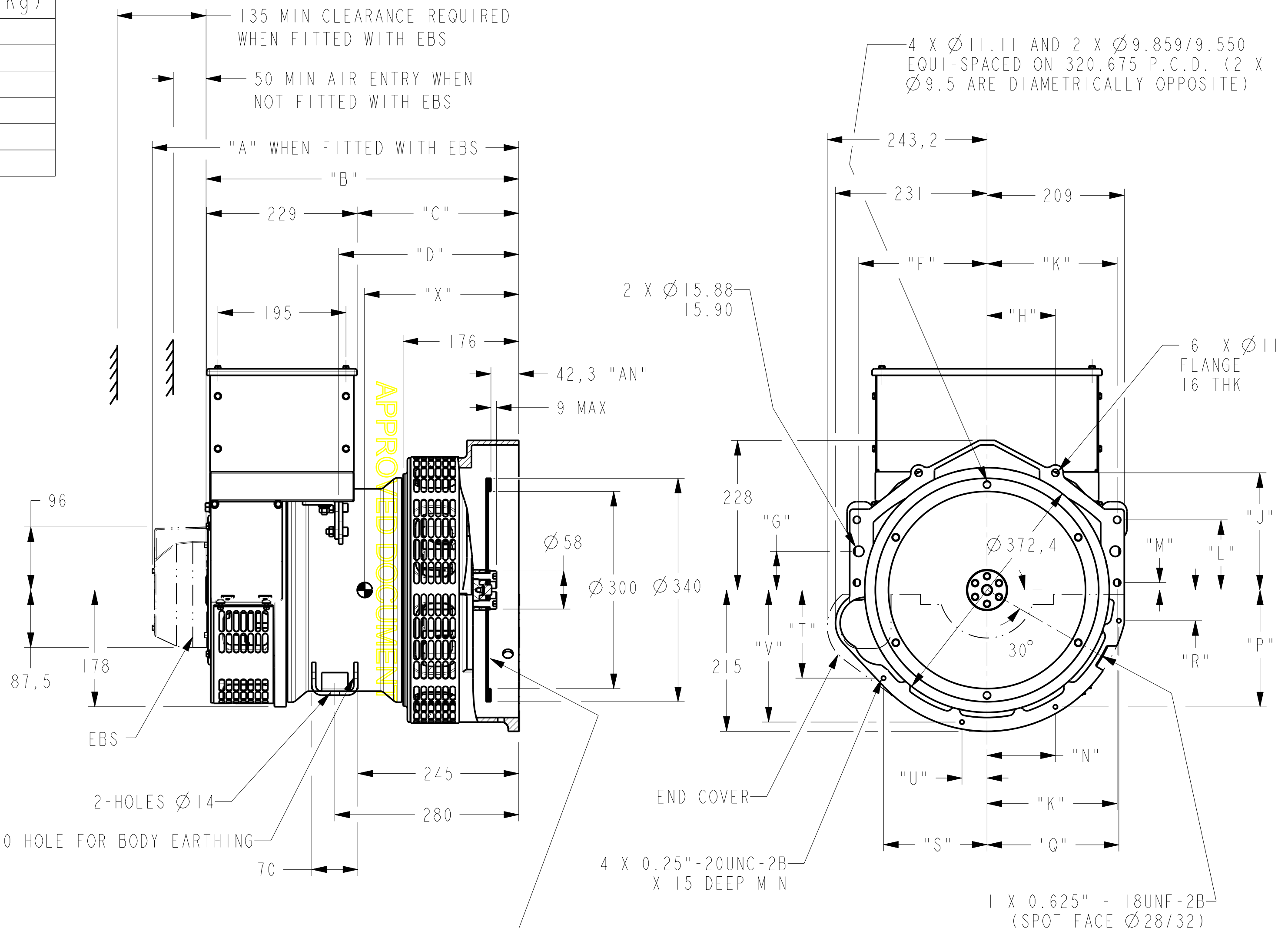
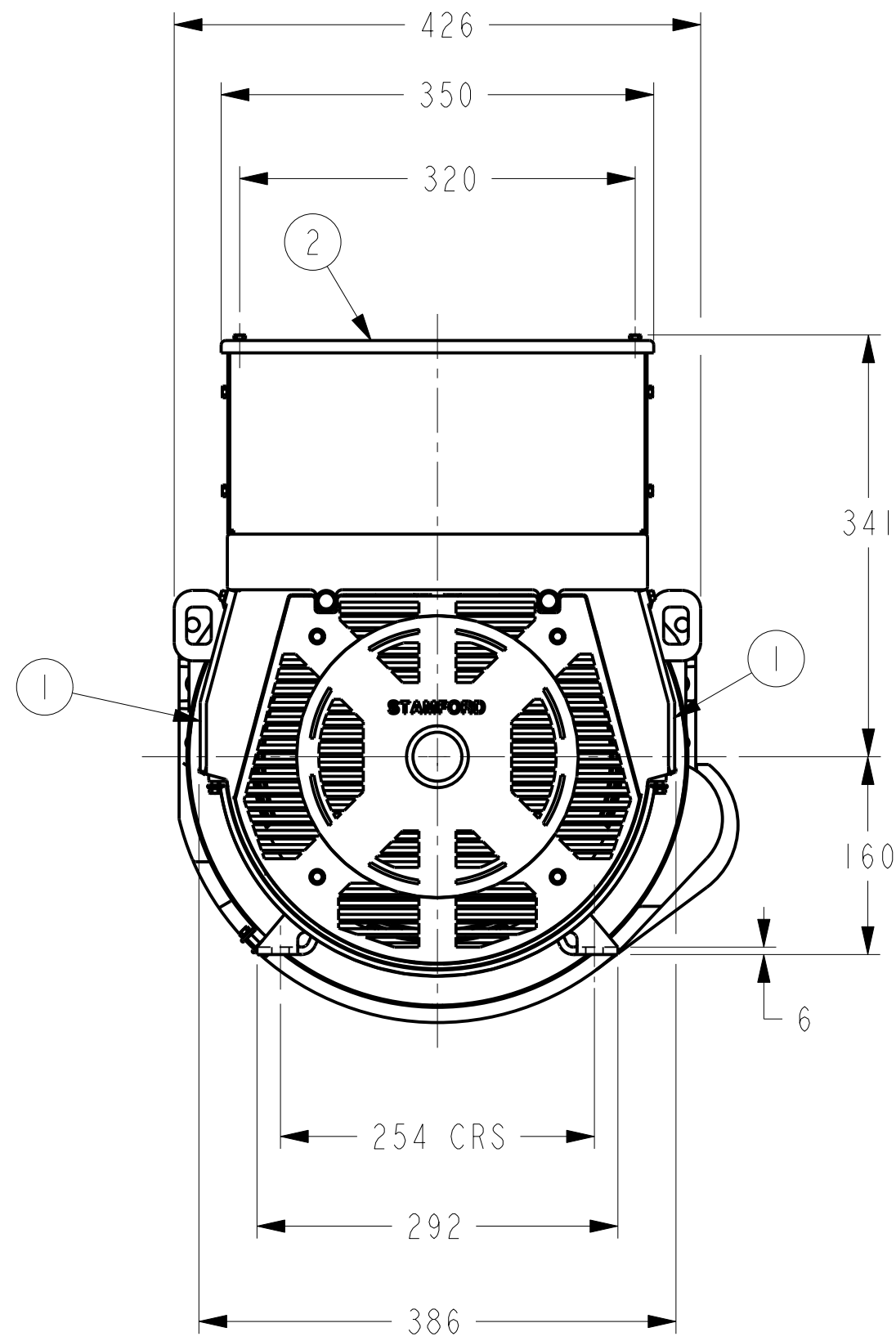


F	G	H	J	K	L	M	N	P	Q	R	S	T	U	V
195.3	58.9	104.1	178.3	198.1	106.7	11.2	104.1	177.8	200.7	46.7	157.5	134.1	38.1	200.9

FRAME	A	B	C	D	X	NET WT. (Kg)
P02E1	558	476	246	274	240	95
P04F1	558	476	246	274	235	100
P02F1	558	476	246	274	235	105
P04G1	558	476	246	274	230	110
P02G1	573	491	261	289	245	110
P04H1	573	491	261	289	235	120



- ① - REMOVABLE COVERS FOR ACCESS TO ELECTRONIC CONTROL
- ② - REMOVABLE COVER FOR ACCESS TO MAIN TERMINALS

2 PLATE COUPLING 3mm THICK: 3-DISC  
SPACER 4.5mm THICK: TOTAL THICKNESS  
7.5mm: HUB SECURING SCREWS TO BE  
TIGHTENED TO A TORQUE OF 7.6 kgfm(75Nm)

<b>CONFIDENTIAL</b>		PROPERTY OF CUMMINS GENERATOR TECHNOLOGIES LTD.		POF/G/H 4-POLE & P0E/F/G 2-POLE 1-BRG ALTERNATOR WITH ADAPTOR / COUPLING TO SUIT 'GM' ENGINES LARGE T/BOX - REMOVABLE SIDE PANELS	
DIMENSIONS IN MILLIMETRES (MM) AT 20°C		PROJECTION 		DRG. SIZE C	SCALE 1:5
UNLIMITED DIMS ± --		DRAWN DW	14/2/08	REL. PHASE P	PART No 19-1123
		CHECKED DW	14/2/08	PRO/ENGINEER	ISSUE A
		APPROVED SMH	14/2/08	SHEET 1 OF 1 SHEETS	

4-9346-48	A	DW	14/2/08	ORIGINAL ISSUE
MOD.	ISSUE	DRAWN	DATE	MODIFICATION