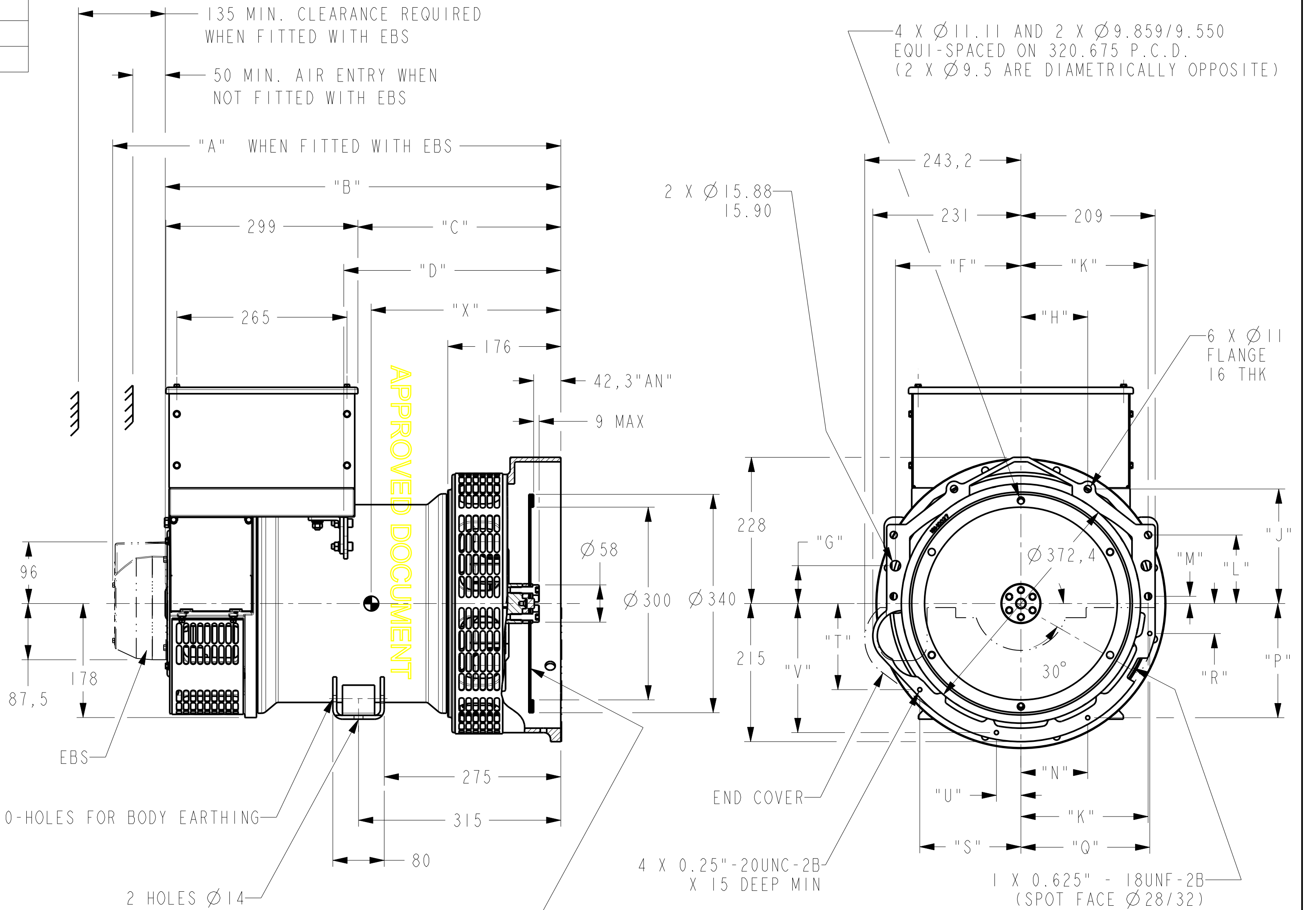
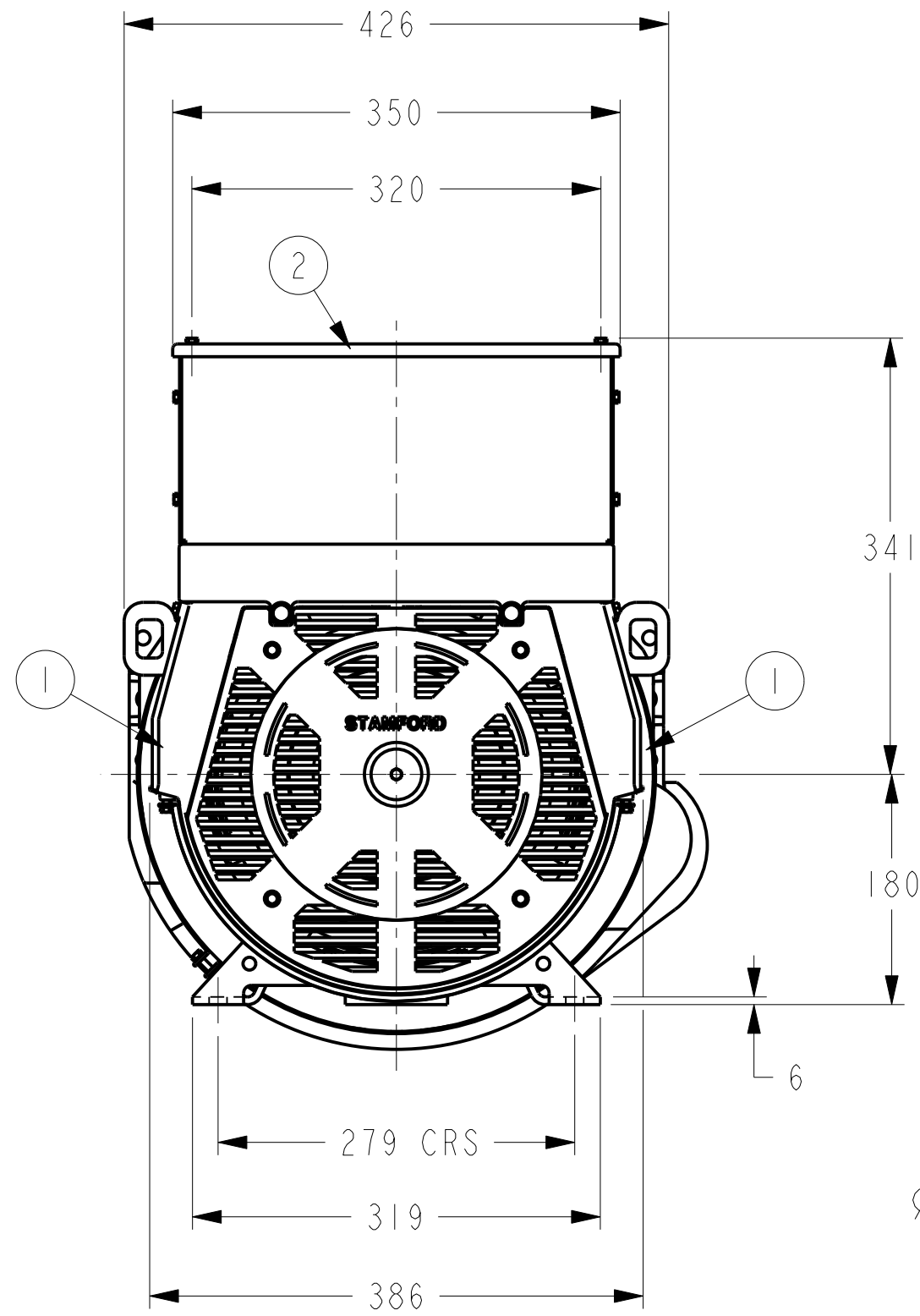


DRG. SIZE C REL. PHASE P PART No 19-1125 ISSUE A

IF IN DOUBT-ASK
DO NOT SCALE

| | | | | | | | | | | | | | | |
|-------|------|-------|-------|-------|-------|------|-------|-------|-------|------|-------|-------|------|-------|
| F | G | H | J | K | L | M | N | P | Q | R | S | T | U | V |
| 195.3 | 58.9 | 104.1 | 178.3 | 198.1 | 106.7 | 11.2 | 104.1 | 177.8 | 200.7 | 46.7 | 157.5 | 134.1 | 38.1 | 200.9 |

| FRAME | "A" | "B" | "C" | "D" | "X" | NETT WEIGHT (Kg) |
|-------|-----|-----|-----|-----|-----|------------------|
| PI4EI | 643 | 561 | 261 | 304 | 295 | 145 |
| PI4FI | 658 | 576 | 276 | 318 | 310 | 155 |
| PI4GI | 698 | 616 | 316 | 338 | 330 | 170 |



- ① -REMOVABLE COVER FOR ACCESS TO ELECTRONIC CONTROL
- ② -REMOVABLE COVER FOR ACCESS TO MAIN TERMINALS

2 PLATE COUPLING 3mm THICK: 3-DISC
SPACER 4.5mm THICK: TOTAL THICKNESS
7.5mm: HUB SECURING SCREWS TO BE
TIGHTENED TO A TORQUE OF 7.6 kgfm(75Nm)

| | | | | | |
|---------------------|---|-----|--|---------------|---|
| CONFIDENTIAL | PROPERTY OF CUMMINS GENERATOR TECHNOLOGIES LTD. | | PI E/F/G 4-POLE 1- BEARING ALTERNATOR WITH ADAPTOR / COUPLING TO SUIT 'GM' ENGINES LARGE T/BOX - REMOVABLE SIDE PANELS | | |
| | DIMENSIONS IN MILLIMETRES (MM) AT 20°C | | PROJECTION | | |
| UNLIMITED DIMS ± -- | DRAWN | DW | 14/2/08 | DRG. SIZE | C |
| | CHECKED | DW | 14/2/08 | REL. PHASE | P |
| | APPROVED | SMH | 14/2/08 | Pro/ENGINEER | |
| | | | SCALE | 1:5 | |
| | | | PART No | 19-1125 | |
| | | | ISSUE | A | |
| | | | SHEET | 1 OF 1 SHEETS | |

| | | | | |
|-----------|-------|-------|---------|----------------|
| 4-9346-48 | A | DW | 14/2/08 | ORIGINAL ISSUE |
| MOD. | ISSUE | DRAWN | DATE | MODIFICATION |