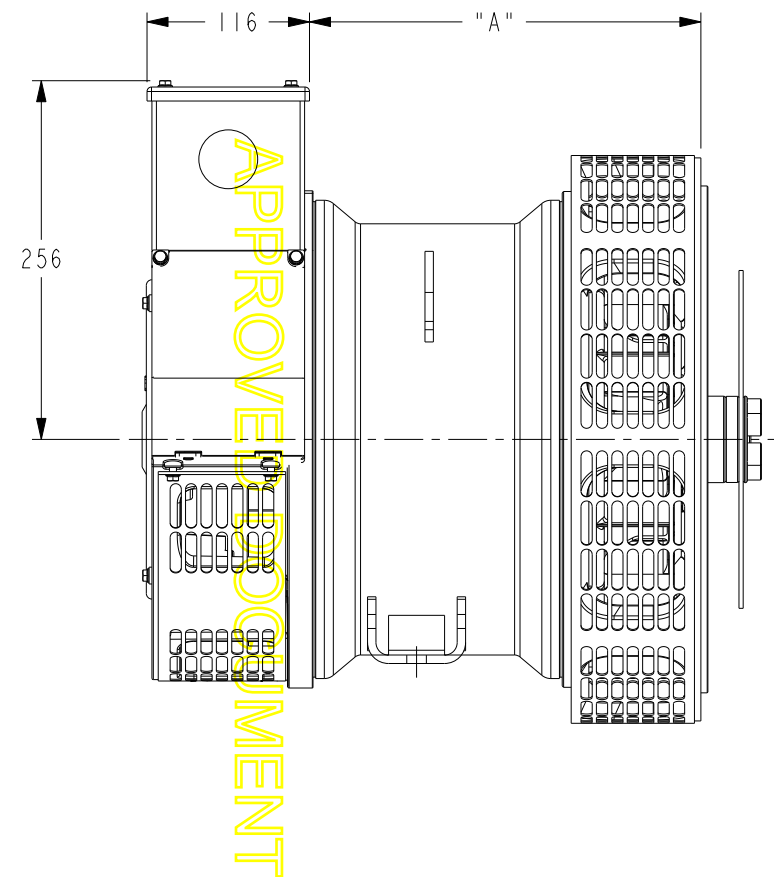
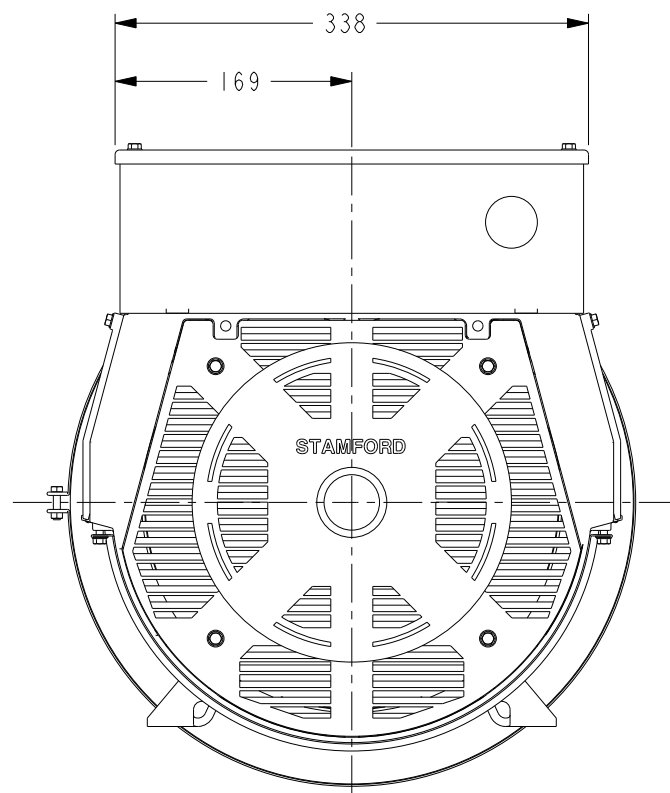


DRG. SIZE C	REL. PHASE P	PART No 19-1140	ISSUE A
----------------	-----------------	--------------------	------------

IF IN DOUBT-ASK
DO NOT SCALE



FRAME	"A"
P02D	244,5
P04D	244,5
P02E	279,5
P04E	244,5
P02F	279,5
P04F	279,5
P02G	294,5
P04G	279,5
P04H	294,5

FRAME	"A"
P12D	319,5
P14D	319,5
P12E	344,5
P12F	359,5
P12G	399,5

NOTE!
THIS DRAWING TO BE USED IN CONJUNCTION WITH THE
RELEVANT MACHINE GENERAL ARRANGEMENT DRAWING

4-9667-72	A	AV	11:05:09	ORIGINAL ISSUE
MOD.	ISSUE	DRAWN	DATE	MODIFICATION

CONFIDENTIAL PROPERTY OF
CUMMINS GENERATOR TECHNOLOGIES LTD.

P0 DEFGH 2 AND 4 POLE
P1 D 4 POLE AND P1 DEFG 2 POLE
I-BEARING
TALL T/BOX

DIMENSIONS IN MILLIMETRES
(MM) AT 20°C

PROJECTION



UNLIMITED DIMS ± --

DRAWN	AV	11:05:09
CHECKED	AV	11:05:09
APPROVED	JKB	11:05:09

DRG. SIZE
C

SCALE 3:10
PART No 19-1140

ISSUE A
SHEET 1 OF 1 SHEETS

REL. PHASE
P
Pro/ENGINEER