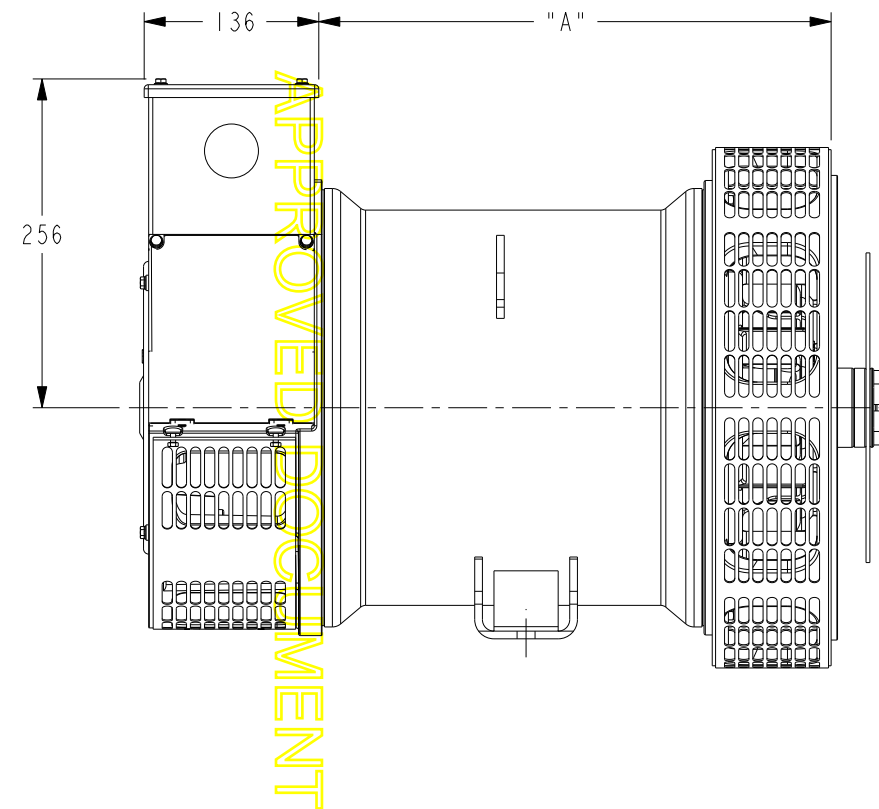
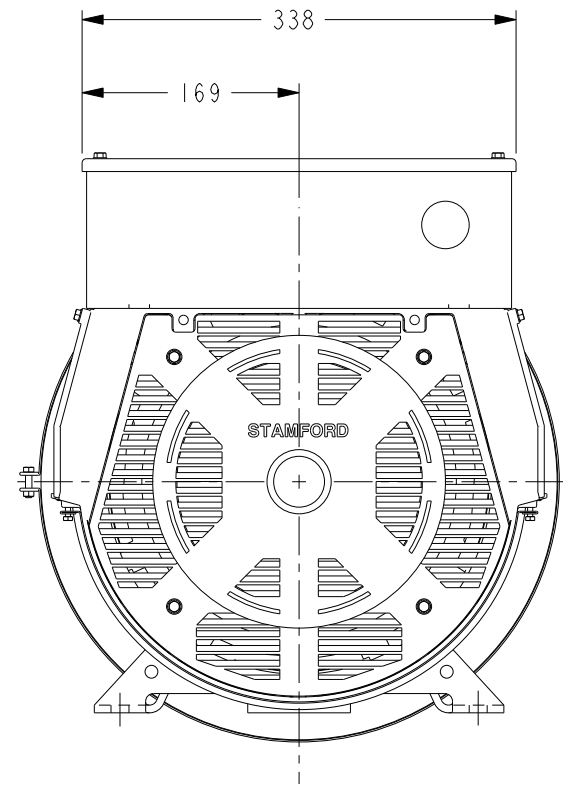


DRG. SIZE C	REL. PHASE P	PART No 19-1141	ISSUE A
----------------	-----------------	--------------------	------------

IF IN DOUBT-ASK
DO NOT SCALE



FRAME	"A"
PI4E	344,5
PI4F	359,5
PI4G	399,5
PI2H/PI4H	424,5
PI2J/PI4J	454,5
PI4K	469,5

NOTE!
THIS DRAWING TO BE USED IN CONJUNCTION WITH THE
RELEVANT MACHINE GENERAL ARRANGEMENT DRAWING

4-9667-72	A	AV	11:05:09	ORIGINAL ISSUE
MOD.	ISSUE	DRAWN	DATE	MODIFICATION

CONFIDENTIAL PROPERTY OF
CUMMINS GENERATOR TECHNOLOGIES LTD.

PI HJ 2-POLE
PI EFGHJK 4-POLE
I-BEARING
TALL T/BOX

DIMENSIONS IN MILLIMETRES
(MM) AT 20°C

PROJECTION



UNLIMITED DIMS ± --

DRAWN	AV	11:05:09
CHECKED	AV	11:05:09
APPROVED	JKB	11:05:09

DRG. SIZE
C

SCALE
3:10

REL. PHASE
P

PART No
19-1141

ISSUE
A

SHEET 1 OF 1 SHEETS