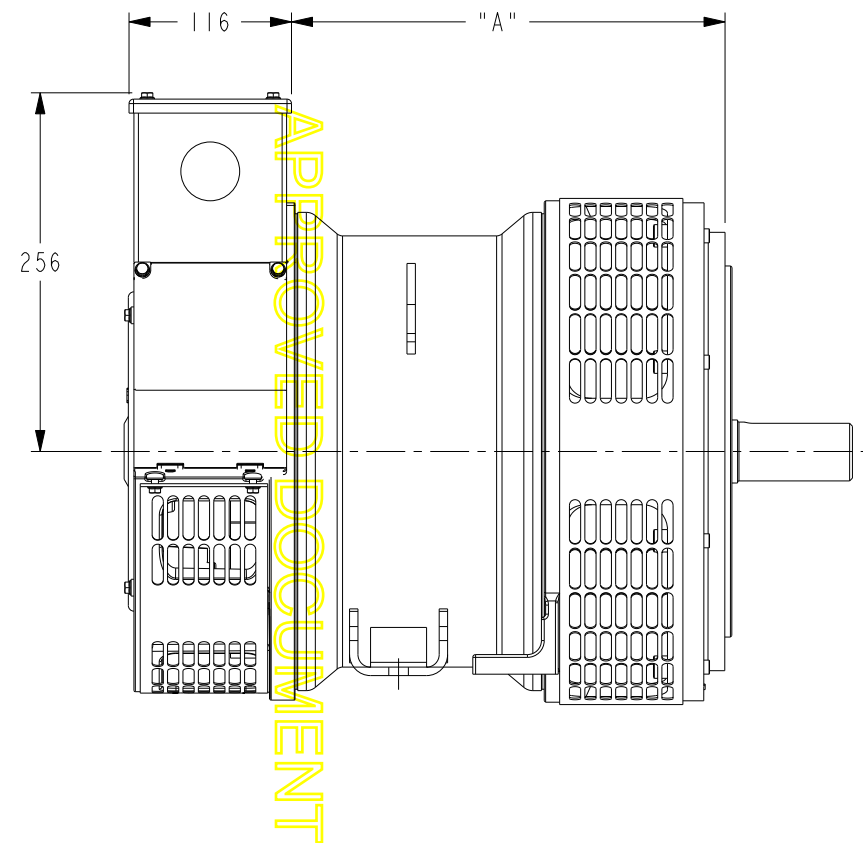
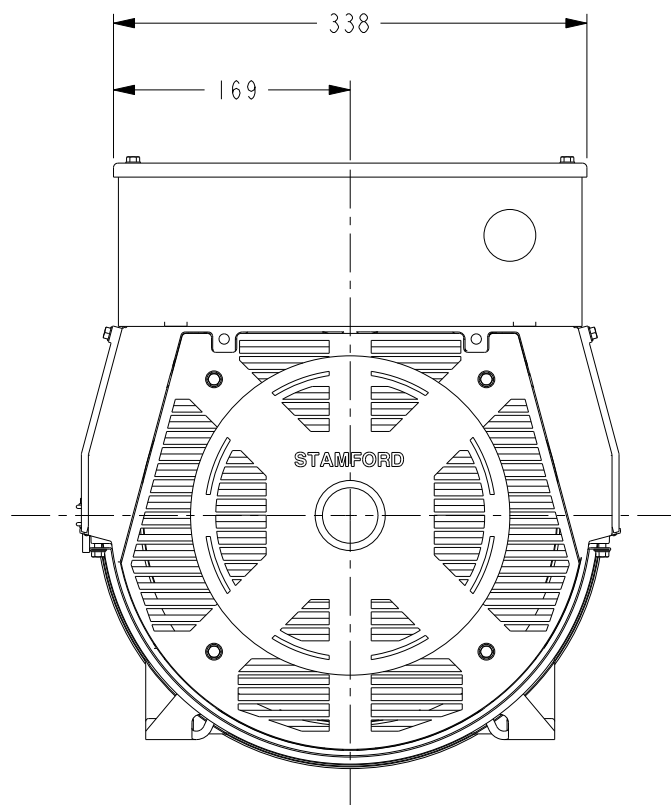


DRG. SIZE C	REL. PHASE P	PART No 19-1142	ISSUE A
----------------	-----------------	--------------------	------------

IF IN DOUBT-ASK
DO NOT SCALE



FRAME	"A"
P02D	275
P04D	275
P02E	310
P04E	275
P02F	310
P04F	310
P02G	325
P04G	310
P04H	325

FRAME	"A"
P12D	350
P14D	350
P12E	375
P12F	390
P12G	430

NOTE!
THIS DRAWING TO BE USED IN CONJUNCTION WITH THE
RELEVANT MACHINE GENERAL ARRANGEMENT DRAWING

4-9667-72	A	AV	11:05:09	ORIGINAL ISSUE
MOD.	ISSUE	DRAWN	DATE	MODIFICATION

CONFIDENTIAL	PROPERTY OF CUMMINS GENERATOR TECHNOLOGIES LTD.		P0 DEFGH 2 AND 4 POLE P1 D 4 POLE AND P1 DEFG 2 POLE 2-BEARING TALL T/BOX	
	DIMENSIONS IN MILLIMETRES (MM) AT 20°C		PROJECTION 	
UNLIMITED DIMS ± --		DRG. SIZE C	SCALE 3:10	
		DRAWN AV 11:05:09	PART No 19-1142	
		CHECKED AV 11:05:09	ISSUE A	
		APPROVED JKB 11:05:09	SHEET 1 OF 1 SHEETS	
		REL. PHASE P	Pro/ENGINEER	