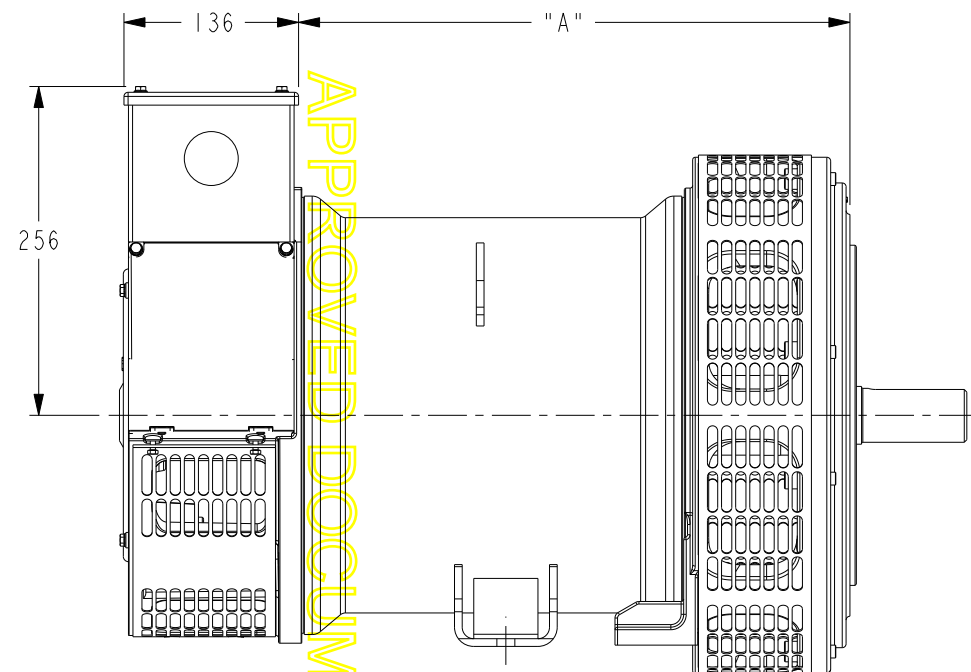
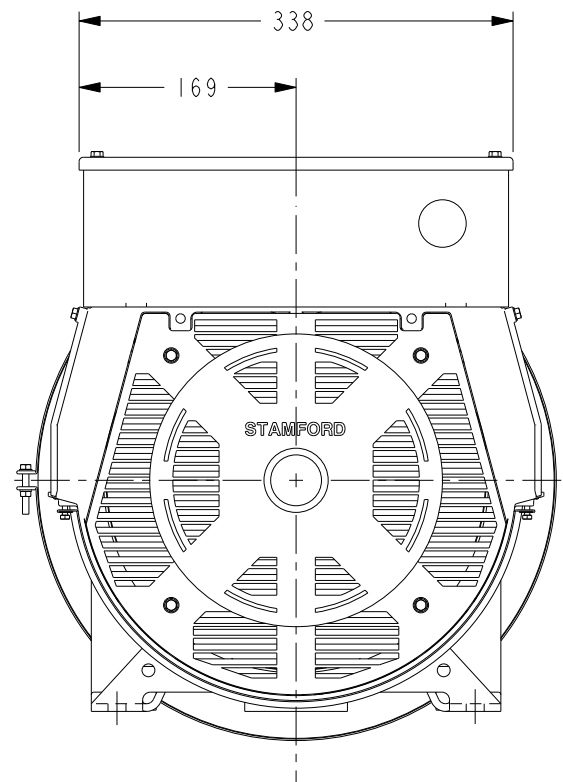


DRG. SIZE C	REL. PHASE P	PART No 19-1143	ISSUE A
----------------	-----------------	--------------------	------------

IF IN DOUBT-ASK
DO NOT SCALE



FRAME	"A"
PI4E	375
PI4F	390
PI4G	430
PI2H/PI4H	455
PI2J/PI4J	485
PI4K	500

NOTE!
THIS DRAWING TO BE USED IN CONJUNCTION WITH THE
RELEVANT MACHINE GENERAL ARRANGEMENT DRAWING

4-9667-72	A	AV	11:05:09	ORIGINAL ISSUE
MOD.	ISSUE	DRAWN	DATE	MODIFICATION

CONFIDENTIAL			PROPERTY OF CUMMINS GENERATOR TECHNOLOGIES LTD.		PI HJ 2-POLE PI EFGHJK 4-POLE 2-BEARING TALL T/BOX		
DIMENSIONS IN MILLIMETRES (MM) AT 20°C			PROJECTION 		DRG. SIZE C	SCALE 3:10	
UNLIMITED DIMS ± --			DRAWN AV 11:05:09	CHECKED AV 11:05:09	REL. PHASE P	PART No 19-1143	ISSUE A
			APPROVED JKB 11:05:09	Pro/ENGINEER	SHEET 1 OF 1 SHEETS		