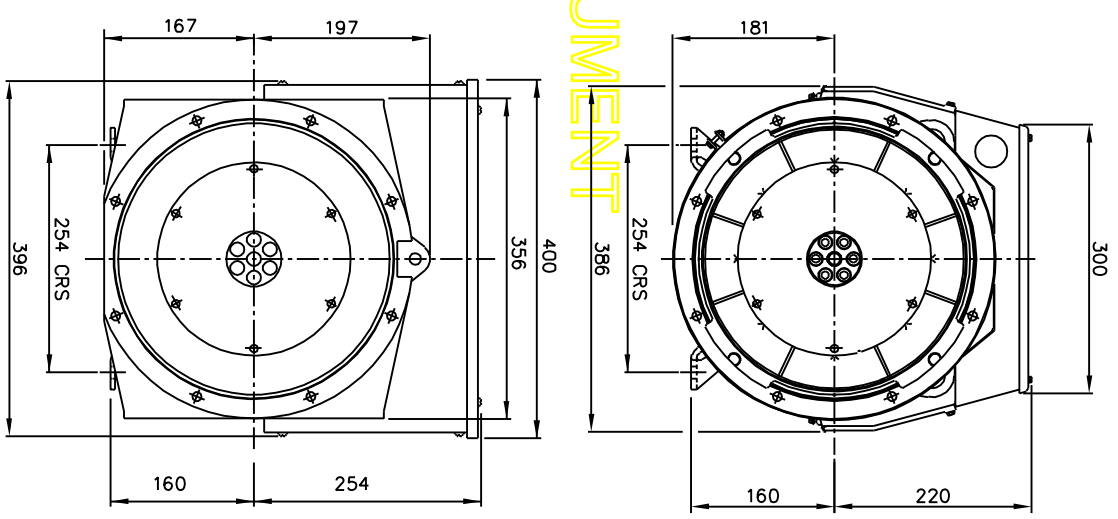
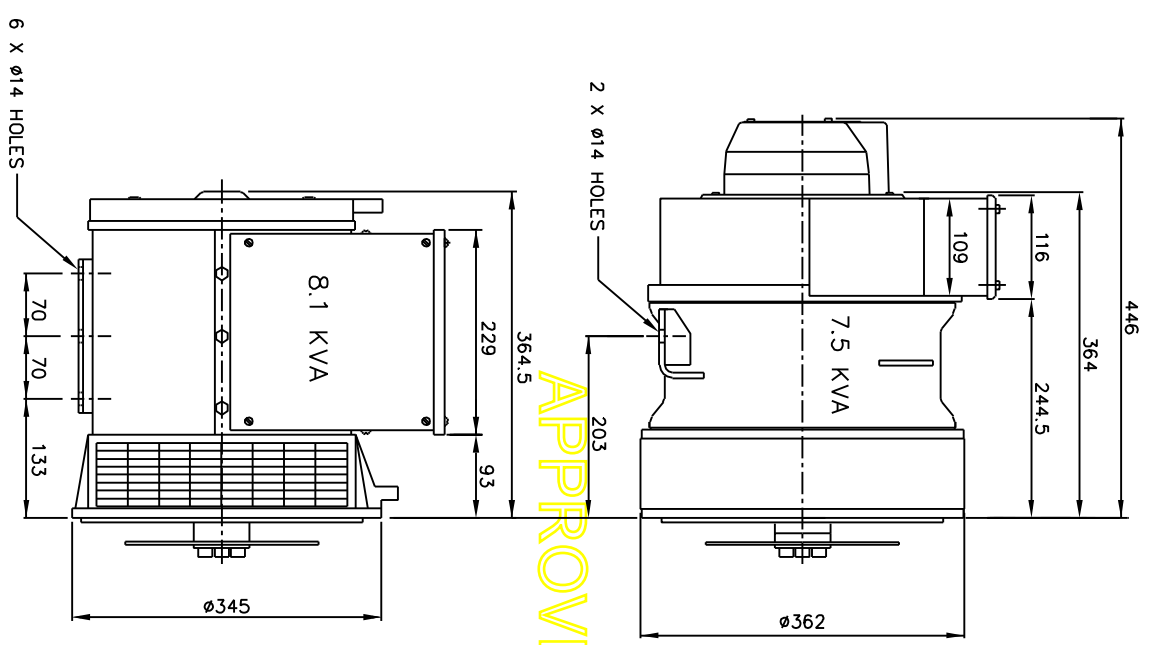


ADAPTOR SAE No 5 / COUPLING SAE No 6.5

P104D



APPROVED DOCUMENT

BC164A

NO.	ISSUE	DATE	ALTERATION
1	15/6/07	ORIGINAL ISSUE	

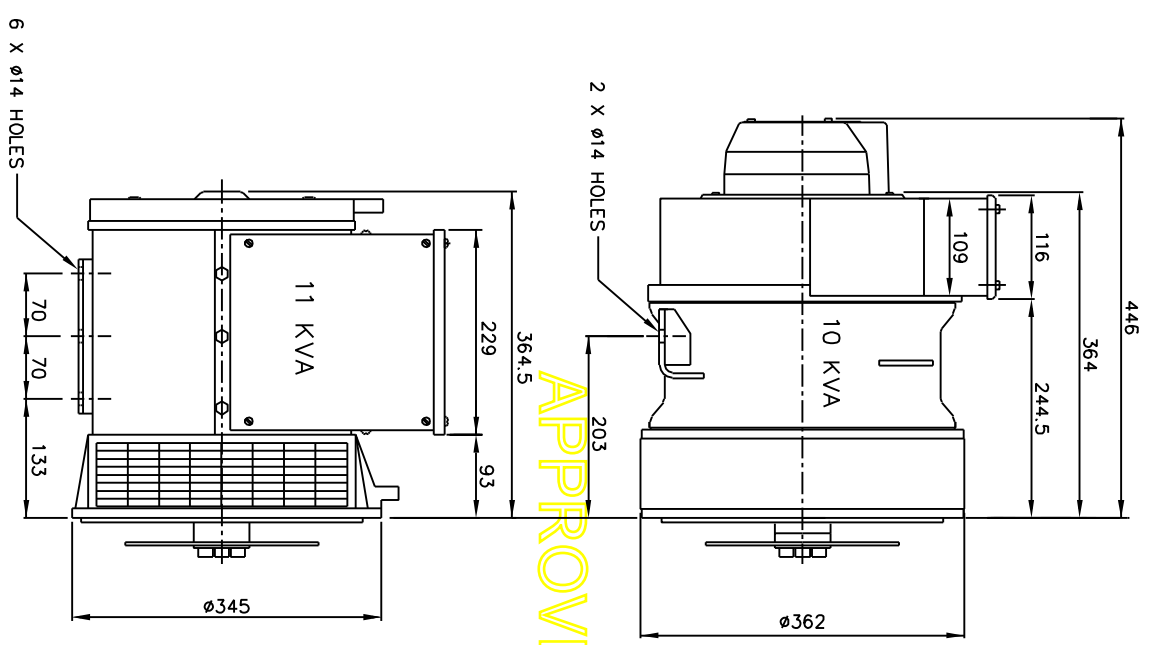
MATERIAL PROPERTIES		MATERIAL	
FINISH SPEC	-	CASTING NO.	
GEOMETRY SPEC	-	REGION	
ASSEMBLY SPEC	-	SCALE	1:2
TEST METHOD	-	DRW	15/6/07
PROJECTION	1ST ANGLE	CHECKED	DW 15/6/07
		APPROVED	CPM 15/6/07

CONFIDENTIAL PROPERTY OF  
 CUMMINS GENERATOR TECHNOLOGIES

PO - BC16  
 1-BRG. G.A.S  
 COMPARISON

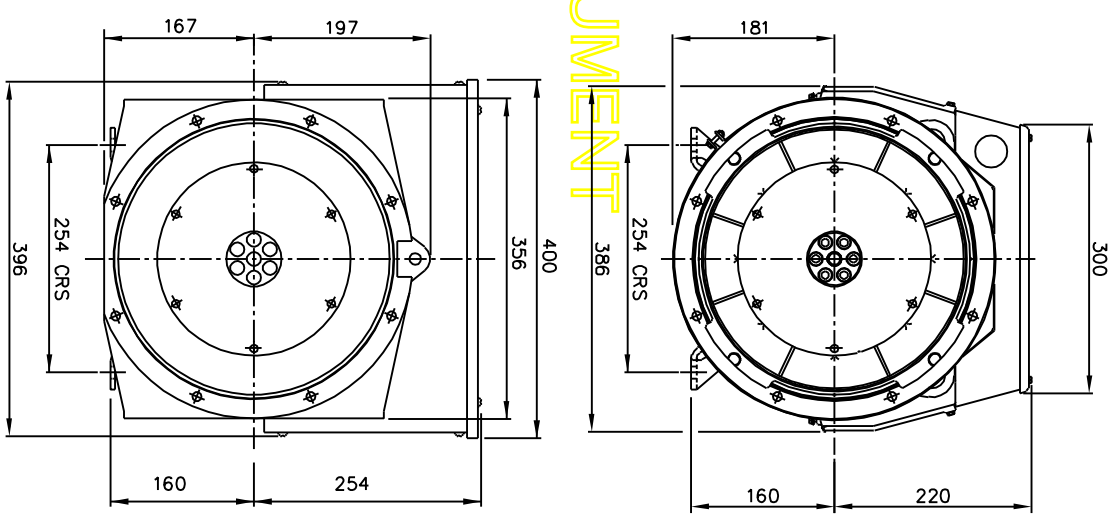
DISPOSITIONS IN MILLIMETRES (mm)  
 SURFACE FINISH VALUES  
 UNFINISHED DIMS ± 0.25mm  
 FINISHED DIMS ± 0.15mm  
 L15-13213 A  
 SHEET 1 OF 5 SHEETS

P104E



APPROVED DOCUMENT

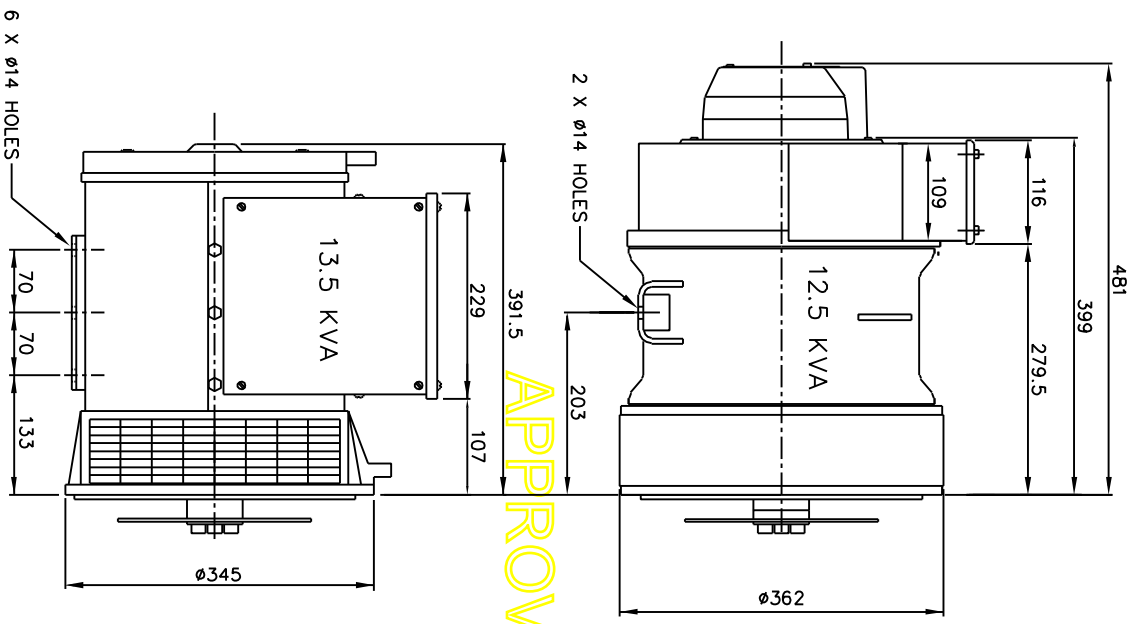
BC164B



CONFIDENTIAL PROPERTY OF  
 CUMMINS GENERATOR TECHNOLOGIES

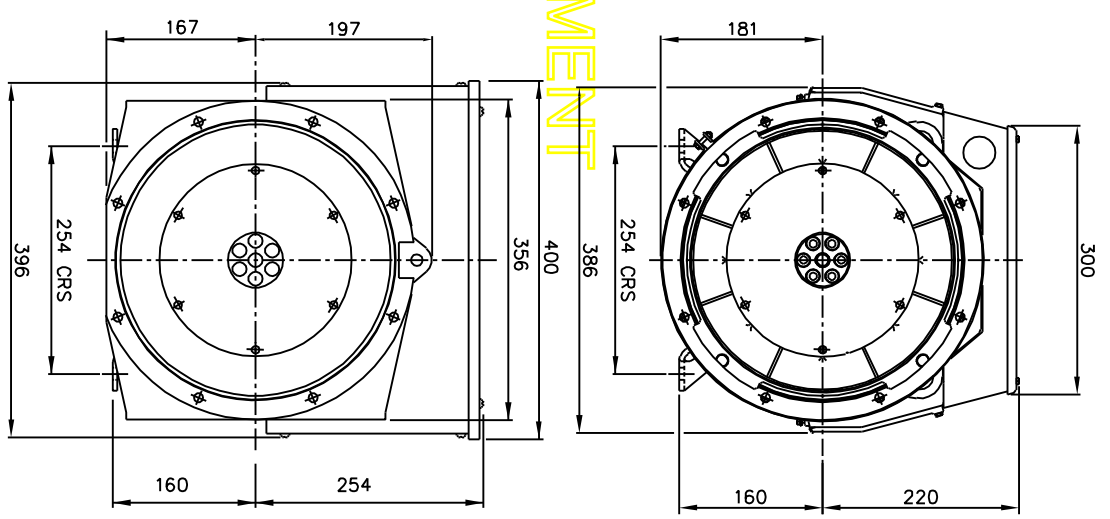
1-446-00	A	DW	15/6/07	ORIGINAL ISSUE																					
MOD.	ISSUE	DRAWN	DATE	ALTERATION																					
<table border="1"> <tr> <td>FINISH SPEC</td> <td>-</td> <td>MATERIAL</td> <td></td> </tr> <tr> <td>GEOMETRY SPEC</td> <td>-</td> <td>CASTING NO.</td> <td></td> </tr> <tr> <td>ASSEMBLY SPEC</td> <td>-</td> <td>REGENT</td> <td></td> </tr> <tr> <td>TEST SPEC</td> <td>-</td> <td></td> <td></td> </tr> <tr> <td>PROTECTION</td> <td></td> <td></td> <td></td> </tr> </table>					FINISH SPEC	-	MATERIAL		GEOMETRY SPEC	-	CASTING NO.		ASSEMBLY SPEC	-	REGENT		TEST SPEC	-			PROTECTION				
FINISH SPEC	-	MATERIAL																							
GEOMETRY SPEC	-	CASTING NO.																							
ASSEMBLY SPEC	-	REGENT																							
TEST SPEC	-																								
PROTECTION																									
<table border="1"> <tr> <td>DRAWN</td> <td>DW</td> <td>15/6/07</td> </tr> <tr> <td>CHECKED</td> <td>DW</td> <td>15/6/07</td> </tr> <tr> <td>APPROVED</td> <td>CPM</td> <td>15/6/07</td> </tr> </table>		DRAWN	DW	15/6/07	CHECKED	DW	15/6/07	APPROVED	CPM	15/6/07	<table border="1"> <tr> <td>SCALE</td> <td>DRG. SIZE</td> <td>REC. PHASE</td> <td>PART NO.</td> </tr> <tr> <td>1:2</td> <td>A</td> <td>P</td> <td>L15-13213</td> </tr> <tr> <td colspan="3"></td> <td>SHEET 2 OF 5</td> </tr> </table>			SCALE	DRG. SIZE	REC. PHASE	PART NO.	1:2	A	P	L15-13213				SHEET 2 OF 5
DRAWN	DW	15/6/07																							
CHECKED	DW	15/6/07																							
APPROVED	CPM	15/6/07																							
SCALE	DRG. SIZE	REC. PHASE	PART NO.																						
1:2	A	P	L15-13213																						
			SHEET 2 OF 5																						
<table border="1"> <tr> <td>PO</td> <td>BC16</td> </tr> <tr> <td colspan="2">1-BRG. G.A.S</td> </tr> <tr> <td colspan="2">COMPARISON</td> </tr> </table>		PO	BC16	1-BRG. G.A.S		COMPARISON		<table border="1"> <tr> <td colspan="2">DIMENSIONS IN MILLIMETRES (mm)</td> </tr> <tr> <td colspan="2">SURFACE FINISH VALUES</td> </tr> <tr> <td colspan="2">UNFINISHED SURF. ± 0.25mm</td> </tr> </table>			DIMENSIONS IN MILLIMETRES (mm)		SURFACE FINISH VALUES		UNFINISHED SURF. ± 0.25mm										
PO	BC16																								
1-BRG. G.A.S																									
COMPARISON																									
DIMENSIONS IN MILLIMETRES (mm)																									
SURFACE FINISH VALUES																									
UNFINISHED SURF. ± 0.25mm																									

ADAPTOR SAE No 5 / COUPLING SAE No 6.5/7.5



P104F

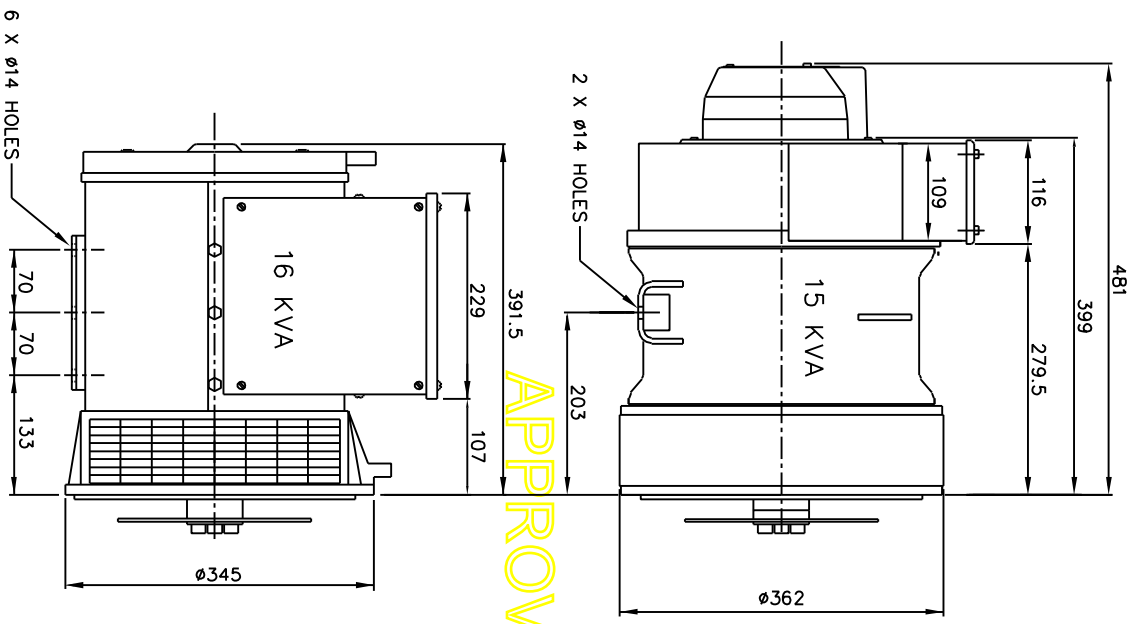
BC164C



APPROVED DOCUMENT

1-444-001	A	DW	1/10/06	ORIGINAL ISSUE																								
MOD.	ISSUE DRAWING	DATE	ALTERATION																									
<table border="1"> <tr> <td>MATL. PROPERTIES</td> <td>-</td> <td>MATERIAL</td> <td></td> </tr> <tr> <td>FINISH SPEC</td> <td>-</td> <td>CASTING NO.</td> <td></td> </tr> <tr> <td>GEOMETRY SPEC</td> <td>-</td> <td>REGION</td> <td></td> </tr> <tr> <td>ASSEMBLY SPEC</td> <td>-</td> <td></td> <td></td> </tr> <tr> <td>TEST PROCEDURE</td> <td>-</td> <td></td> <td></td> </tr> <tr> <td>PRODUCTION</td> <td></td> <td></td> <td></td> </tr> </table>					MATL. PROPERTIES	-	MATERIAL		FINISH SPEC	-	CASTING NO.		GEOMETRY SPEC	-	REGION		ASSEMBLY SPEC	-			TEST PROCEDURE	-			PRODUCTION			
MATL. PROPERTIES	-	MATERIAL																										
FINISH SPEC	-	CASTING NO.																										
GEOMETRY SPEC	-	REGION																										
ASSEMBLY SPEC	-																											
TEST PROCEDURE	-																											
PRODUCTION																												
<table border="1"> <tr> <td>SCALE</td> <td>1:2</td> </tr> </table>		SCALE	1:2	<table border="1"> <tr> <td>PO</td> <td>BC16</td> </tr> <tr> <td>1-BRG</td> <td>G.A.S</td> </tr> <tr> <td colspan="2">COMPARISON</td> </tr> </table>			PO	BC16	1-BRG	G.A.S	COMPARISON																	
SCALE	1:2																											
PO	BC16																											
1-BRG	G.A.S																											
COMPARISON																												
<table border="1"> <tr> <td>DRAWN</td> <td>DW</td> <td>15/08/07</td> </tr> <tr> <td>CHECKED</td> <td>DW</td> <td>15/08/07</td> </tr> <tr> <td>APPROVED</td> <td>CPM</td> <td>15/08/07</td> </tr> </table>		DRAWN	DW	15/08/07	CHECKED	DW	15/08/07	APPROVED	CPM	15/08/07	<table border="1"> <tr> <td>DISPOSITIONS IN MILLIMETRES (mm)</td> </tr> <tr> <td>SURFACE FINISH VALUES</td> </tr> <tr> <td>UNFINISHED DIMS. ± 0.25mm</td> </tr> </table>			DISPOSITIONS IN MILLIMETRES (mm)	SURFACE FINISH VALUES	UNFINISHED DIMS. ± 0.25mm												
DRAWN	DW	15/08/07																										
CHECKED	DW	15/08/07																										
APPROVED	CPM	15/08/07																										
DISPOSITIONS IN MILLIMETRES (mm)																												
SURFACE FINISH VALUES																												
UNFINISHED DIMS. ± 0.25mm																												
<table border="1"> <tr> <td>CONFIDENTIAL PROPERTY OF CUMMINS GENERATOR TECHNOLOGIES</td> </tr> </table>		CONFIDENTIAL PROPERTY OF CUMMINS GENERATOR TECHNOLOGIES	<table border="1"> <tr> <td>PART No</td> <td>115-13213</td> </tr> <tr> <td>SHEET</td> <td>3 OF 5</td> </tr> </table>			PART No	115-13213	SHEET	3 OF 5																			
CONFIDENTIAL PROPERTY OF CUMMINS GENERATOR TECHNOLOGIES																												
PART No	115-13213																											
SHEET	3 OF 5																											

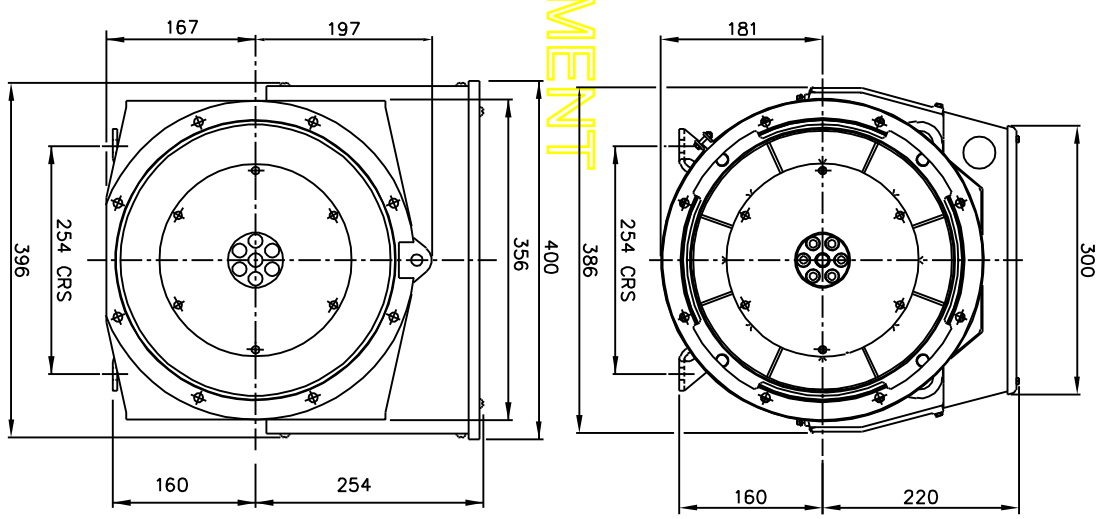
ADAPTOR SAE No 5 / COUPLING SAE No 6.5/7.5



P104G

BC164D

APPROVED DOCUMENT



1-444-01	A	DW	1/10/06	ORIGINAL ISSUE																								
MOD.	ISSUE	DRAWING	DATE	ALTERATION																								
<table border="1"> <tr> <td>DATE</td> <td>BY</td> <td>SCALE</td> <td>DRG. SIZE</td> <td>DRG. PHASE</td> <td>PART No.</td> <td>DIMENSIONS IN MILLIMETERS (mm)</td> </tr> <tr> <td>15/08/07</td> <td>DW</td> <td>1:2</td> <td>A</td> <td>P</td> <td>115-13213</td> <td>SHRINKAGE TOLERANCE VALUES UNLIMITED DIMS. &gt; 0.25mm</td> </tr> <tr> <td>15/08/07</td> <td>CDM</td> <td>1:2</td> <td>A</td> <td>P</td> <td>115-13213</td> <td>SHRINKAGE TOLERANCE VALUES UNLIMITED DIMS. &gt; 0.25mm</td> </tr> </table>					DATE	BY	SCALE	DRG. SIZE	DRG. PHASE	PART No.	DIMENSIONS IN MILLIMETERS (mm)	15/08/07	DW	1:2	A	P	115-13213	SHRINKAGE TOLERANCE VALUES UNLIMITED DIMS. > 0.25mm	15/08/07	CDM	1:2	A	P	115-13213	SHRINKAGE TOLERANCE VALUES UNLIMITED DIMS. > 0.25mm			
DATE	BY	SCALE	DRG. SIZE	DRG. PHASE	PART No.	DIMENSIONS IN MILLIMETERS (mm)																						
15/08/07	DW	1:2	A	P	115-13213	SHRINKAGE TOLERANCE VALUES UNLIMITED DIMS. > 0.25mm																						
15/08/07	CDM	1:2	A	P	115-13213	SHRINKAGE TOLERANCE VALUES UNLIMITED DIMS. > 0.25mm																						
<table border="1"> <tr> <td>FINISH SPEC.</td> <td>-</td> <td>MATERIAL</td> <td>-</td> </tr> <tr> <td>GEOMETRY SPEC.</td> <td>-</td> <td>CASTING NO.</td> <td>-</td> </tr> <tr> <td>ASSEMBLY SPEC.</td> <td>-</td> <td>REGION</td> <td>-</td> </tr> <tr> <td>TESTING PROCEDURE</td> <td>-</td> <td>DRAWING</td> <td>15/08/07</td> </tr> <tr> <td>PRODUCTION</td> <td>-</td> <td>CHECKED</td> <td>DW 15/08/07</td> </tr> <tr> <td></td> <td>-</td> <td>APPROVED</td> <td>CDM 15/08/07</td> </tr> </table>					FINISH SPEC.	-	MATERIAL	-	GEOMETRY SPEC.	-	CASTING NO.	-	ASSEMBLY SPEC.	-	REGION	-	TESTING PROCEDURE	-	DRAWING	15/08/07	PRODUCTION	-	CHECKED	DW 15/08/07		-	APPROVED	CDM 15/08/07
FINISH SPEC.	-	MATERIAL	-																									
GEOMETRY SPEC.	-	CASTING NO.	-																									
ASSEMBLY SPEC.	-	REGION	-																									
TESTING PROCEDURE	-	DRAWING	15/08/07																									
PRODUCTION	-	CHECKED	DW 15/08/07																									
	-	APPROVED	CDM 15/08/07																									
<table border="1"> <tr> <td>PO -</td> <td>BC16</td> <td rowspan="2">CONFIDENTIAL PROPERTY OF CUMMINS GENERATOR TECHNOLOGIES</td> </tr> <tr> <td>1-BRG G.A.S</td> <td>COMPARISON</td> </tr> </table>					PO -	BC16	CONFIDENTIAL PROPERTY OF CUMMINS GENERATOR TECHNOLOGIES	1-BRG G.A.S	COMPARISON																			
PO -	BC16	CONFIDENTIAL PROPERTY OF CUMMINS GENERATOR TECHNOLOGIES																										
1-BRG G.A.S	COMPARISON																											
SHEET 4 OF 5 SHEETS																												

