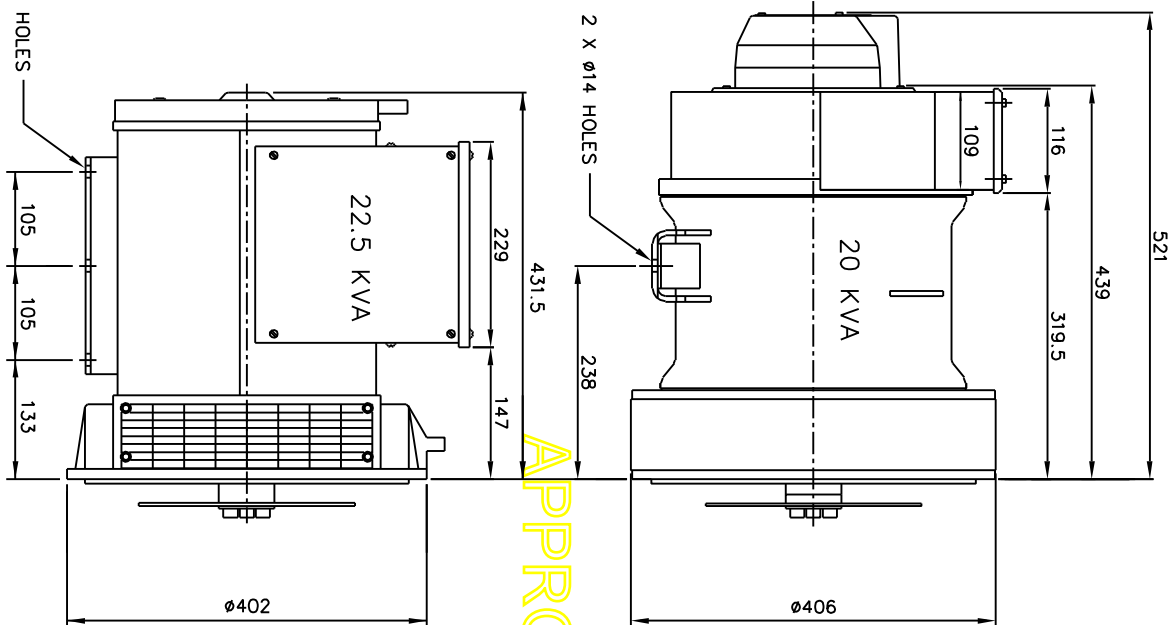
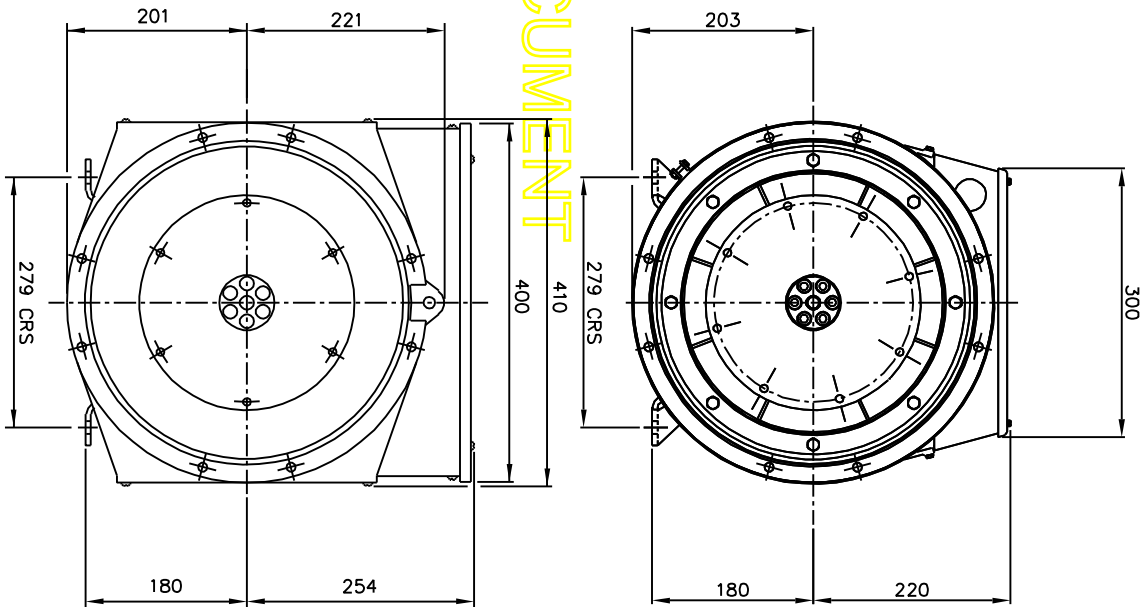


P114D

ADAPTOR SAE No 4 / COUPLING SAE No 7.5



BC184E



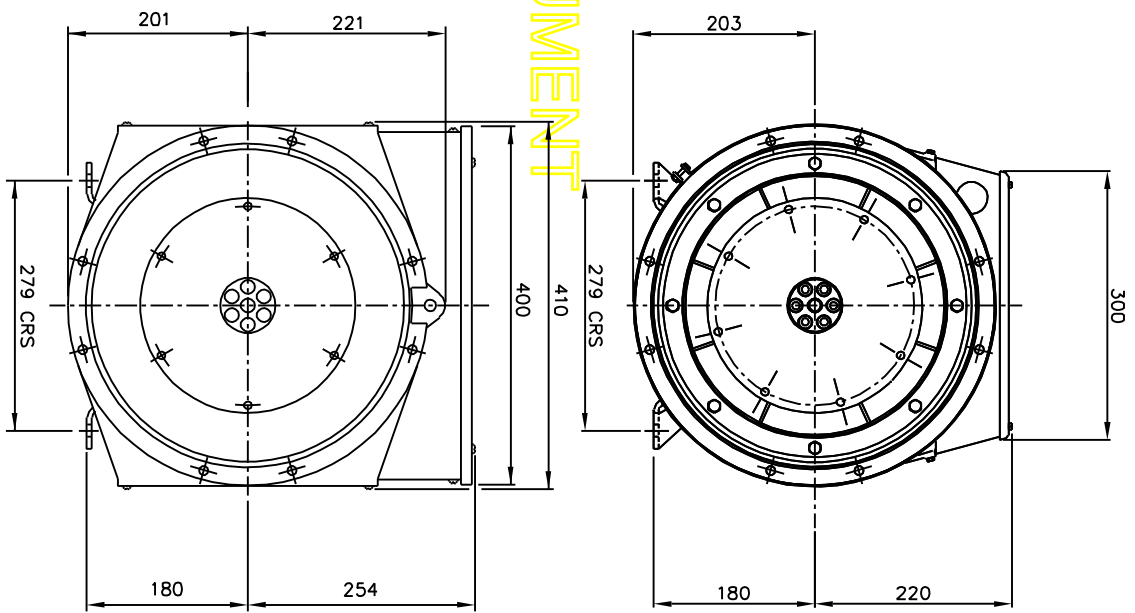
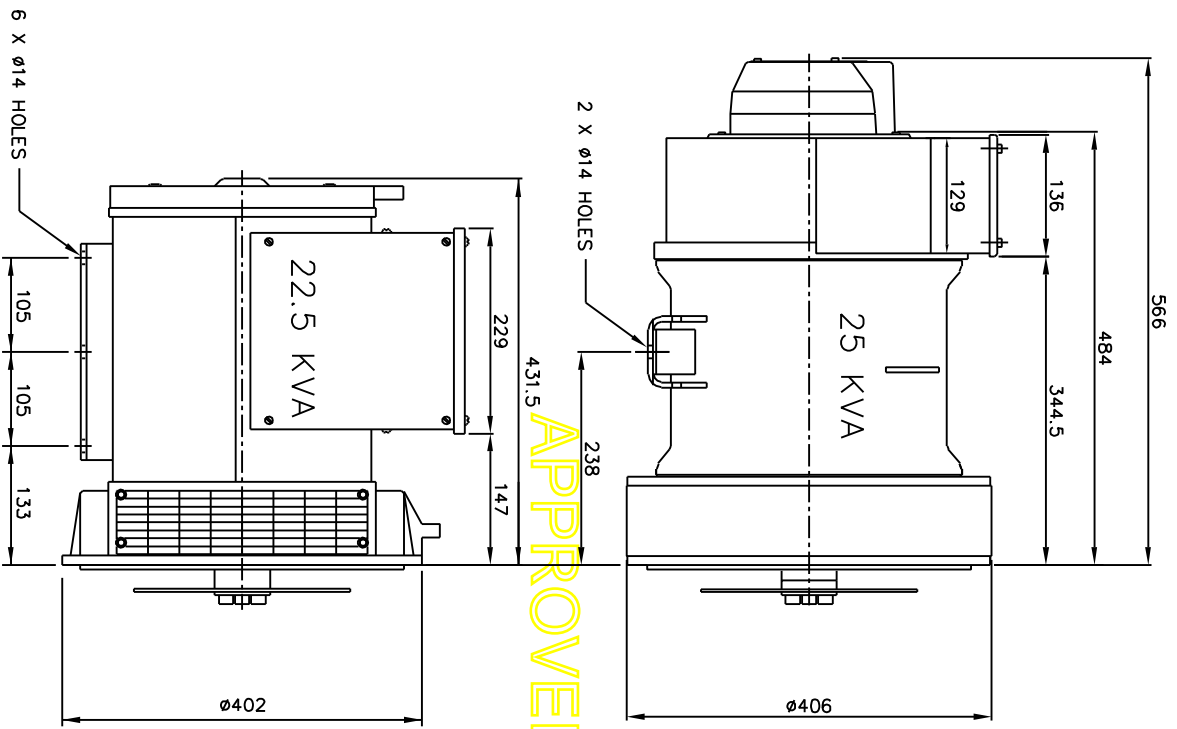
REV.	DATE	BY	APP.
1	15/6/07	DW	
2			
3			
4			
5			
6			
7			

MATERIAL PROPERTIES		MATERIAL	
FINISH SPEC	-	CASTING NO.	
GEOMETRY SPEC	-	REGION	
ASSEMBLY SPEC	-	PRODUCTION	
TESTING SPEC	-	APPROVED	DGC 15/6/07
PRODUCTION		SCALE	1:2
		REV. SIZE	A
		REV. PHASE	P
		PART NO.	L15-13214
		ISSUE	A
		SHEET	1 of 7

CONFIDENTIAL PROPERTY OF
 CUMMINS GENERATOR TECHNOLOGIES

DISPOSITIONS IN MILLIMETERS
 (mm)
 SURFACE FINISH VALUES
 UNFINISHED SURFACES

P114E



APPROVED DOCUMENT

BC184E

ADAPTOR SAE No 4 / COUPLING SAE No 7.5

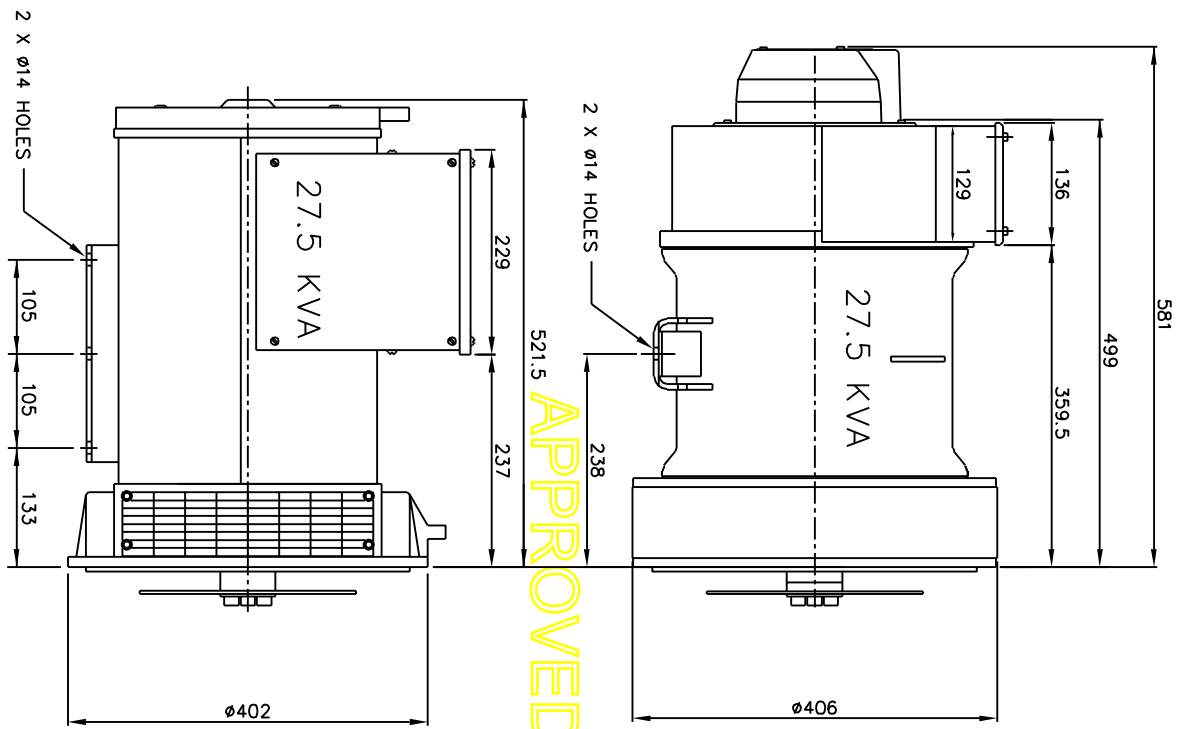
-444-01 A		DW	15/6/07	ORIGINAL ISSUE																																
MOD.	ISSUE	DRAWN	DATE	ALTERATION																																
<table border="1"> <tr> <td>MATL. PROPERTIES</td> <td>-</td> <td>MATERIAL</td> <td></td> </tr> <tr> <td>FINISH SPEC.</td> <td>-</td> <td>CASTING NO.</td> <td></td> </tr> <tr> <td>GEOMETRY SPEC.</td> <td>-</td> <td>WEIGHT</td> <td></td> </tr> <tr> <td>ASSEMBLY SPEC.</td> <td>-</td> <td></td> <td></td> </tr> <tr> <td>TEST SPEC.</td> <td>-</td> <td></td> <td></td> </tr> <tr> <td>FOR PROJECTION</td> <td></td> <td></td> <td></td> </tr> <tr> <td>PROJECTION</td> <td></td> <td></td> <td></td> </tr> <tr> <td></td> <td></td> <td></td> <td></td> </tr> </table>					MATL. PROPERTIES	-	MATERIAL		FINISH SPEC.	-	CASTING NO.		GEOMETRY SPEC.	-	WEIGHT		ASSEMBLY SPEC.	-			TEST SPEC.	-			FOR PROJECTION				PROJECTION							
MATL. PROPERTIES	-	MATERIAL																																		
FINISH SPEC.	-	CASTING NO.																																		
GEOMETRY SPEC.	-	WEIGHT																																		
ASSEMBLY SPEC.	-																																			
TEST SPEC.	-																																			
FOR PROJECTION																																				
PROJECTION																																				
SCALE		1:2																																		
DOC. SIZE		A																																		
MTC. FINISH		P																																		
PART No.		L15-13214																																		
SHEET 2		OF 7 SHEETS																																		

CONFIDENTIAL PROPERTY OF
 CUMMINS GENERATOR TECHNOLOGIES

P1-BC18
 1-BRG G.A.S
 COMPARISON

DIMENSIONS IN MILLIMETRES
 (mm)
 SURFACE FINISH VALUES
 UNFINISHED DIMS ± 0.25mm

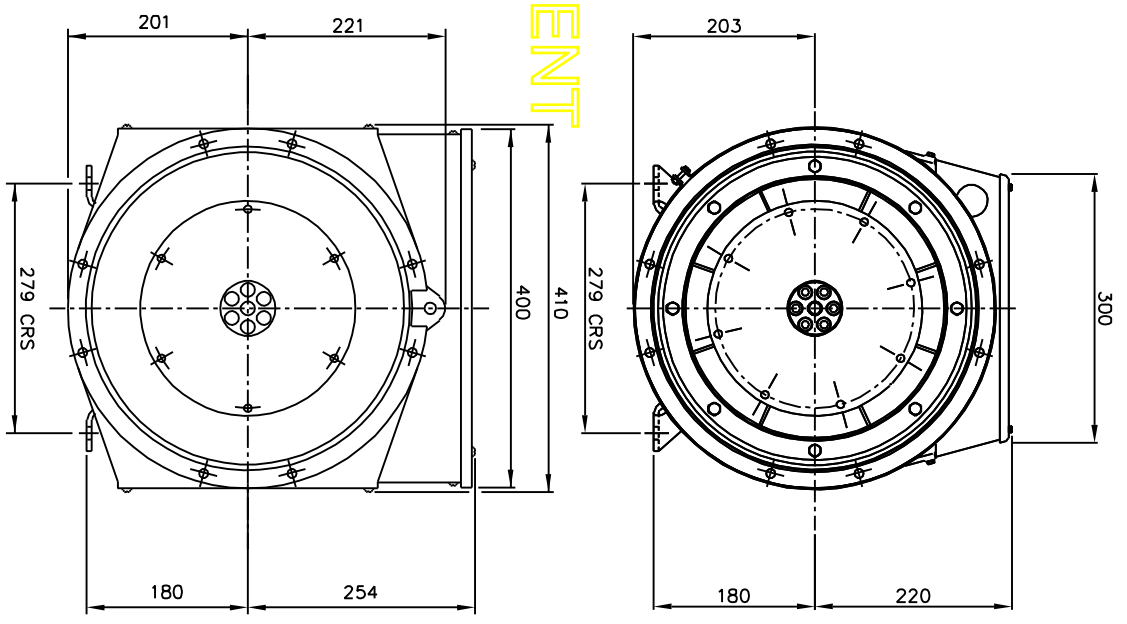
ADAPTOR SAE No 4 / COUPLING SAE No 7.5



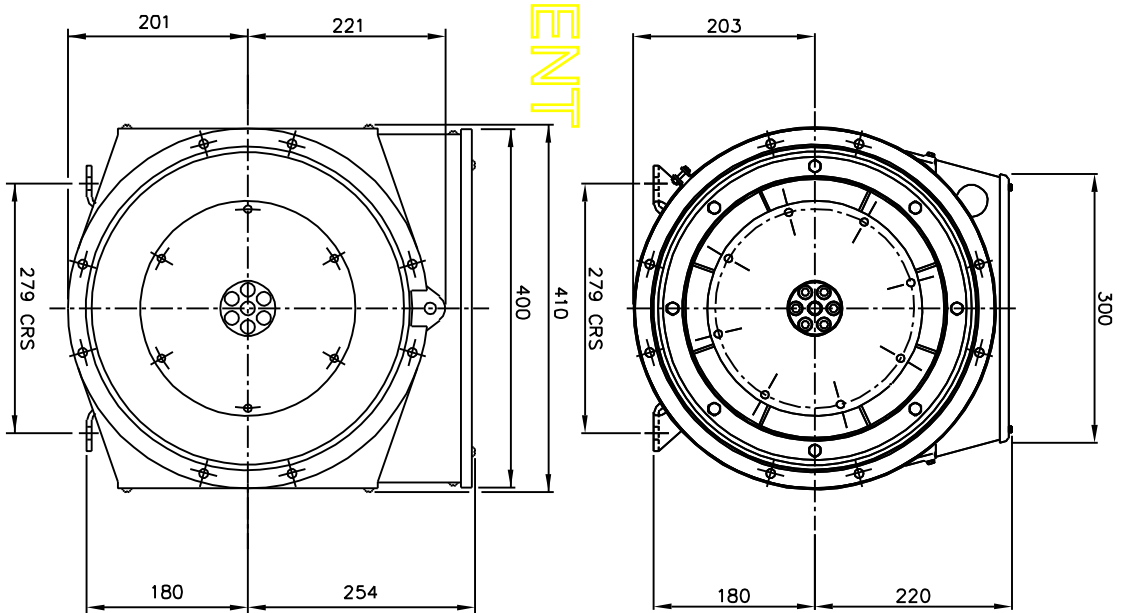
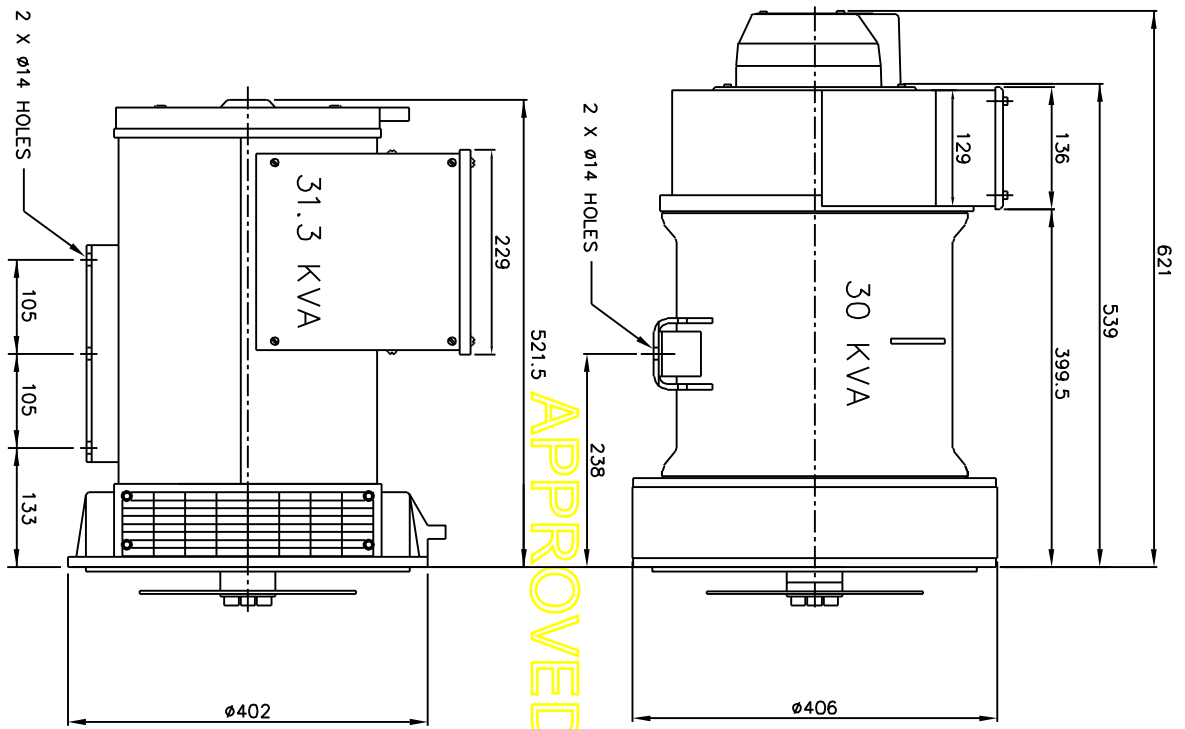
P114F

BC184F

APPROVED DOCUMENT



1-446-00	A	DW	15/6/07	ORIGINAL ISSUE																												
MOO.	ISSUE	DRAWN	DATE	ALTERATION																												
<table border="1"> <tr> <td>MATL. PROPERTIES</td> <td>-</td> <td>MATERIAL</td> <td></td> </tr> <tr> <td>FINISH SPEC</td> <td>-</td> <td>CASTING NO.</td> <td></td> </tr> <tr> <td>GEOMETRY SPEC</td> <td>-</td> <td>REGION</td> <td></td> </tr> <tr> <td>ASSEMBLY SPEC</td> <td>-</td> <td></td> <td></td> </tr> <tr> <td>TEST SPEC</td> <td>-</td> <td></td> <td></td> </tr> <tr> <td>PROJ. SECTION</td> <td></td> <td></td> <td></td> </tr> <tr> <td>PROJECTION</td> <td></td> <td></td> <td></td> </tr> </table>					MATL. PROPERTIES	-	MATERIAL		FINISH SPEC	-	CASTING NO.		GEOMETRY SPEC	-	REGION		ASSEMBLY SPEC	-			TEST SPEC	-			PROJ. SECTION				PROJECTION			
MATL. PROPERTIES	-	MATERIAL																														
FINISH SPEC	-	CASTING NO.																														
GEOMETRY SPEC	-	REGION																														
ASSEMBLY SPEC	-																															
TEST SPEC	-																															
PROJ. SECTION																																
PROJECTION																																
SCALE		1:2																														
DOC. SIZE		A																														
MTC. FINISH		P																														
PART NO.		L15-13214																														
SHEET		3 OF 7																														
<p>CONFIDENTIAL PROPERTY OF CUMMINS GENERATOR TECHNOLOGIES</p> <p>1-BRG G.A.S COMPARISON</p> <p>DIMENSIONS IN MILLIMETRES SURFACE FINISH VALUES UNFINISHED DIMS ±</p>																																



APPROVED DOCUMENT

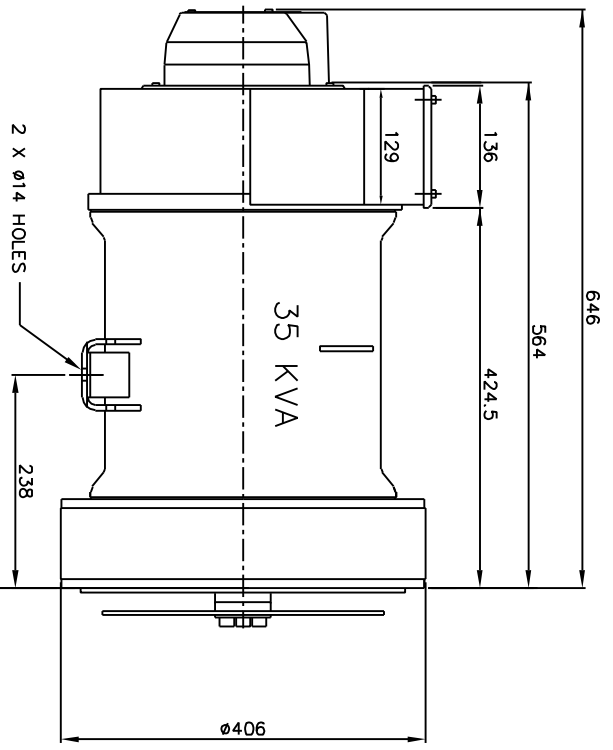
P114G

BC184G

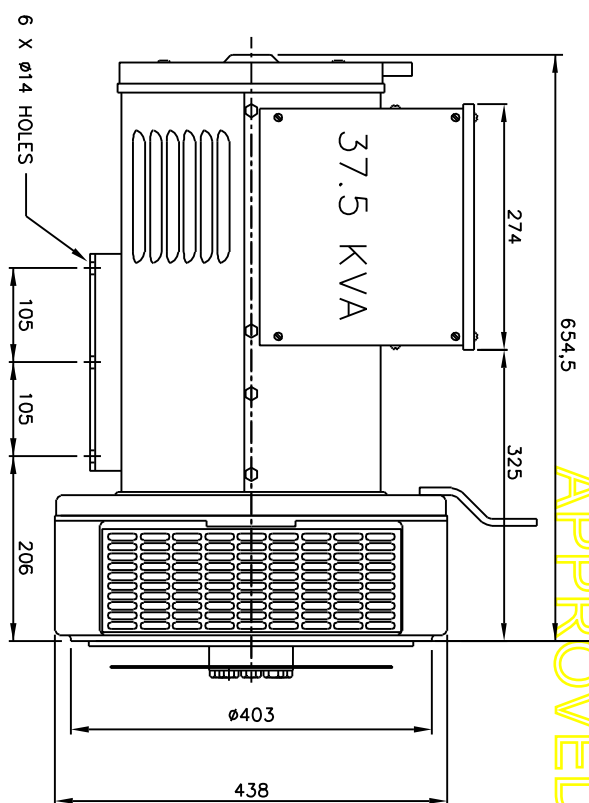
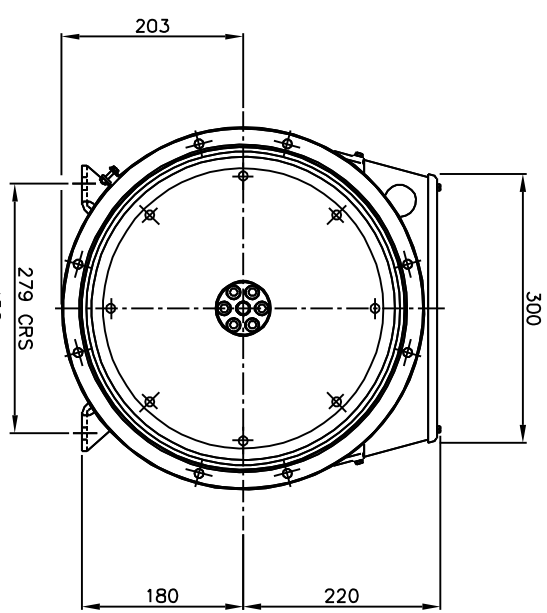
NO.	REV.	DATE	DESCRIPTION
1	A	15/6/07	ORIGINAL ISSUE
2	B	15/6/07	ALTERATION

FINISH SPEC	-	MATERIAL	-
GEOMETRY SPEC	-	CASTING NO.	-
ASSEMBLY SPEC	-	REGION	-
TEST SPEC	-	PROJECTION	-
PROJECTION	-	SCALE	1:2
SCALE	1:2	DWG. NO.	L15-13214
DRAWN	DW	CHECKED	DW
APPROVED	DPC	APPROVED	DPC

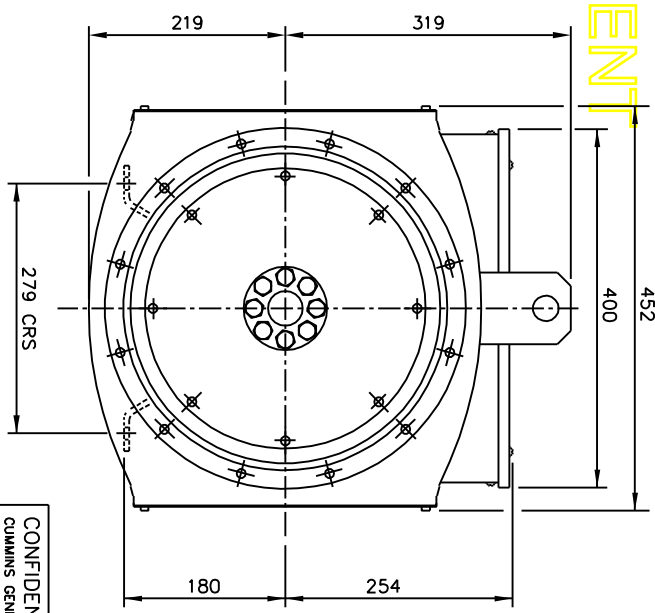
CONFIDENTIAL PROPERTY OF CUMMINS GENERATOR TECHNOLOGIES	P1-BC18 1-BRG G.A.S COMPARISON	DIMENSIONS IN MILLIMETRES (mm) SURFACE FINISH VALUES UNLESS OTHERWISE SPECIFIED
	SCALE	SHEET 4 OF 7 SHEETS



P114H



BC184H

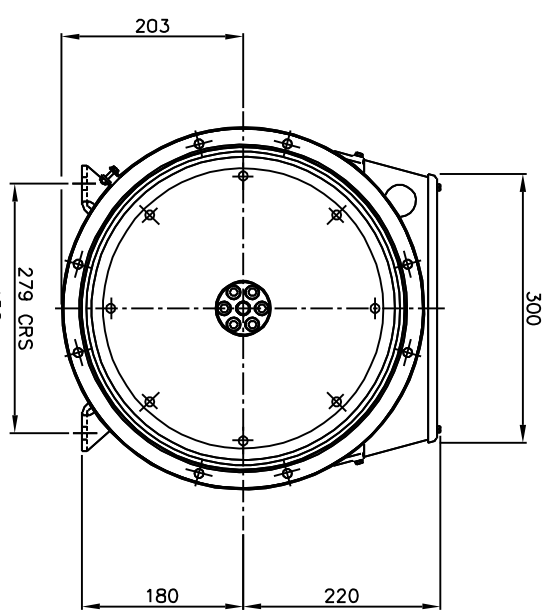
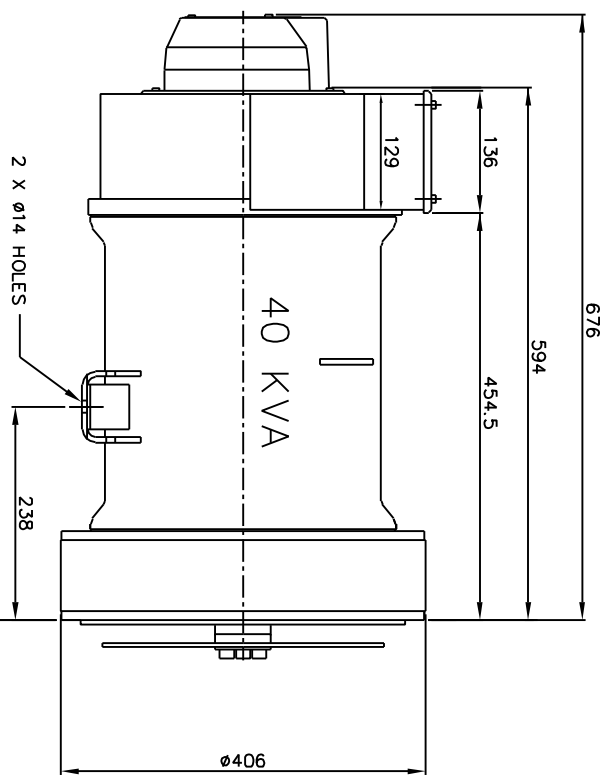


APPROVED DOCUMENT

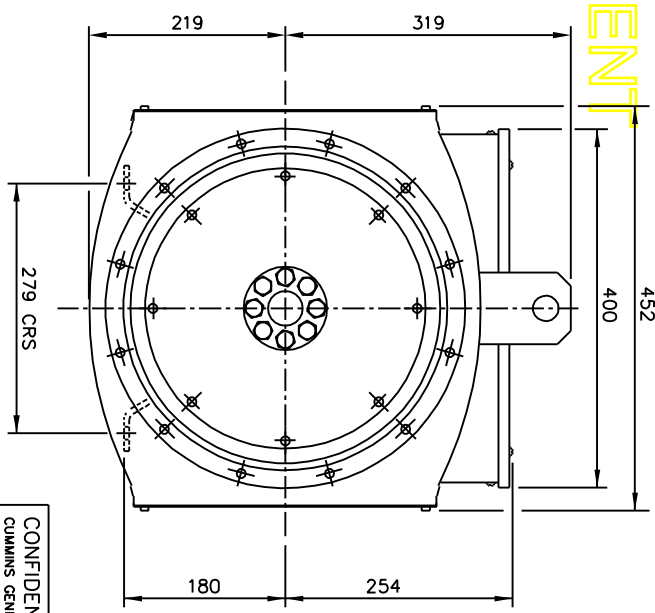
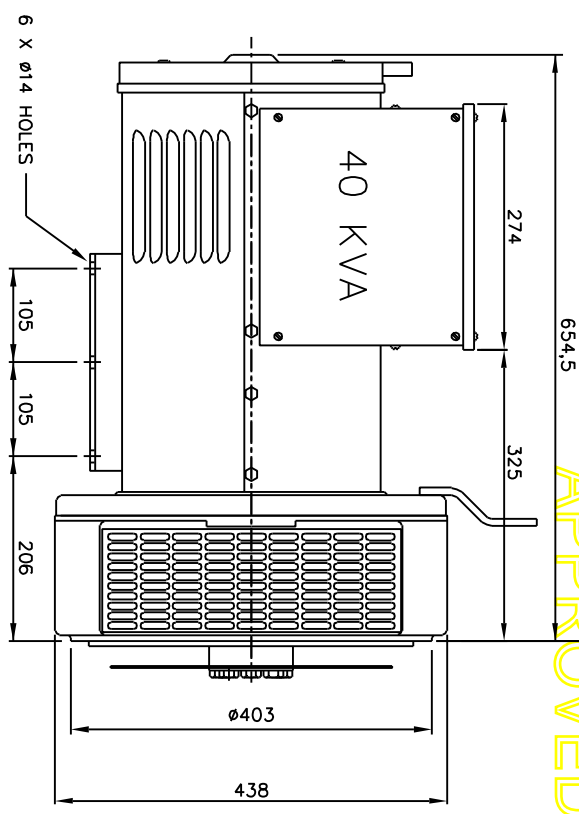
1-446-00	A	DW	15/6/07	ORIGINAL ISSUE																																																
MOD.	ISSUE	DRAWN	DATE	ALTERATION																																																
<table border="1"> <tr> <td>FINISH SPEC</td> <td>-</td> <td>MATERIAL</td> <td></td> </tr> <tr> <td>GEOMETRY SPEC</td> <td>-</td> <td>CASTING NO.</td> <td></td> </tr> <tr> <td>ASSEMBLY SPEC</td> <td>-</td> <td>REGION</td> <td></td> </tr> <tr> <td>TEST SPEC</td> <td>-</td> <td></td> <td></td> </tr> <tr> <td>PROJECTION</td> <td>1st</td> <td></td> <td></td> </tr> <tr> <td></td> <td></td> <td>SCALE</td> <td>1:2</td> </tr> <tr> <td></td> <td></td> <td>DOC. SIZE</td> <td>A</td> </tr> <tr> <td></td> <td></td> <td>REC. FINISH</td> <td>P</td> </tr> <tr> <td></td> <td></td> <td>PART NO.</td> <td>L15-13214</td> </tr> <tr> <td></td> <td></td> <td>ISSUE</td> <td>A</td> </tr> <tr> <td></td> <td></td> <td>SHEET</td> <td>5 OF 7</td> </tr> <tr> <td></td> <td></td> <td>SHEETS</td> <td></td> </tr> </table>					FINISH SPEC	-	MATERIAL		GEOMETRY SPEC	-	CASTING NO.		ASSEMBLY SPEC	-	REGION		TEST SPEC	-			PROJECTION	1st					SCALE	1:2			DOC. SIZE	A			REC. FINISH	P			PART NO.	L15-13214			ISSUE	A			SHEET	5 OF 7			SHEETS	
FINISH SPEC	-	MATERIAL																																																		
GEOMETRY SPEC	-	CASTING NO.																																																		
ASSEMBLY SPEC	-	REGION																																																		
TEST SPEC	-																																																			
PROJECTION	1st																																																			
		SCALE	1:2																																																	
		DOC. SIZE	A																																																	
		REC. FINISH	P																																																	
		PART NO.	L15-13214																																																	
		ISSUE	A																																																	
		SHEET	5 OF 7																																																	
		SHEETS																																																		
<table border="1"> <tr> <td colspan="2">MULTI PROPERTIES</td> <td colspan="3">CONFIDENTIAL PROPERTY OF CUMMINS GENERATOR TECHNOLOGIES</td> </tr> <tr> <td colspan="2">P1-BC18</td> <td colspan="3">DIMENSIONS IN MILLIMETRES (mm)</td> </tr> <tr> <td colspan="2">1-BRG G.A.S</td> <td colspan="3">SURFACE FINISH VALUES</td> </tr> <tr> <td colspan="2">COMPARISON</td> <td colspan="3">UNFINISHED DIMS ±</td> </tr> </table>					MULTI PROPERTIES		CONFIDENTIAL PROPERTY OF CUMMINS GENERATOR TECHNOLOGIES			P1-BC18		DIMENSIONS IN MILLIMETRES (mm)			1-BRG G.A.S		SURFACE FINISH VALUES			COMPARISON		UNFINISHED DIMS ±																														
MULTI PROPERTIES		CONFIDENTIAL PROPERTY OF CUMMINS GENERATOR TECHNOLOGIES																																																		
P1-BC18		DIMENSIONS IN MILLIMETRES (mm)																																																		
1-BRG G.A.S		SURFACE FINISH VALUES																																																		
COMPARISON		UNFINISHED DIMS ±																																																		

P114J

ADAPTOR SAE No 4 / COUPLING SAE No 10



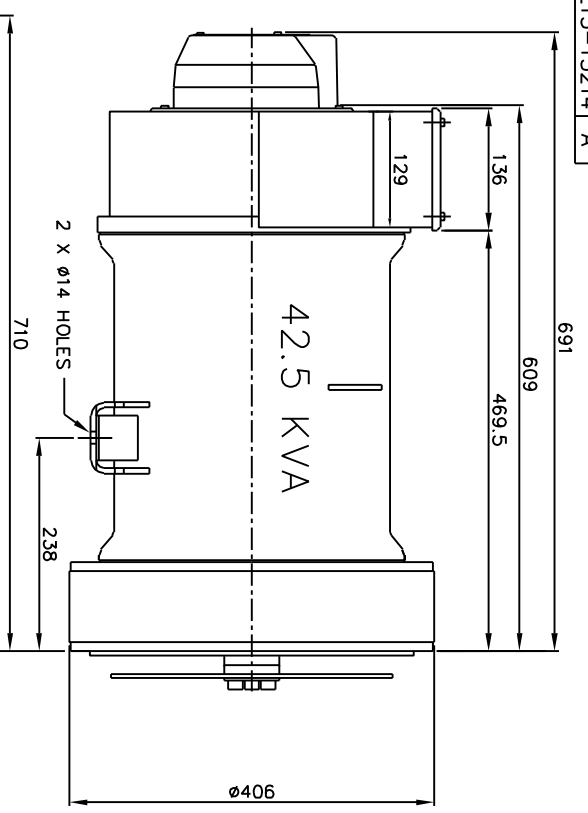
APPROVED DOCUMENT



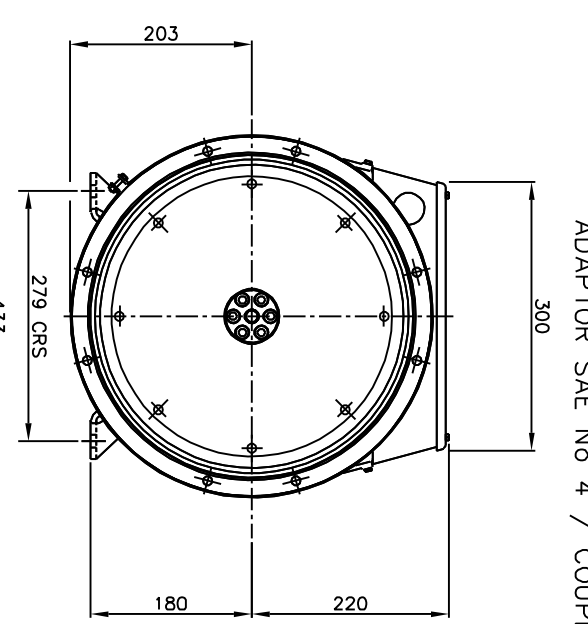
BC184J

FINISH SPEC		MATERIAL		SCALE		PART NO.	
GEOMETRY SPEC		CASTING NO.		1:2		P1-BC18	
ASSEMBLY SPEC				A		1-BRG G.A.S	
TEST SPECIFICATION				P		COMPARISON	
DRAWN		DW		15/6/07		CUMMINS GENERATOR TECHNOLOGIES	
CHECKED		DW		15/6/07		CONFIDENTIAL PROPERTY OF	
APPROVED		DPC		15/6/07		CUMMINS GENERATOR TECHNOLOGIES	
MOO.		SSUR		DRAWING		DATE	
A		DW		15/6/07		ORIGINAL ISSUE	
A		DW		15/6/07		ALTERATION	

DIMENSIONS IN MILLIMETRES
 SURFACE FINISH VALUES
 UNLESS OTHERWISE SPECIFIED
 SHEET 6 OF 7 SHEETS

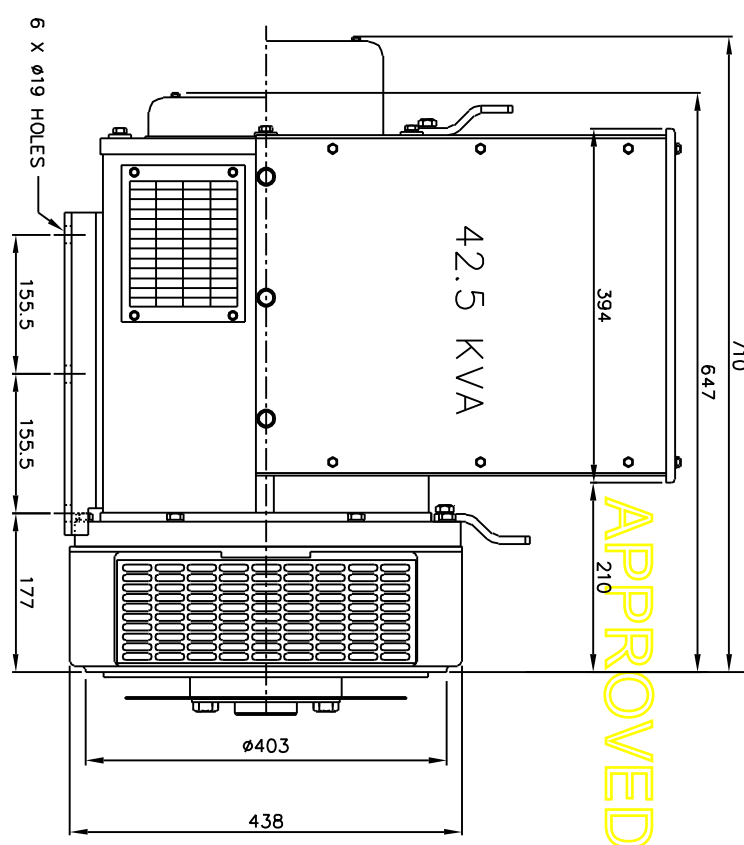


P14K

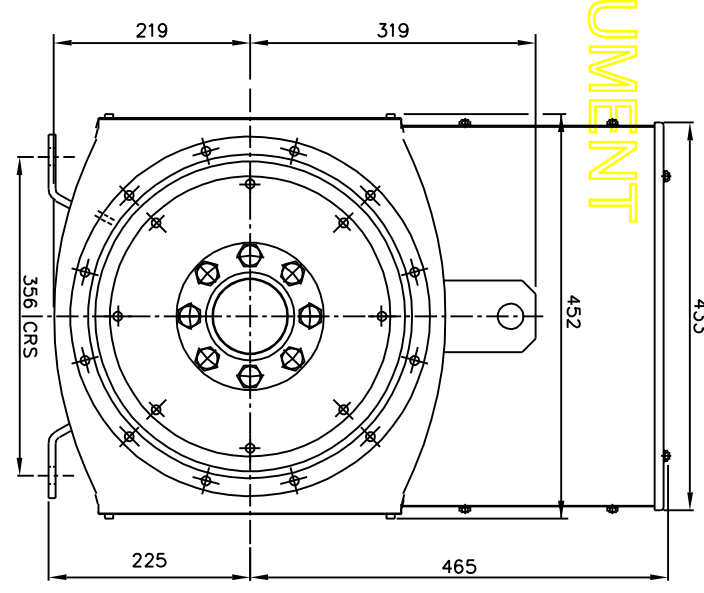


ADAPTOR SAE No 4 / COUPLING SAE No 10

APPROVED DOCUMENT



UC22C



1-446-00	A	DW	15/6/07	ORIGINAL ISSUE
MOD.	ISSUE	DRAWN	DATE	ALTERATION

MATERIAL PROPERTIES		MATERIAL	
FINISH SPEC	-	CASTING NO.	
GEOMETRY SPEC	-	REGION	
ASSEMBLY SPEC	-		
TEST SPEC	-		
PRODUCTION			
SCALE	1:2	SCALE	1:2
DRAWN	DW 15/6/07	SCALE	1:2
CHECKED	DW 15/6/07	SCALE	1:2
APPROVED	DPC 15/6/07	SCALE	1:2
CONFIDENTIAL PROPERTY OF CUMMINS GENERATOR TECHNOLOGIES		PART NO. L15-13214	
DIMENSIONS IN MILLIMETRES (mm)		SHEET 7 OF 7	
SURFACE FINISH VALUES		SHEET 7 OF 7	
UNFINISHED DIMS: 5		SHEET 7 OF 7	
FINISHED DIMS: 5		SHEET 7 OF 7	