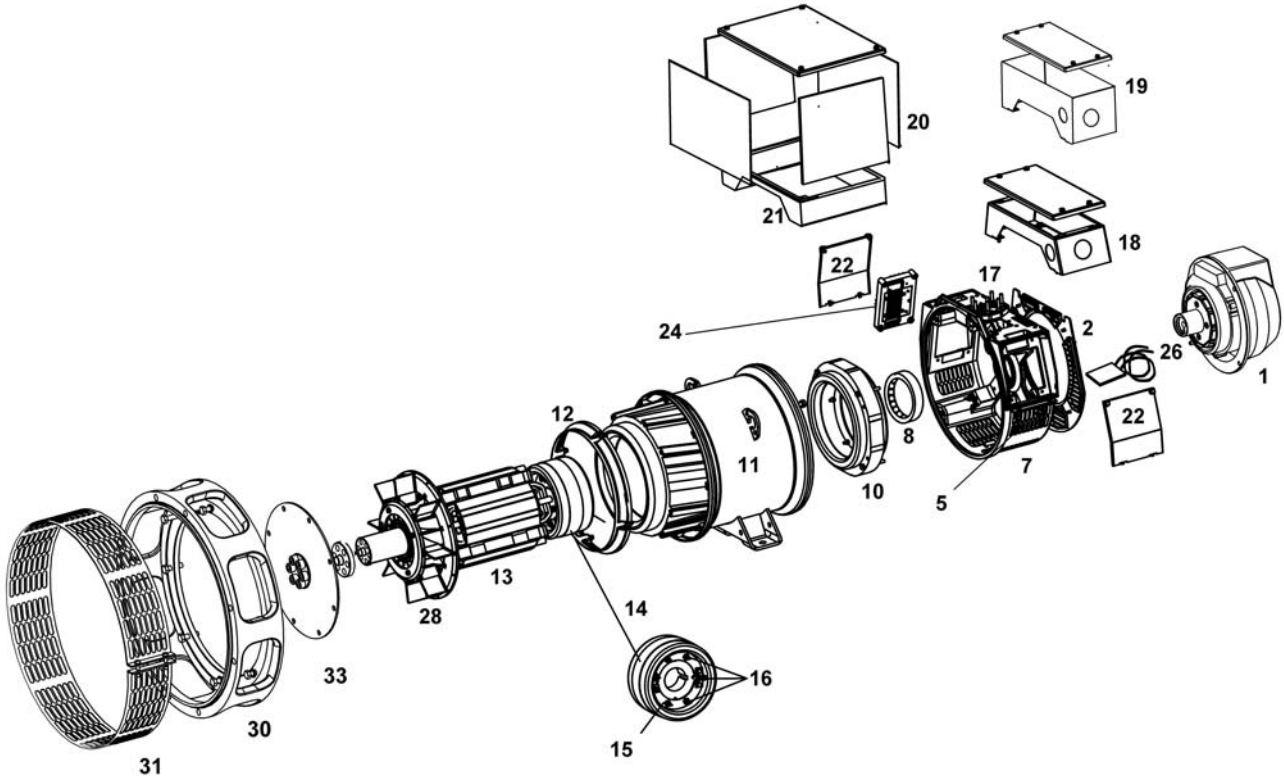


P0 One Bearing



<u>ITEM NO</u>	<u>DESCRIPTION</u>	<u>COMMON PARTS</u>	<u>QTY</u>
1	EBS UNIT (Standard)	45-1210	1
	EBS UNIT (Cummins PCC 1302)	45-1211	1
2	NDE COVER WITH EBS	191-10061	1
	NDE COVER WITHOUT EBS	191-10045	1
5	NDE ENDBRACKET BOTTOM COVER	190-10018	1
7	NDE ENDBRACKET	190-10025	1
8	BEARING KIT	45-0866	1
10	EXCITER STATOR 20MM (D E & F)	190-1038	1
	EXCITER STATOR 25MM (G & H)	190-1039	1
11	STATOR FRAME ASSY	Q.M.S.N.	1
12	AIR FLOW BAFFLE	191-10091	1
13	ROTOR SHAFT ASSY	Q.M.S.N.	1
14	EXCITER ROTOR 20MM (D E & F)	190-1040	1
	EXCITER ROTOR 20MM (G & H)	190-1041	1
15	ROTATING RECTIFIER ASSY	45-0427	1
16	DIODE FWD/REV & VARISTOR KIT	RSK-1101	1
17	TERMINAL BLOCK	191-10097	1
18	STANDARD TERMINAL BOX KIT	45-1165	1

19	MEDUIM TERMINAL BOX KIT	TBA	1
20	LARGE TERMINAL BOX KIT	45-1166	1
21	TERMINAL BOX PLINTH	45-1175	1
22	AVR COVER	190-10027	2
24	AVR AS480	E000-14800	1
26	HEATER KIT 230V	45-1161	1
	HEATER KIT 115V	45-1162	1
	HEATER KIT 24 V	45-1163	1
	HEATER KIT 12 V	45-1164	1
27	TERMINAL BOX FOR HEATERS	45-0024	1
28	FAN	191-10042	1
30	ADAPTOR KIT SAE 2	45-1190	1
	ADAPTOR KIT SAE 3	45-1191	1
	ADAPTOR KIT SAE 4	45-1192	1
	ADAPTOR KIT SAE 5	45-1193	1
31	ADAPTOR SCREEN	See Adaptor Kit	1
33	COUPLING KIT SAE 6.5	45-1170	1
	COUPLING KIT SAE 7.5	45-1171	1
	COUPLING KIT SAE 8	45-1172	1
	COUPLING KIT SAE 10	45-1173	1
	COUPLING KIT SAE 11.5	45-1174	1