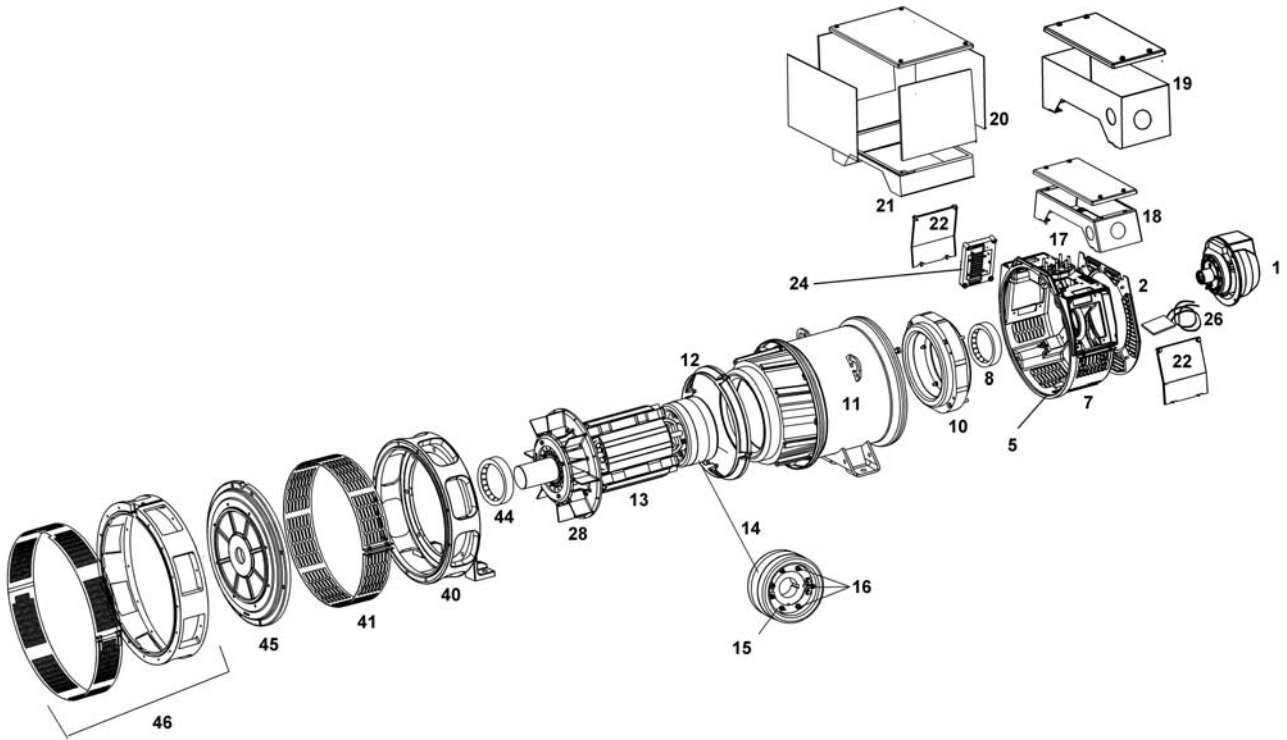


## P0 Two Bearing



<b>ITEM NO</b>	<b>DESCRIPTION</b>	<b>COMMON PARTS</b>	<b>QTY</b>
1	EBS UNIT	45-1210	1
	EBS UNIT (Cummins PCC 1302)	45-1211	1
2	NDE COVER WITH EBS	191-10061	1
2	NDE COVER WITHOUT EBS	191-10045	1
5	NDE ENDBRACKET BOTTOM COVER	190-10018	1
7	NDE ENDBRACKET	190-10025	1
8	BEARING KIT	45-0866	1
10	EXCITER STATOR 20MM (D E & F)	190-1038	1
10	EXCITER STATOR 25MM (G & H)	190-1039	1
11	STATOR FRAME ASSY	Q.M.S.N.	1
12	AIR FLOW BAFFLE	191-10091	1
13	ROTOR SHAFT ASSY	Q.M.S.N.	1
14	EXCITER ROTOR 20MM ( D E & F)	190-1040	1
14	EXCITER ROTOR 20MM ( G & H)	190-1041	1
15	ROTATING RECTIFIER ASSY	45-0427	1
16	DIODE FWD/REV & VARISTOR KIT	RSK-1101	1
17	TERMINAL BLOCK	191-10097	1
18	STANDARD TERMINAL BOX KIT	45-1165	1
19	MEDIUM TERMINAL BOX KIT	TBA	1
20	LARGE TERMINAL BOX KIT	45-1166	1
21	TERMINAL BOX PLINTH	45-1175	1

22	AVR COVER	190-10027	2
24	AVR AS480	E000-14800	1
26	HEATER KIT 230V	45-1161	1
	HEATER KIT 115V	45-1162	1
	HEATER KIT 24 V	45-1163	1
	HEATER KIT 12 V	45-1164	1
27	TERMINAL BOX FOR HEATERS	45-0024	1
28	FAN	191-10042	1
40	D E BRACKET	190-10043	1
41	D E SCREEN	190-10016	1
44	D E BEARING KIT	45-0363	1
45	DE ENDPLATE	190-10044	1
46	ADAPTOR SAE 2	45-1200	1
	ADAPTOR SAE 3	45-1201	1
	ADAPTOR SAE 4	45-1202	1
	ADAPTOR SAE 5	45-1203	1