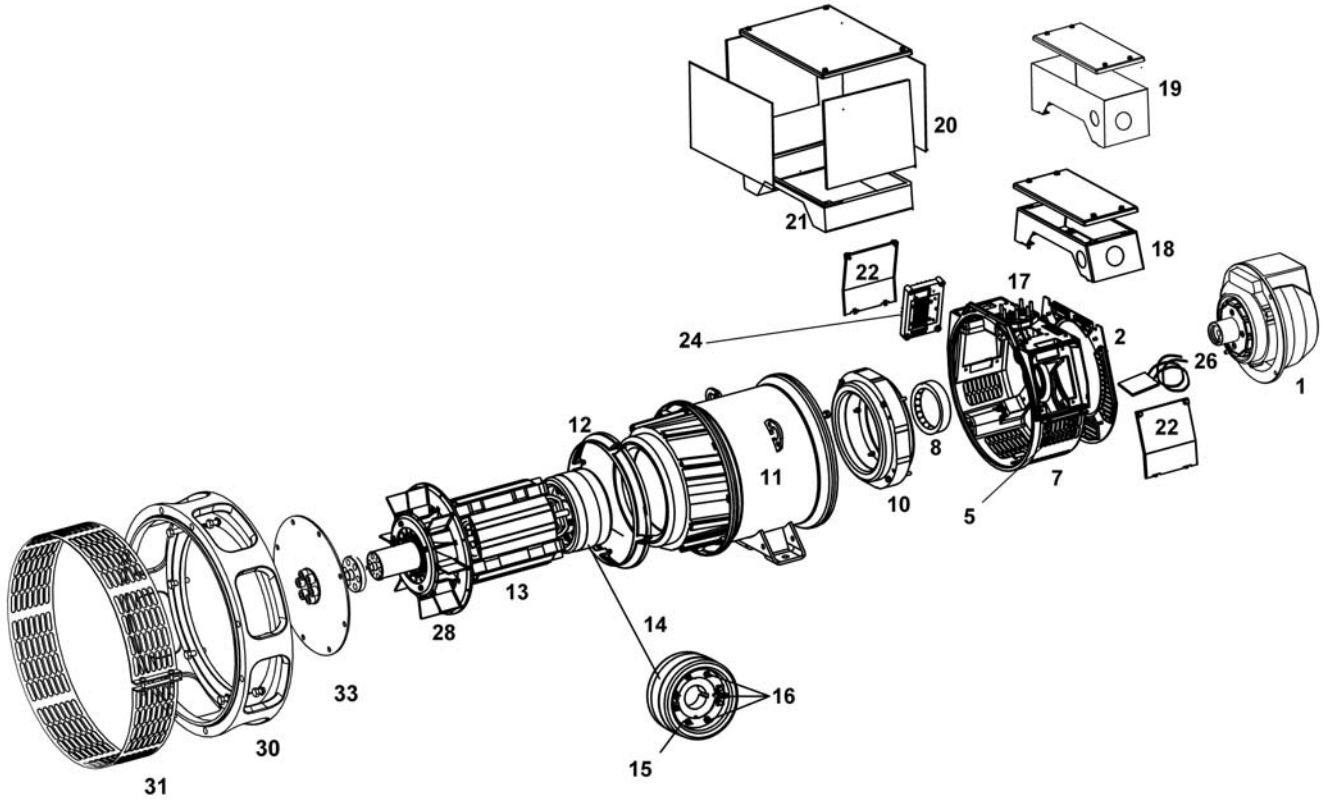


P1 One Bearing



<u>ITEM NO</u>	<u>DESCRIPTION</u>	<u>COMMON PARTS</u>	<u>QTY</u>
1	EBS UNIT	45-1210	1
	EBS UNIT (Cummins PCC 1302)	45-1211	1
2	NDE COVER WITH EBS	191-10061	1
	NDE COVER WITHOUT EBS	191-10045	1
5	NDE ENDBRACKET BOTTOM COVER D	190-10018	1
	NDE ENDBRACKET BOTTOM COVER E - K	191-10035	1
7	NDE ENDBRACKET D CORE	190-10025	1
	NDE ENDBRACKET E - K CORE	191-10055	1
8	BEARING KIT	45-0866	1
10	EXCITER STATOR 25MM D CORE	190-1039	1
	EXCITER STATOR 30MM E CORE	191-1067	1
	EXCITER STATOR 34MM F & G CORE	191-1068	1
	EXCITER STATOR 38MM H - K CORE	191-1069	1
11	STATOR FRAME ASSY	QMSN	1
12	AIR FLOW BAFFLE	191-10091	1
13	ROTOR SHAFT ASSY	QMSN	1
14	EXCITER ROTOR 25MM D CORE	190-1041	1
	EXCITER ROTOR 30MM E CORE	191-1072	1

	EXCITER ROTOR 34MM F & G CORE	191-1063	1
	EXCITER ROTOR 38MM H - K CORE	191-1064	1
15	ROTATING RECTIFIER ASSY	45-0472	1
16	DIODE FWD/REV & VARISTOR KIT	RSK-1101	1
17	TERMINAL BLOCK	191-10057	1
18	STANDARD TERMINAL BOX KIT (P1 D)	45-1165	1
18	STANDARD TERMINAL BOX KIT (P1 E - K)	45-1168	1
19	MEDIUM TERMINAL BOX KIT (CPGK Only)	45-1169	1
20	LARGE TERMINAL BOX KIT (P1 D)	45-1166	1
20	LARGE TERMINAL BOX KIT (P1 E - K)	45-1167	1
21	TERMINAL BOX PLINTH (P1 D)	45-1175	1
21	TERMINAL BOX PLINTH (P1 E - K)	45-1176	1
22	AVR COVER D CORE	190-10027	2
	AVR COVER E - K CORE	191-10056	2
24	AVR AS480	E000-14800	1
26	HEATER KIT 230V	45-1161	1
	HEATER KIT 115V	45-1162	1
	HEATER KIT 24 V	45-1163	1
	HEATER KIT 12 V	45-1164	1
27	TERMINAL BOX FOR HEATERS	45-0024	1
28	FAN 290 MM D - G CORE	191-10042	1
	FAN 344 MM H - K CORE	191-10059	1
30	ADAPTOR KIT SAE 2	45-1190	1
	ADAPTOR KIT SAE 3	45-1191	1
	ADAPTOR KIT SAE 4	45-1192	1
	ADAPTOR KIT SAE 5	45-1193	1
31	ADAPTOR SCREEN	See Adaptor Kit	1
33	COUPLING KIT SAE 6.5	45-1170	1
	COUPLING KIT SAE 7.5	45-1171	1
	COUPLING KIT SAE 8	45-1172	1
	COUPLING KIT SAE 10	45-1173	1
	COUPLING KIT SAE 11.5	45-1174	1