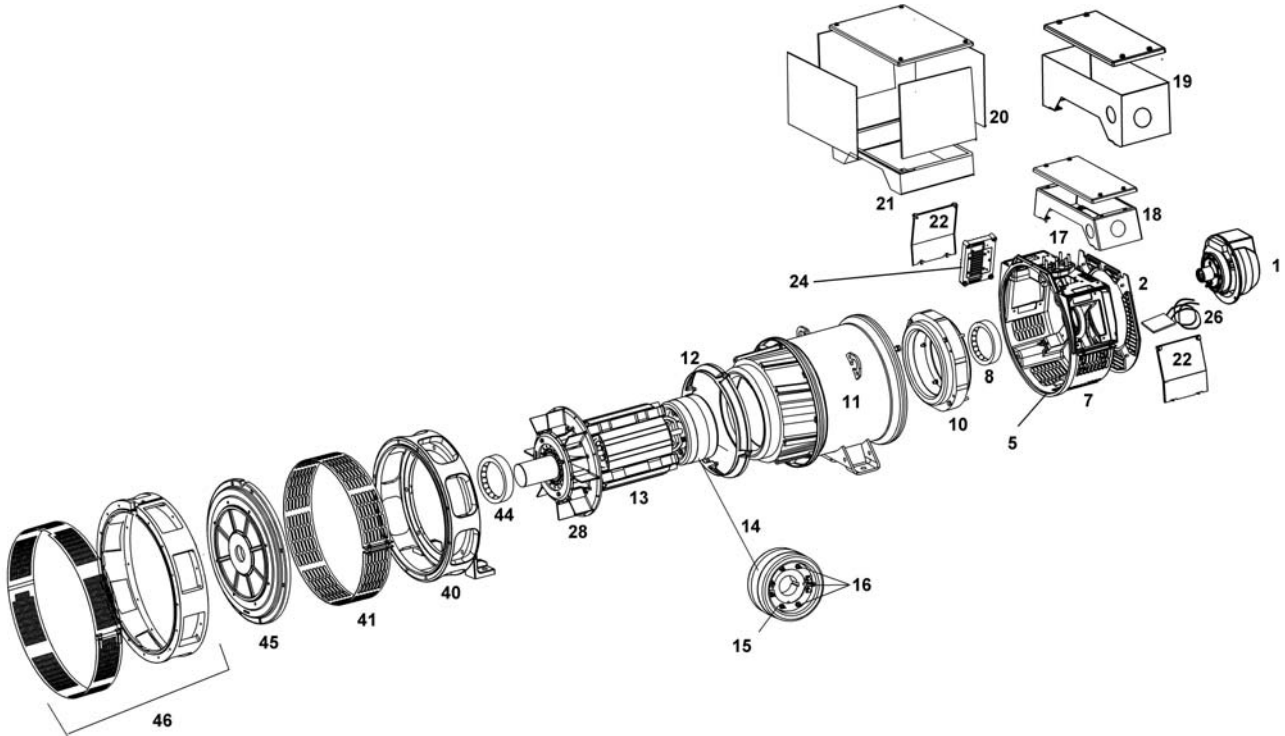


## P1 Two Bearing



| <u>ITEM NO</u> | <u>DESCRIPTION</u>                | <u>COMMON PARTS</u> | <u>QTY</u> |
|----------------|-----------------------------------|---------------------|------------|
| 1              | EBS UNIT                          | 45-1210             | 1          |
|                | EBS UNIT (Cummins PCC 1302)       | 45-1211             | 1          |
| 2              | NDE COVER WITH EBS                | 191-10061           | 1          |
|                | NDE COVER WITHOUT EBS             | 191-10045           | 1          |
| 5              | NDE ENDBRACKET BOTTOM COVER D     | 190-10018           | 1          |
|                | NDE ENDBRACKET BOTTOM COVER F - K | 191-10035           | 1          |
| 7              | NDE ENDBRACKET D CORE             | 190-10025           | 1          |
|                | NDE ENDBRRACKET E - K CORE        | 191-10055           | 1          |
| 8              | BEARING KIT                       | 45-0866             | 1          |
| 10             | EXCITER STATOR 25MM D CORE        | 190-1039            | 1          |
|                | EXCITER STATOR 30MM E CORE        | 191-1067            | 1          |
|                | EXCITER STATOR 34MM F & G CORE    | 191-1068            | 1          |
|                | EXCITER STATOR 38MM H - K CORE    | 191-1069            | 1          |
| 11             | STATOR FRAME ASSY                 | QMSN                | 1          |
| 12             | AIR FLOW BAFFLE                   | 191-10091           | 1          |
| 13             | ROTOR SHAFT ASSY                  | QMSN                | 1          |
| 14             | EXCITER ROTOR 25MM D CORE         | 190-1041            | 1          |
|                | EXCITER ROTOR 30MM E CORE         | 191-1072            | 1          |
|                | EXCITER ROTOR 34MM F & G CORE     | 191-1063            | 1          |

|    |                                      |            |   |
|----|--------------------------------------|------------|---|
|    | EXCITER ROTOR 38MM H - K CORE        | 191-1064   | 1 |
| 15 | ROTATING RECTIFIER ASSY              | 45-0472    | 1 |
| 16 | DIODE FWD/REV & VARISTOR KIT         | RSK-1101   | 1 |
| 17 | TERMINAL BLOCK                       | 191-10057  | 1 |
| 18 | STANDARD TERMINAL BOX KIT ( P1 D)    | 45-1165    | 1 |
|    | STANDARD TERMINAL BOX KIT (P1 E - K) | 45-1168    | 1 |
| 19 | MEDIUM TERMINAL BOX KIT (CPGK Only)  | 45-1169    | 1 |
| 20 | LARGE TERMINAL BOX KIT (P1 D)        | 45-1166    | 1 |
|    | LARGE TERMINAL BOX KIT (P1 E - K)    | 45-1167    | 1 |
| 21 | TERMINAL BOX PLINTH (P1 D)           | 45-1175    | 1 |
|    | TERMINAL BOX PLINTH (P1 E - K)       | 45-1176    | 1 |
| 22 | AVR COVER D CORE                     | 190-10027  | 2 |
|    | AVR COVER E - K CORE                 | 191-10056  | 2 |
| 24 | AVR AS480                            | E000-14800 | 1 |
| 26 | HEATER KIT 230V                      | 45-1161    | 1 |
|    | HEATER KIT 115V                      | 45-1162    | 1 |
|    | HEATER KIT 24 V                      | 45-1163    | 1 |
|    | HEATER KIT 12 V                      | 45-1164    | 1 |
| 27 | TERMINAL BOX FOR HEATERS             | 45-0024    | 1 |
| 28 | FAN 290 MM D - G CORE                | 191-10042  | 1 |
|    | FAN 344 MM H - K CORE                | 191-10059  | 1 |
| 40 | D E BRACKET                          | 191-10119  | 1 |
| 41 | D E SCREEN                           | 191-10029  | 1 |
| 44 | D E BEARING KIT                      | 45-0363    | 1 |
| 45 | DE ENDPLATE D - G                    | 191-10129  | 1 |
|    | DE ENDPLATE H - K                    | 191-10121  | 1 |
| 46 | ADAPTOR SAE 2                        | 45-1200    | 1 |
|    | ADAPTOR SAE 3                        | 45-1201    | 1 |
|    | ADAPTOR SAE 4                        | 45-1202    | 1 |
|    | ADAPTOR SAE 5                        | 45-1203    | 1 |