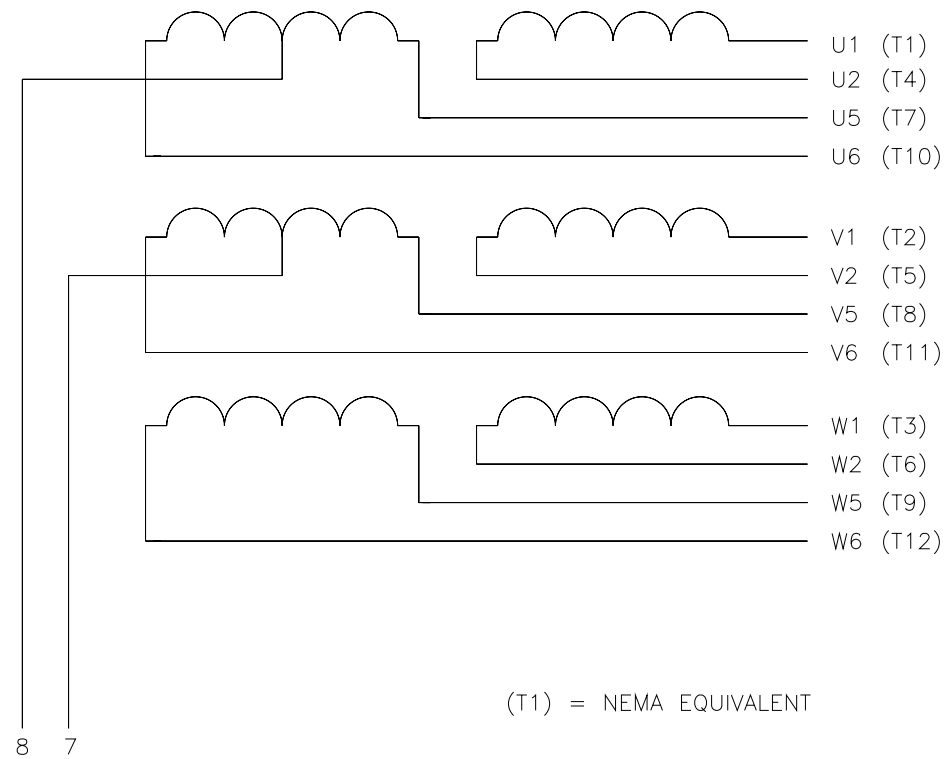
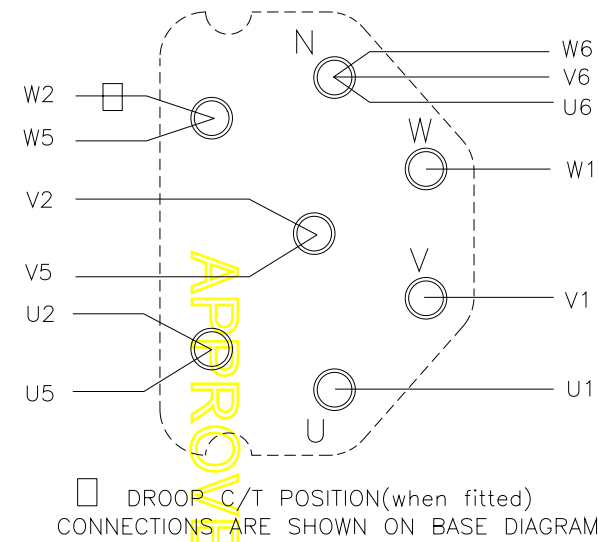


MAIN STATOR (12 ENDS)

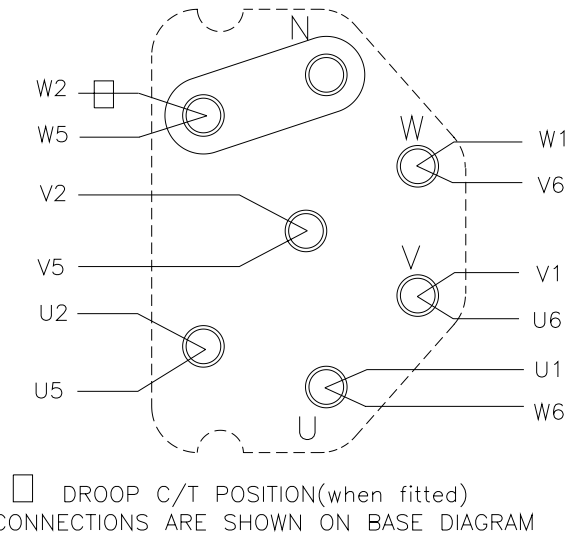


MAIN TERMINAL CONNECTIONS

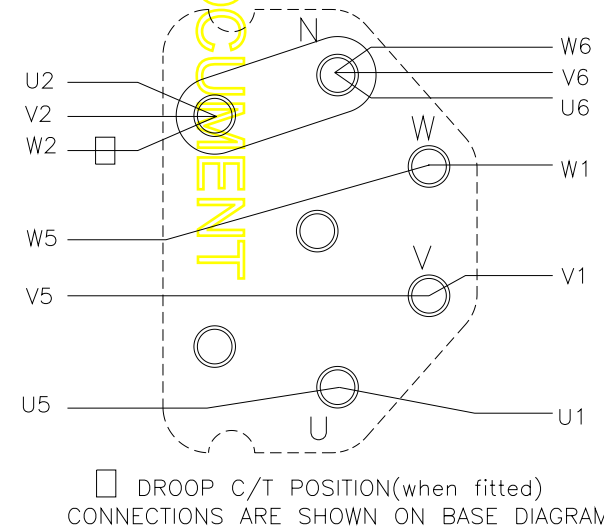
SERIES STAR 3PH 4W
OUTPUT TERMINALS U.V.W.N.



SERIES DELTA 3PH 4W
OUTPUT TERMINALS U.V.W.N.



PARALLEL STAR 3PH 4W
OUTPUT TERMINALS U.V.W.N.



CONNECTION DIAGRAM

CERTIFIED PRINT (ONLY IF SIGNED)	FRAME PO/P1 CONTROL SERIES ---	OTHER FEATURES WITH STATOR TAPS 7 and 8
BY	POLES	
DATE	No. OF ENDS 12	
DRAWN AV 02:06:09	SENSING 2 PHASE	
CH'D AV 02:06:09	CUMMINS GENERATOR TECHNOLOGIES LTD.	A12-A101
APP'D JKB 02:06:09		ISSUE A
		SHEET 1 OF 1 SHEETS

4-9667-79	A	AV	02:06:09	ORIGINAL ISSUE
MOD.	ISS.	DRN.	DATE	ALTERATION