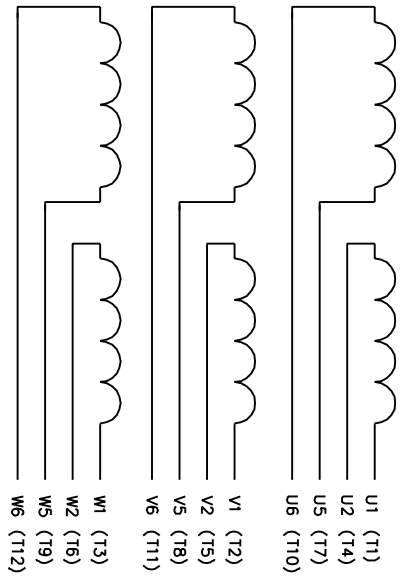


MAIN STATOR (12 ENDS)

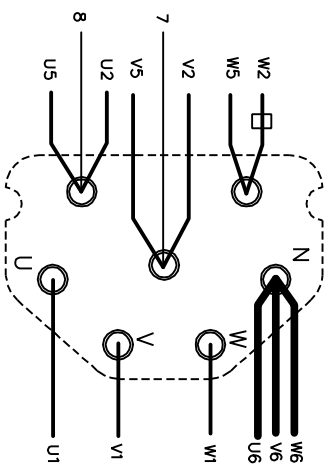


(T1) = NEMA EQUIVALENT

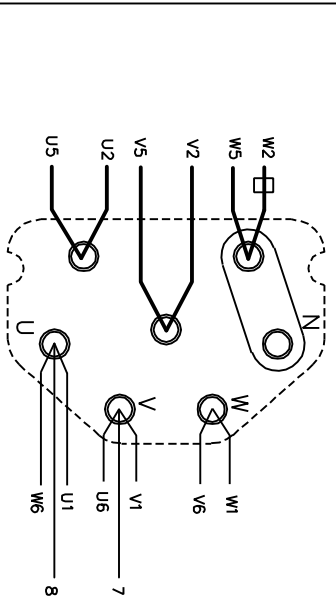
APPROVED PARALLEL STAR 3PH 4W OUTPUT TERMINALS U.V.W.N.

MAIN TERMINAL CONNECTIONS

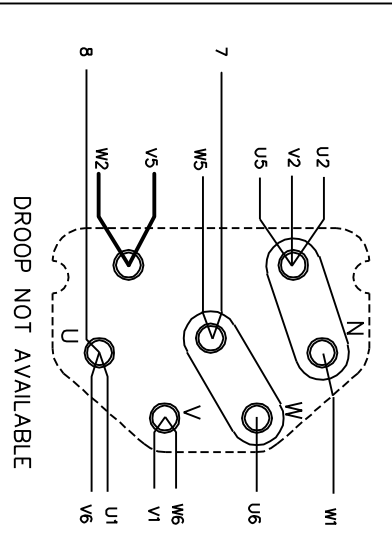
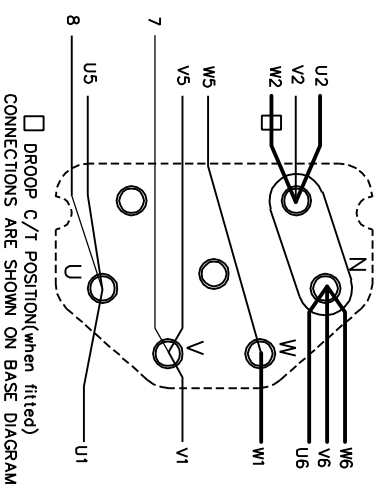
SERIES STAR 3PH 4W
 OUTPUT TERMINALS U.V.W.N.



SERIES DELTA 3PH 4W
 OUTPUT TERMINALS U.V.W.N.



DOUBLE DELTA 1PH 3 WIRE
 OUTPUT TERMINALS HIGH VOLTS U.V.
 LOW VOLTS U.N. AND W.N.



CONNECTION DIAGRAM

CERTIFIED PRINT (ONLY IF SIGNED)	FRAME PO/P1	OTHER FEATURES
BY	CONTROL SERIES	
DATE	No. OF ENDS	
DRAWN	M.C. 30.04.07	PHASE
CH'D	SMH 30.04.07	CUMMINS GENERATOR TECHNOLOGIES LTD.
APP'D	MJW 30.04.07	
A12-A100		ISSUE A
SHEET 1 OF 1		SHEETS

4-8440-54	A	M.C.	30.04.07	ORIGINAL ISSUE
MOD.	ISS.	DRN.	DATE	ALTERATION