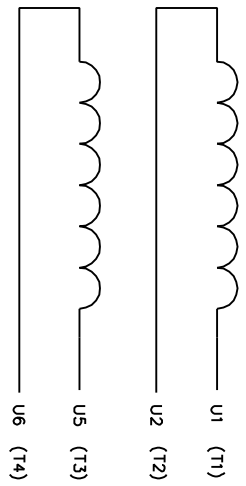


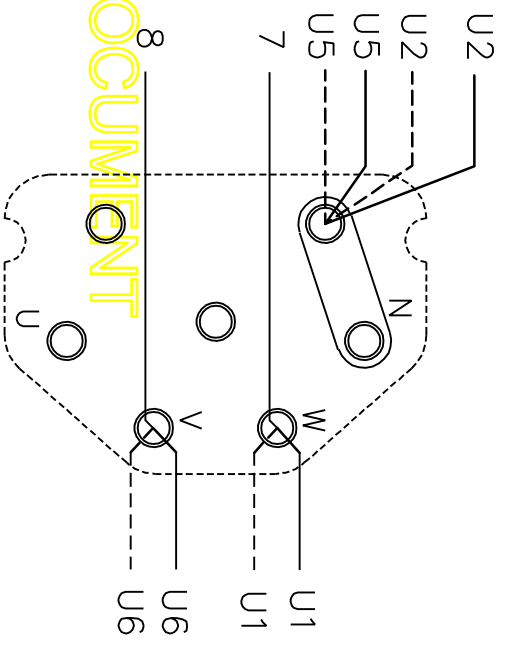
MAIN STATOR (4 ENDS)



(T1) = NEMA EQUIVALENT

MAIN TERMINAL CONNECTIONS

SERIES 1PH 3W  
 V - W = 220...240V  
 V - N, W - N = 110...120V



APPROVED DOCUMENT

THE ABOVE EXAMPLE SHOWS THE CONNECTION FOR AN 8 LEAD STATOR - 4 LEAD STATOR CONNECTION AS CONTINUOUS LINES ONLY

CONNECTION DIAGRAM

CERTIFIED PRINT	FRAME	PO/P1	OTHER FEATURES
(ONLY IF SIGNED)	CONTROL	SERIES	----
BY	POLES		
DATE	No. OF ENDS		
DRAWN	M.C.	21/06/07	SENSING 2 PHASE
CHK'D	AV	30:01:08	CUMMINS GENERATOR
APP'D	MJW	30:01:08	TECHNOLOGIES LTD.

4-9346-40	C	AV	30:01:08	PARALLEL 1PH 2W example removed
4-9111-23	B	AV	18:07:07	V - W = 220...240V and V - N, W - N = 110...120V odded
4-8440-54	A	M.C.	21:06:07	ORIGINAL ISSUE
MOD.	ISS.	DRN.	DATE	ALTERATION