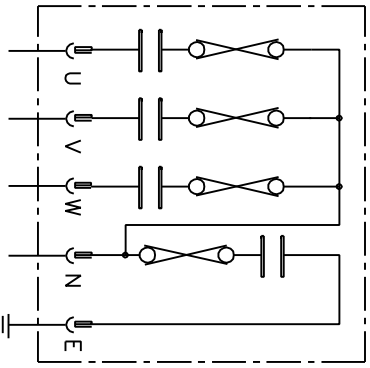


R.F.I./E.M.I. SUPPRESSION



CONNECTIONS (SEE TABLE)
APPROVED DOCUMENT

CONNECTION TABLE

MACHINE VOLTAGE	AUX TERMINALS			MAIN TERMINALS				
	6	7	8	U	V	W	U1	U6
6/12 ENDS UP TO 500V				U	V	W	N	
6/12 ENDS ABOVE 600V	W	V	U				N	
4 ENDS UP TO 300V							U	N
12 ENDS DOUBLE DELTA				U		W	N	

ACCESSORY DIAGRAM

4-9346-66	B	TC	13/03/08	PICTORIALLY UPDATED TO MATCH PCB. (U, V & W FUSES & CAPACITORS REVERSED)
4-8440-54	A	M.C.	01.05.07	ORIGINAL ISSUE
MOD.	ISS	DRN.	DATE	ALTERATION

CERTIFIED PRINT (ONLY IF SIGNED)	FRAME	PO/P1	OTHER FEATURES
BY	CONTROL	SERIES	
DATE	No. OF ENDS ----		
DRAWN	M.C.	01.05.07	SENSING ---- PHASE ----
CHK'D	SMH	01.05.07	CUMMINS GENERATOR
APP'D	MJW	01.05.07	TECHNOLOGIES LTD.

A12-E10	ISSUE B
SHEET 1 OF 1	SHEETS 1 SHEETS